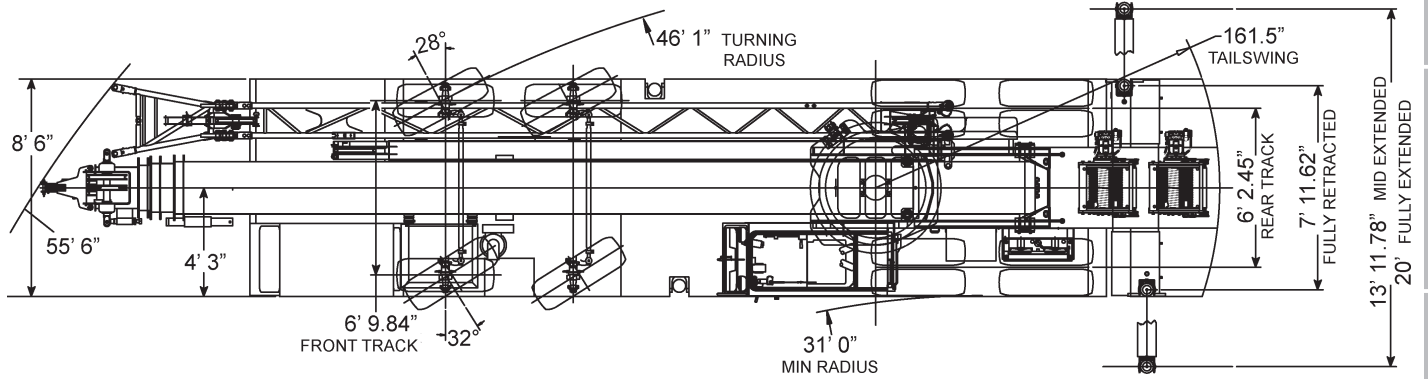
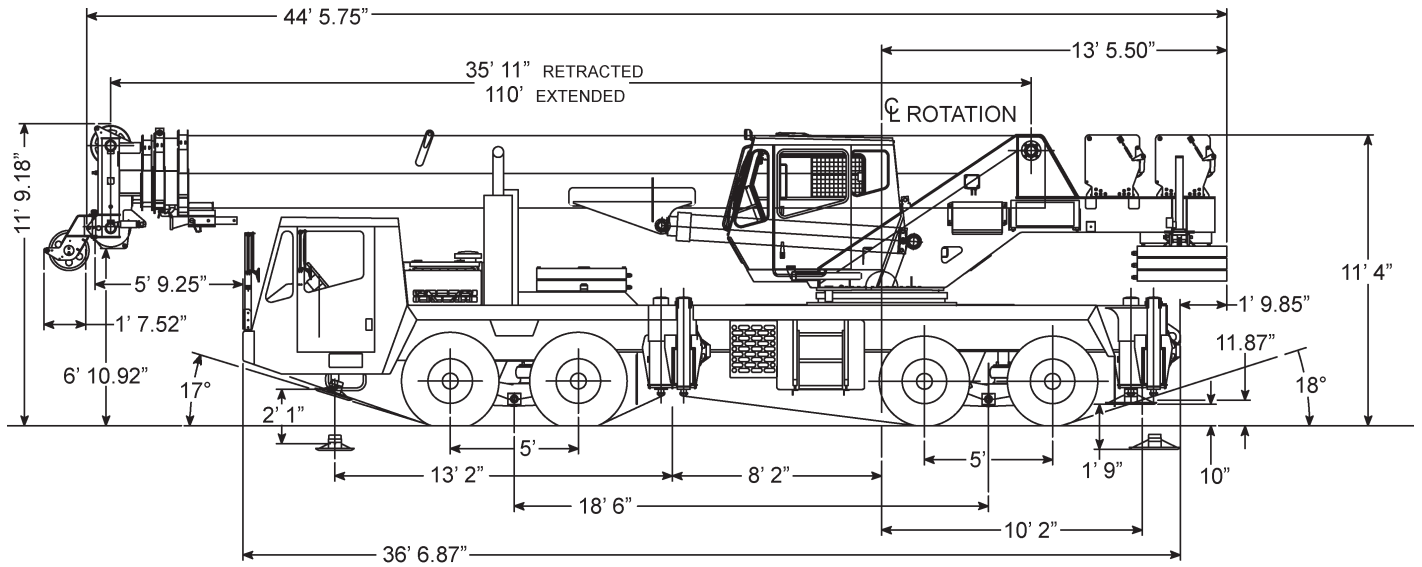
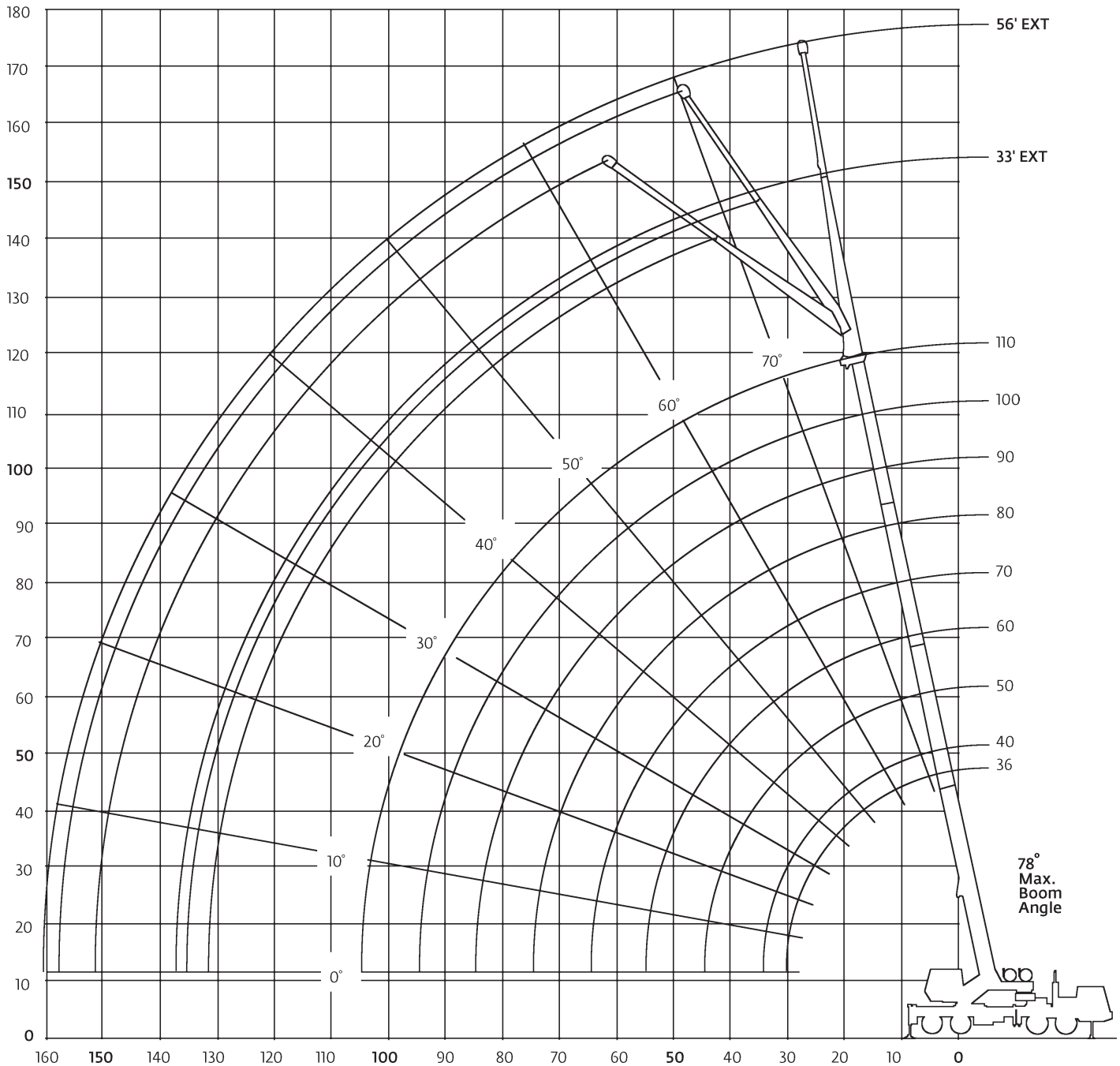


All information given are for reference only.






**36-110 ft**

**16,500 lbs**

**18'4"x20'**

**360°**
**85**
**85%**

ft	36	40	50	60*	70	80	90	100	110	ft
10	120	84.4	80.2	62.5						10
12	100	84.4	80.2	62.5	36.8					10
15	87.3	82.7	80.2	61	36.8	36.8	31			15
20	68.25	65	64.3	50.65	36.8	36.8	31	29.1	24	20
25	54.9	53.1	52	41.8	36.8	34	30	27	24	25
30		39.35	38.7	37.85	33.4	29	25.3	24.2	22	30
35			29.4	28.4	28.7	25	22.2	21.75	20	35
40			23.05	22.1	22.75	22	20.2	19	18.5	40
45				17.55	18.25	18.8	17.8	17.3	17.3	45
50				14.05	14.85	15.6	16	16	16	50
55					12.2	12.95	13.65	14.1	14.1	55
60					10.05	10.85	11.6	12	12.2	60
65						9.11	9.9	10.25	10.6	65
70						7.65	8.45	8.82	9	70
75							7.21	7.58	7.8	75
80							6.15	6.49	6.6	80
85								5.55	5.8	85
90								4.73	5	90
95									4.27	95
100									3.6	100

\*60 ft. boom length is with inner-mid extended and outer-mid & fly retracted.

All information given are for reference only.

# Hydraulic Truck Cranes

Grove TMS 700 E



**60 t**



**110 ft**



**33/56 ft**



**16,500 lbs**



**18'4"x20'**



**360°**

**85**

**85%**

ft	33			56			ft
	5°	25°	45°	5°	25°	45°	
30	12.9						30
35	12.9			8.33			35
40	12.9	10.85		8.33			40
45	12.9	10.45	7.41	8.33			45
50	12.1	10	7.2	8.33			50
55	11.1	9.22	6.99	8.25	5.3		55
60	10.1	8.55	6.8	7.54	5.14		60
65	9.13	7.93	6.65	7.16	5.1	3.86	65
70	8.46	7.38	6.49	6.82	5.1	3.79	70
75	7.84	6.9	6.37	6.3	4.8	3.66	75
80	7.23	6.47	6.11	5.81	4.58	3.55	80
85	6.47	6.07	5.78	5.37	4.47	3.45	85
90	5.67	5.72	5.48	4.98	4.33	3.41	90
95	4.97	5.4	5.2	4.63	4.07	3.3	95
100	4.35	4.84	4.95	4.32	3.83	3.26	100
105	3.79	4.21	4.47	4.04	3.62	3.22	105
110	3.29	3.64		3.76	3.41	3.18	110
115	2.83	3.13		3.29	3.23	3.06	115
120	2.42	2.66		2.86	3.05	2.94	120
125	2.04	2.24		2.47	2.89	2.8	125
130	1.7			2.12	2.59		130
135				1.79	2.2		135
140				1.48	1.84		140
145				1.2	1.5		145