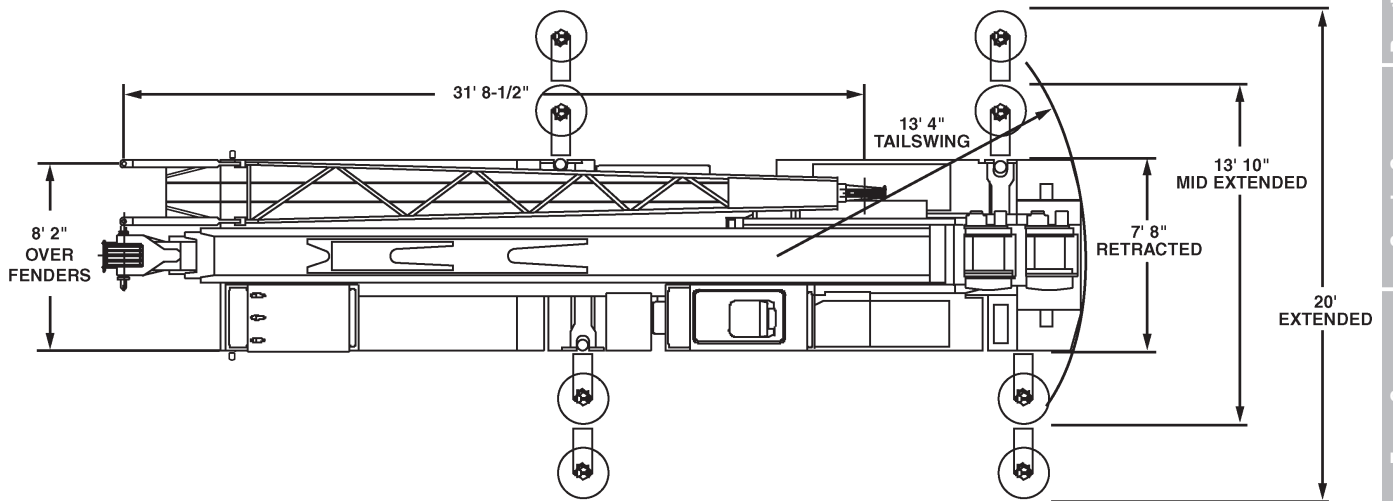
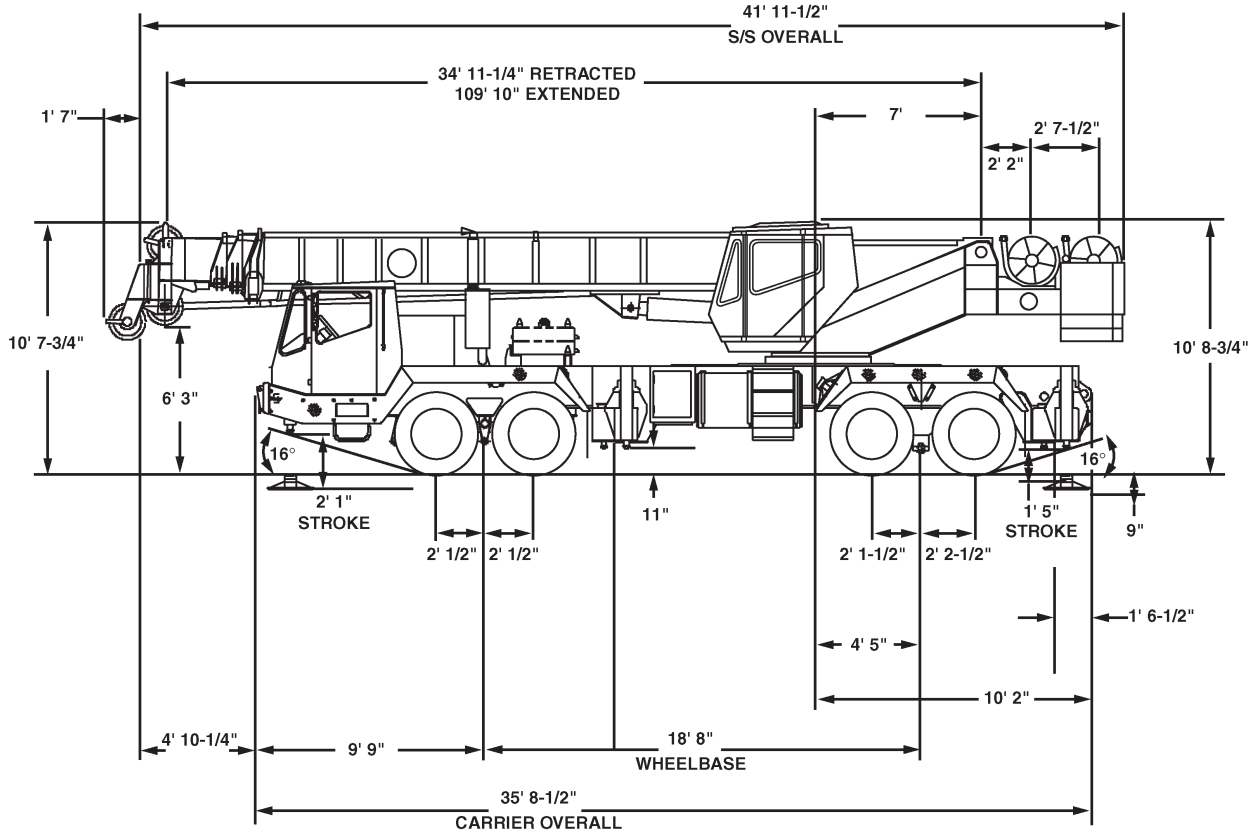


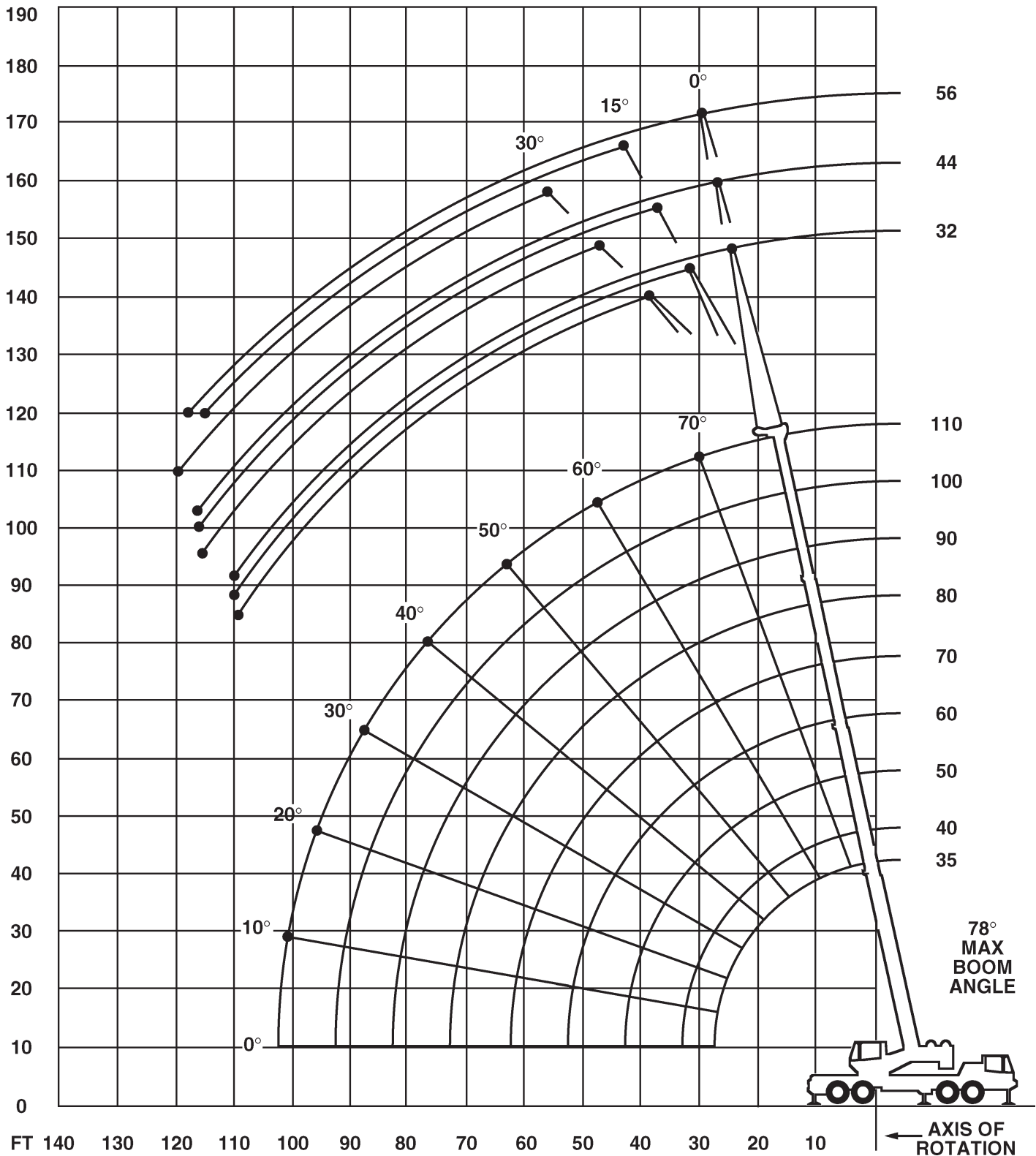
All information given are for reference only.



50 t

Hydraulic Truck Cranes

Grove TMS 700 B




35-110 ft

7,800 lbs

18'10" x 20'

360°
85
85%

ft	35	40	50	60*	70	80	90	100	110	ft
9	100**									9
9	90									9
10	80	68	58.15							10
12	67.4	63.8	55.45	44.6						10
15	58.05	54.7	48.05	42.25	35.6	33				15
20	44.95	43	39.4	33.6	30.5	28	25.5	23.3		20
25	35.2	35.05	32.4	27.75	25.2	23.8	22	20.4	18.5	25
30		28.4	27.15	23.35	21.1	20.4	19.3	17.55	15.75	30
35			21.65	20	18.05	17.4	16.4	15.2	13.65	35
40			17.2	16.85	15.65	15.05	14.15	13.3	12	40
45				13.35	13.6	13.2	12.35	11.55	10.6	45
50				10.65	11.45	11.6	10.85	10.1	9.5	50
55					9.4	10	9.63	8.95	8.47	55
60					7.76	8.3	8.57	7.95	7.5	60
65						6.9	7.34	7.08	6.67	65
70						5.74	6.19	6.33	5.94	70
75							5.22	5.55	5.3	75
80							4.38	4.72	4.74	80
85								4	4.23	85
90								3.38	3.625	90
95									3.06	95
100									2.57	100

* 60 ft. boom length is with inner-mid extended and outer-mid & fly retracted.

** over rear

All information given are for reference only.

Hydraulic Truck Cranes

Grove TMS 700 B



50 t



110 ft



32/44/56 ft



7,800 lbs



18'10" x 20'



360°

85

85%

ft	32			44			56			ft
	5°	15°	30°	5°	15°	30°	5°	15°	30°	
30	9.5									30
35	8.71	7.5*		7.32						35
40	8	7.07	5.8*	6.88			5.56			40
45	7.34	6.76	5.69	6.49	5.06		5.25			45
50	6.74	6.47	5.44	6.14	4.84	3.77*	4.97	3.9		50
55	6.19	6.21	5.21	5.82	4.65	3.6	4.71	3.74		55
60	5.5	5.97	5.01	5.53	4.46	3.45	4.48	3.6	2.65	60
65	4.85	5.28	4.82	5.22	4.3	3.32	4.27	3.41	2.54	65
70	4.27	4.67	4.65	4.64	4.14	3.19	4.07	3.22	2.43	70
75	3.74	4.11	4.42	4.11	3.94	3.07	3.89	3.05	2.34	75
80	3.26	3.6	3.88	3.64	3.75	2.97	3.72	2.89	2.25	80
85	2.81	3.12	3.38	3.2	3.57	2.87	3.53	2.75	2.17	85
90	2.41	2.69	2.92	2.8	3.19	2.78	3.13	2.62	2.1	90
95	2.03	2.29	2.49	2.43	2.79	2.7	2.76	2.5	2.03	95
100	1.69	1.92	2.1	2.08	2.42	2.63	2.42	2.39	1.97	100
105	1.37	1.58	1.73	1.77	2.07	2.32	2.11	2.29	1.91	105
110	1.07	1.25	1.38	1.47	1.75	1.97	1.82	2.18	1.86	110
115				1.2	1.45	1.64	1.54	1.88	1.81	115
120							1.29	1.6	1.67	120