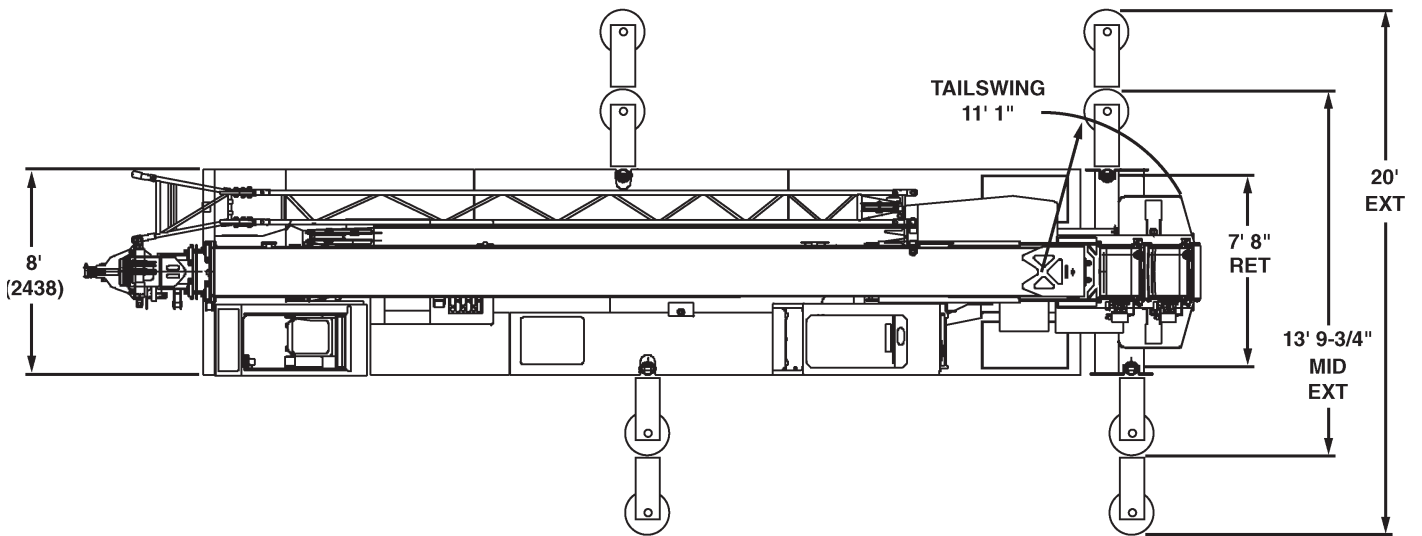
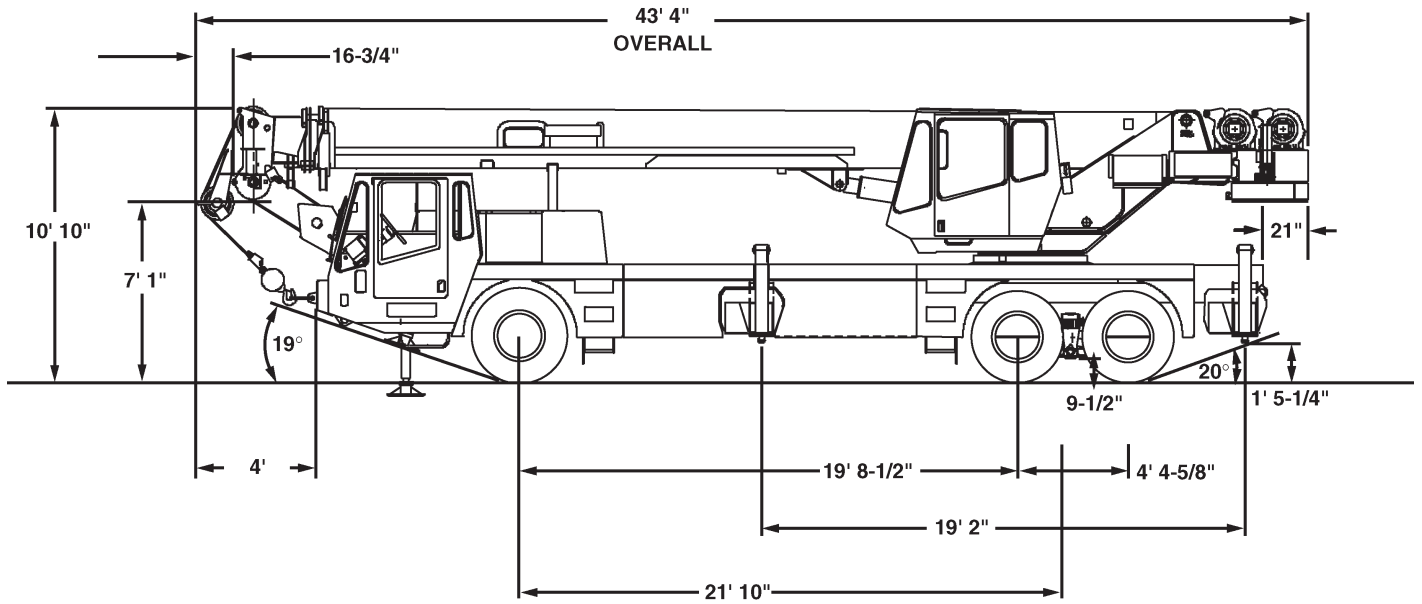
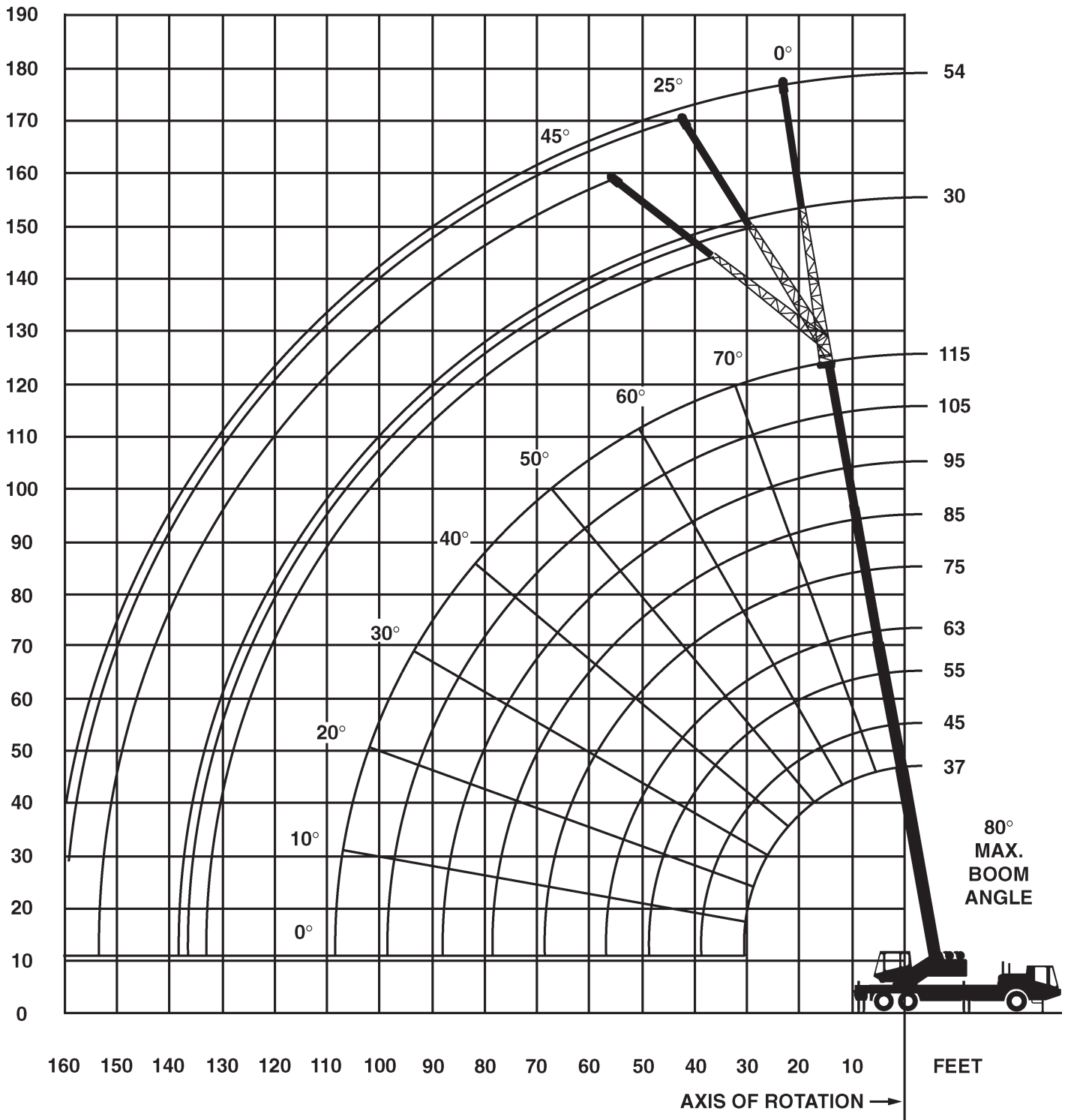


All information given are for reference only.






37-115 ft

6,000 lbs

19'2"x20'

360°
85
85%

ft	37	45	55	63	75	85	95	105	115	ft
10	80	71.5	58.2	49.05						10
12	62	59.9	51.55	46.2	33.75					12
15	50	50	43.8	39.05	33.75	31.75				15
20	37.5	37.5	34.25	30.5	28.4	26.15	23.6	21.8		20
25	28	28	26.2	24.6	23.4	22.05	19.95	18.45	15.05	25
30	19.8	19.45	18.75	18.2	18.95	18.5	17.1	15.85	15.05	30
35		14.15	13.65	13.15	13.9	14.55	14.9	13.8	13.15	35
40			10.2	9.8	10.5	11.15	11.65	12.15	11.6	40
45			7.68	7.35	8.11	8.73	9.17	9.63	10.05	45
50				5.46	6.3	6.92	7.31	7.72	8.14	50
55				3.99	4.84	5.5	5.86	6.24	6.62	55
60					3.66	4.36	4.71	5.05	5.41	60
65					2.69	3.39	3.76	4.08	4.41	65
70						2.58	2.94	3.27	3.59	70
75						1.89	2.24	2.58	2.89	75
80							1.63	1.96	2.29	80
85							1.11	1.43	1.74	85
90									1.27	90

All information given are for reference only.

Hydraulic Truck Cranes

Grove TMS 540



40 t



115 ft



30/54 ft



6,000 lbs



19'2"x20'



360°

85

85%

ft	0°	30 25°	45°	0°	54 25°	45°	ft
30	8.51						30
35	8.51						35
40	8.51	8		5.01			40
45	7.45	7.9	4.5	5.01			45
50	6.56	7.34	4.41	5.01			50
55	5.8	6.5	4.34	5.01			55
60	5.14	5.77	4.27	5.01	3.84		60
65	4.56	5.13	4.22	4.47	3.64		65
70	4.02	4.57	4.17	3.99	3.49	2.2	70
75	3.28	3.93	4.13	3.57	3.34	2.1	75
80	2.65	3.13	3.49	3.06	3.22	2.05	80
85	2.1	2.57	2.87	2.53	3.1	2	85
90	1.62	2.07	2.29	2.08	2.92	1.97	90
95	1.19	1.63	1.77	1.67	2.44	1.94	95
100		1.21		1.31	2.02	1.92	100
105					1.64	1.91	105
110					1.29	1.57	110