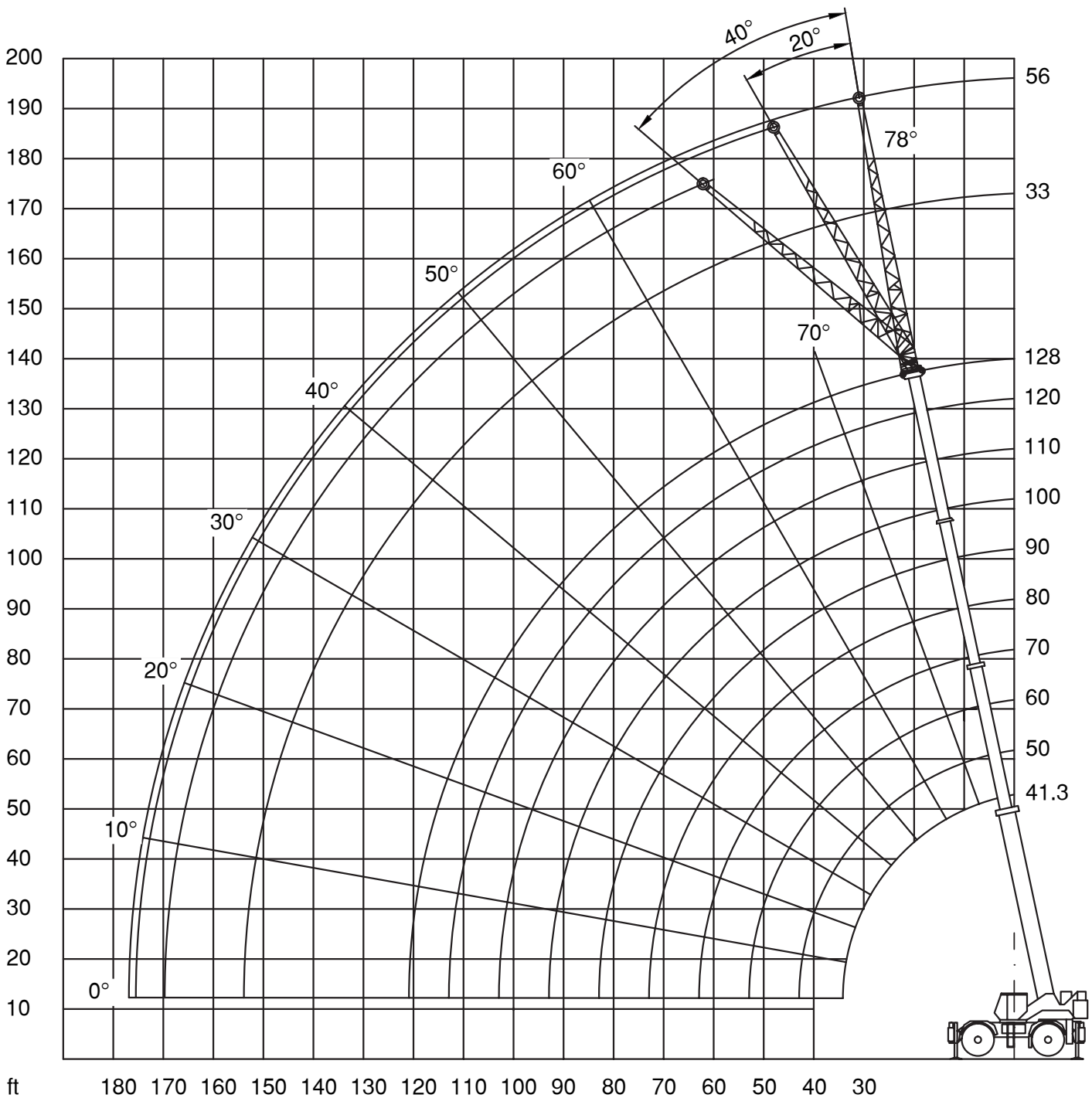


All information given are for reference only.

**80 t**



ft 180 170 160 150 140 130 120 110 100 90 80 70 60 50 40 30


**41.3-128 ft**

**18,000 lbs**

**24'8"x24'**

**360°**
**85**
**85%**

ft	41.3	50	60	70*	80	90	100	110	120	128	ft
10	160	124	105.5								10
12	150	124	105.5	59.5							12
15	130	124	104	59.5	42.1	42					15
20	100	99.85	85.9	59.5	42.1	42	39.65	31.95			20
25	80.55	80.25	72.55	57.05	42.1	42	39.65	31.95	25.75	22	25
30	59.05	58.15	57.85	49.3	42.1	39.05	36.15	31.95	25.75	22	30
35		43.25	43	42.6	38.15	34.1	31.35	29.3	25.75	22	35
40		33.6	33.4	32.95	33.75	30.05	27.5	25.65	23.9	22	40
45			26.6	26.2	27.4	26.75	24.4	22.7	21.45	20.65	45
50			21.6	21.15	22.45	23.25	21.85	20.25	19.1	18.35	50
55				17.25	18.65	19.4	19.7	18.2	17.1	16.4	55
60				14.2	15.6	16.4	17.05	16.45	15.45	14.75	60
65					13.1	13.85	14.55	14.95	14	13.35	65
70					11.05	11.8	12.45	12.9	12.7	12.15	70
75						10	10.7	11.2	11.6	11.05	75
80						8.54	9.17	9.67	10.15	10.1	80
85							7.86	8.36	8.85	9.18	85
90							6.71	7.21	7.7	8.05	90
95								6.2	6.7	7.05	95
100								5.31	5.8	6.16	100
105									5.01	5.36	105
110									4.29	4.64	110
115										4	115
120										3.41	120

\*This boom length is with inner-mid fully extended and outer-mid & fly fully retracted.

All information given are for reference only.

# Rough Terrain Cranes

Grove RT 880 E



**80 t**



**128 ft**



**33/56 ft**



**18,000 lbs**



**24'8"x24'**



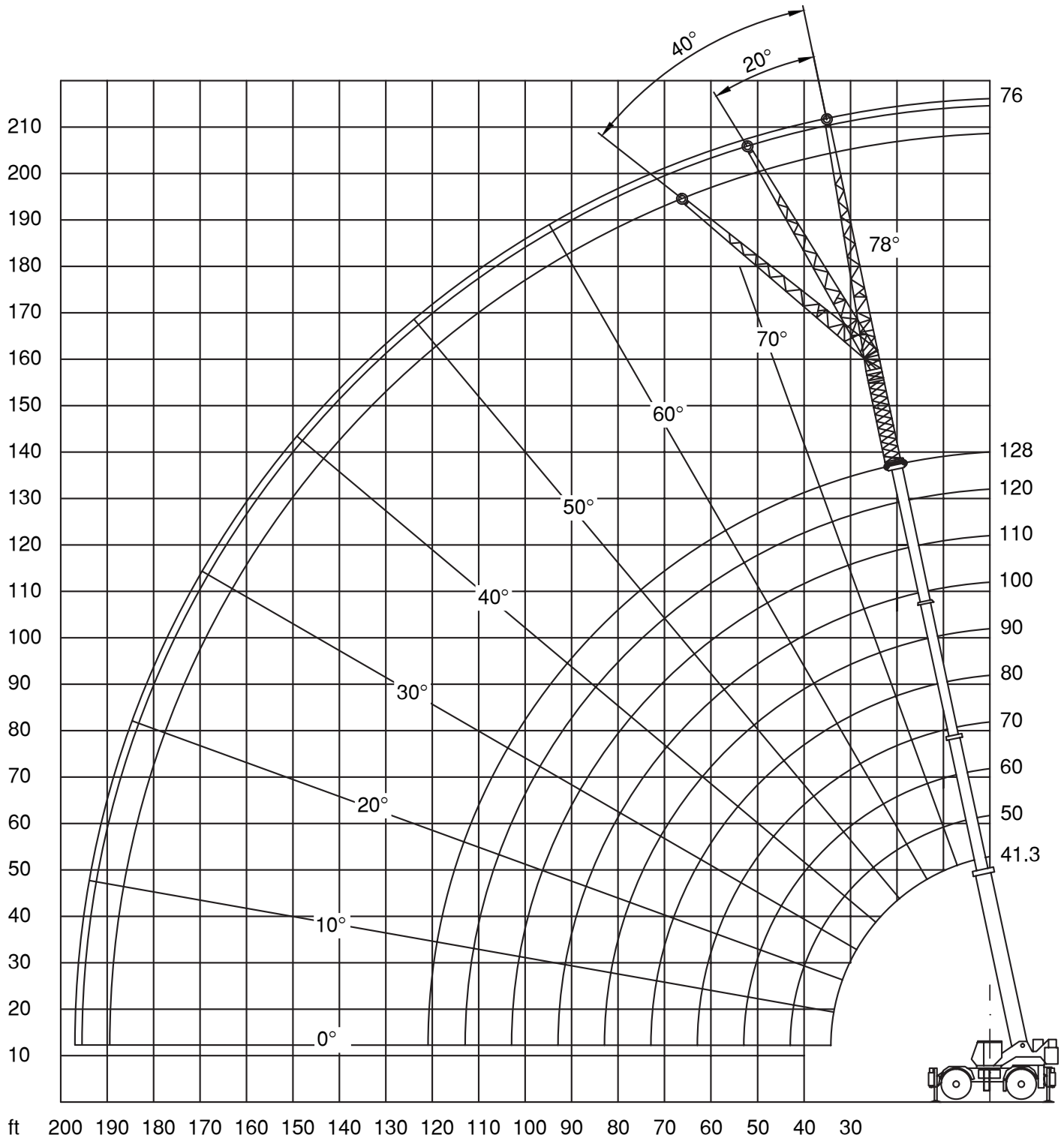
**360°**

**85**

**85%**

ft	0°	33 20°	40°	0°	56 20°	40°	ft
35	11.9						35
40	11.9			6.06			40
45	11.9	11.9		6.06			45
50	11.9	10.6	9.79	6.06			50
55	11.9	9.77	8.47	6.06			55
60	11	9.02	7.92	6.06	6.06		60
65	10	8.36	7.43	6.06	5.9		65
70	9.19	7.78	6.98	6.06	5.73	5.06	70
75	8.46	7.26	6.58	6.06	5.33	4.64	75
80	7.82	6.79	6.21	6.04	4.98	4.37	80
85	7.25	6.37	5.87	5.57	4.65	4.12	85
90	6.74	5.99	5.56	5.15	4.36	3.89	90
95	6.29	5.64	5.28	4.78	4.09	3.68	95
100	5.88	5.32	5.02	4.44	3.84	3.48	100
105	5.51	5.03	4.77	4.13	3.61	3.3	105
110	5.17	4.76	4.55	3.85	3.4	3.13	110
115	4.83	4.51	4.34	3.59	3.2	2.97	115
120	4.23	4.28	4.15	3.36	3.02	2.82	120
125	3.69	3.96		3.14	2.84	2.68	125
130	3.2	3.43		2.94	2.69	2.54	130
135	2.74	2.93		2.76	2.54	2.42	135
140	2.32	2.48		2.59	2.4	2.3	140
145	1.94			2.43	2.27		145
150	1.58			2.07	2.14		150
155				1.73	2.03		155
160				1.42	1.71		160
165				1.12			165

All information given are for reference only.



07-2011

General Information Tower Cranes Crawler Cranes Rough Terrain Cranes Carry Decks Boom Trucks Hydraulic Truck Cranes All Terrain Cranes

# Rough Terrain Cranes

Grove RT 880 E



**80 t**



**128 ft**



**20 ft**



**56 ft**



**18,000 lbs**



**24'8" x 24'**



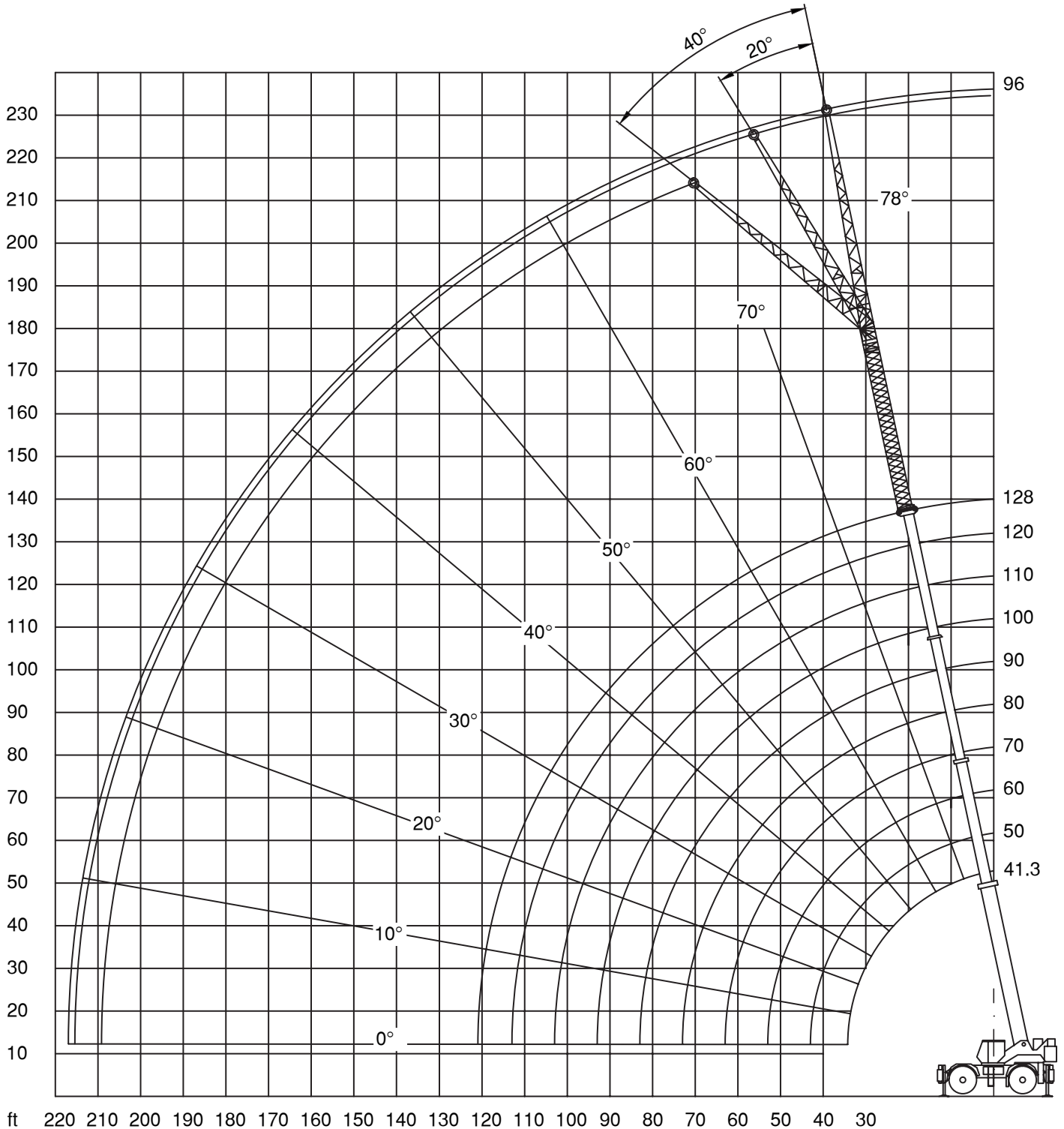
**360°**

**85**

**85%**

ft	0°	56 20°	40°	ft
50	4.85			50
55	4.85			55
60	4.85			60
65	4.85	5.29		65
70	4.85	4.86		70
75	4.85	4.47		75
80	4.73	4.11	4.05	80
85	4.31	3.79	3.5	85
90	3.94	3.5	3.26	90
95	3.61	3.24	3.03	95
100	3.31	3	2.83	100
105	3.04	2.77	2.63	105
110	2.79	2.57	2.45	110
115	2.56	2.37	2.28	115
120	2.35	2.2	2.12	120
125	2.16	2.03	1.97	125
130	1.99	1.88	1.83	130
135	1.82	1.73	1.7	135
140	1.67	1.59	1.57	140
145	1.53	1.47	1.45	145
150	1.4	1.34	1.34	150
155	1.27	1.23	1.23	155
160	1.16	1.12	1.13	160
165	1.05	1.02		165

All information given are for reference only.



07-2011

# Rough Terrain Cranes

Grove RT 880 E



**80 t**



128 ft



40 ft



56 ft



18,000 lbs



24'8" x 24'



360°

**85**

85%

ft	0°	56 20°	40°	ft
55	3.52			55
60	3.52			60
65	3.52			65
70	3.52			70
75	3.52	3.74		75
80	3.52	3.42		80
85	3.3	3.1	3.25	85
90	2.97	2.82	2.72	90
95	2.66	2.56	2.49	95
100	2.39	2.32	2.27	100
105	2.14	2.1	2.07	105
110	1.92	1.9	1.89	110
115	1.71	1.71	1.71	115
120	1.52	1.54	1.55	120
125	1.35	1.38	1.39	125
130	1.19	1.23	1.25	130
135	1.04	1.08	1.11	135