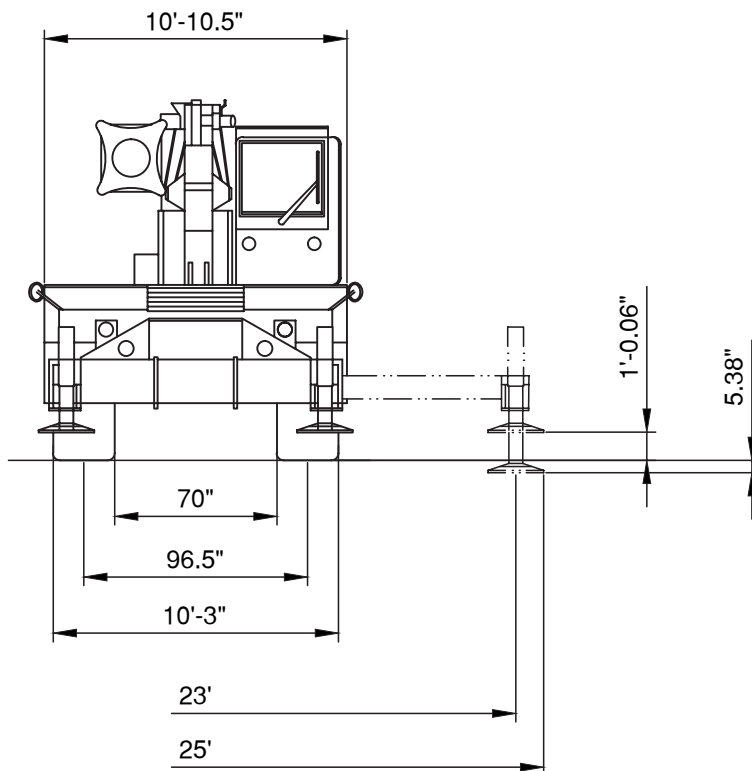
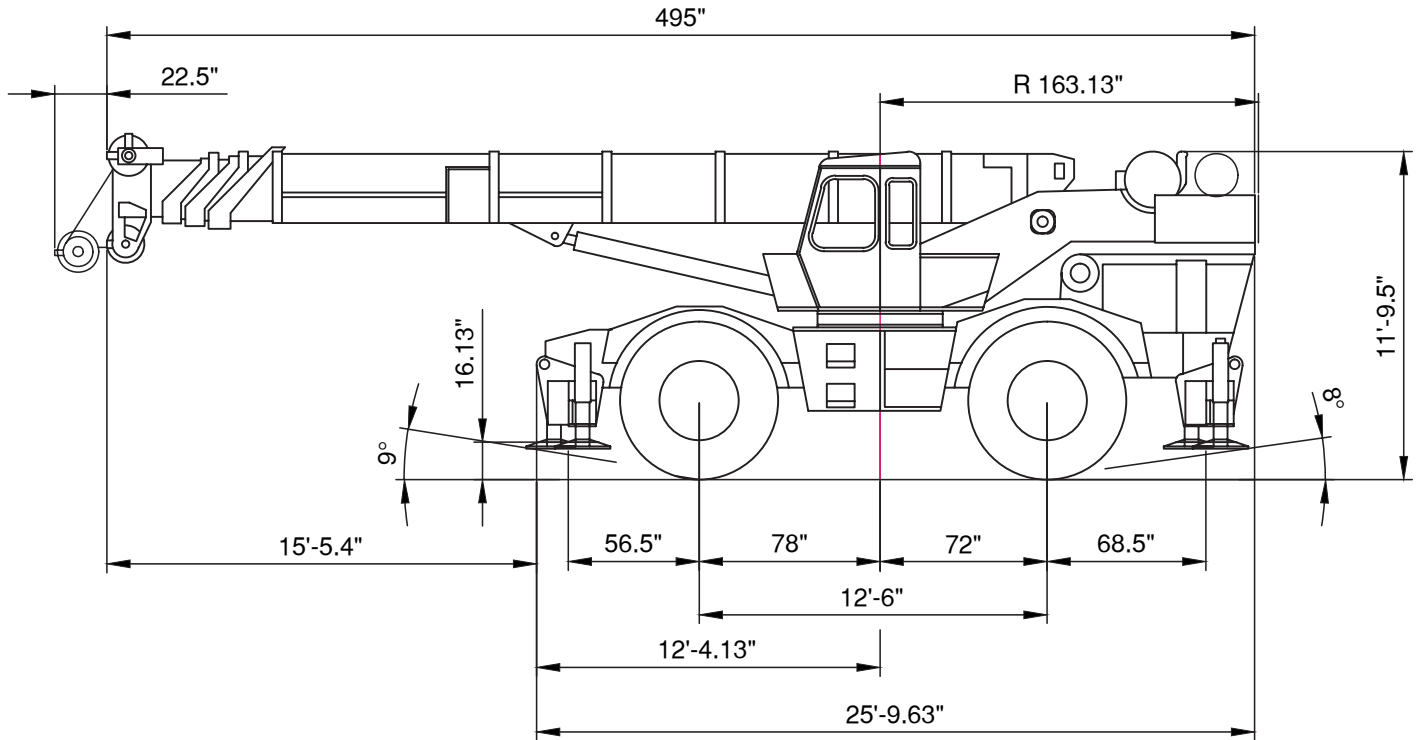
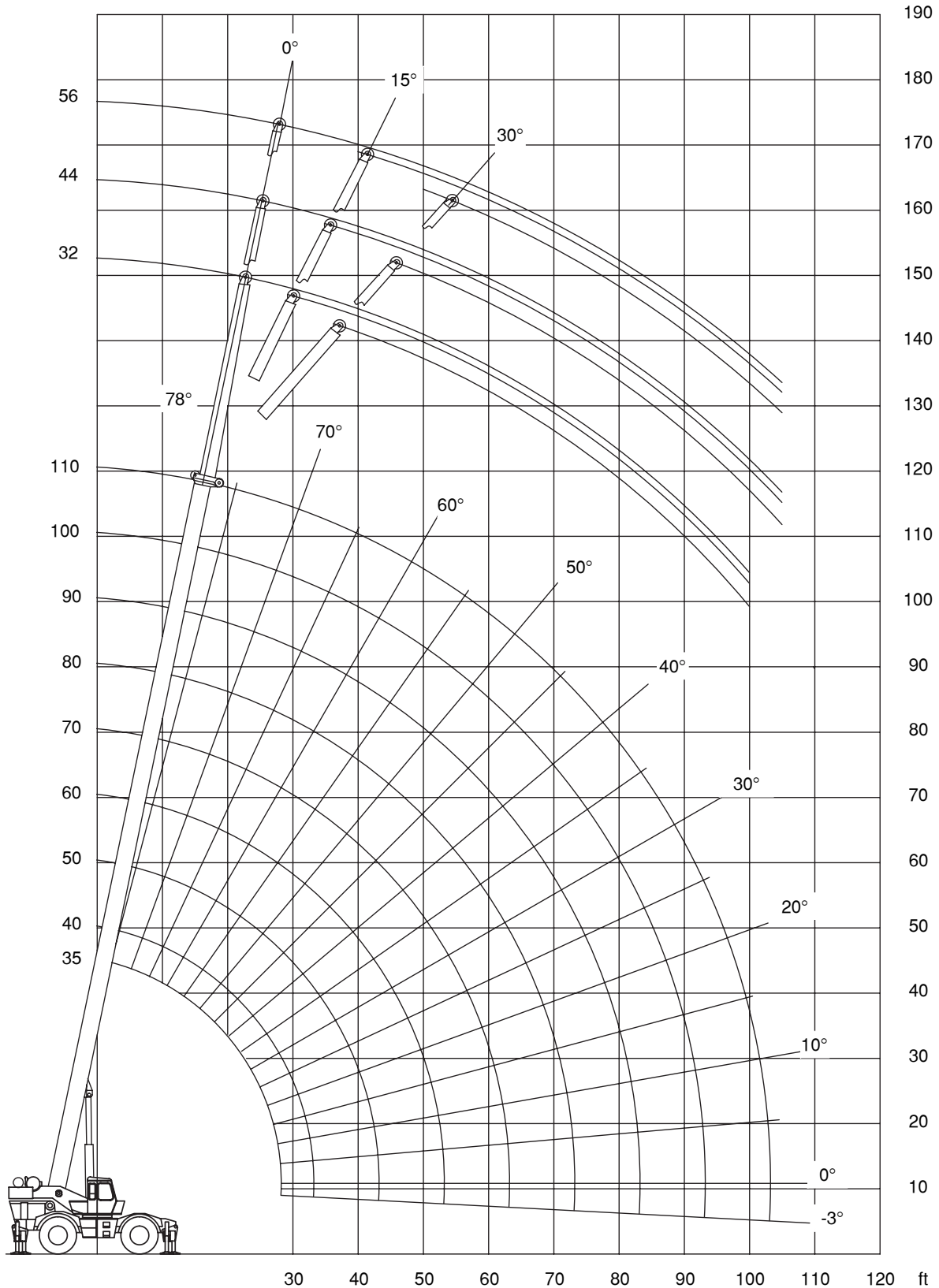


All information given are for reference only.



07-2011




**35-110 ft**

**9,000 lbs**

**22'11" x 23'**

**360°**
**85**
**85%**

ft	35	40	50	60*	70	80	90	100	110	ft
10	80	68	58.1							10
12	67.4	62.7	53.7	44.6						12
15	56.5	54.5	48.05	41.55	35.6	33				15
20	44	43	39.4	33.55	30.5	28	25.5	22.15		20
25	33.5	33	32.4	27.75	25.2	23.8	21.95	20.4	18.5	25
30		26.5	25.5	23.3	21.05	20.4	19.3	17.55	15.75	30
35			20.3	20	17.95	17.4	16.4	15.05	13.65	35
40			16	15.85	15.5	15.05	14.1	13.1	12	40
45				12.25	13	13	12.3	11.45	10.6	45
50				9.72	10.35	10.75	10.8	10	9.5	50
55					8.3	8.77	9.17	8.83	8.37	55
60					6.65	7.15	7.85	7.84	7.41	60
65						5.83	6.34	6.82	6.59	65
70						4.74	5.1	5.59	5.88	70
75							4.05	4.54	4.98	75
80							3.16	3.65	4.12	80
85								2.87	3.38	85
90								2.19	2.74	90
95									2.17	95
100									1.79	100

\*60 ft. boom length is with inner-mid extended and outer-mid & fly retracted.

All information given are for reference only.

# Rough Terrain Cranes

Grove RT 740 B



**40 t**



**110 ft**



**32/44/56 ft**



**9,000 lbs**



**22'11" x 23'**



**360°**

**85**

**85%**

ft	32			44			56			ft
	0°	15°	30°	0°	15°	30°	0°	15°	30°	
30	8.5			5.1*						30
35	8.1	7*		5.06						35
40	7.6	6.6	5.8*	5			4			40
45	7.1	6.2	5.47	4.9	4.3		3.92			45
50	6.6	5.8	4.96	4.75	4.11	3.3	3.84	3.3		50
55	6.05	5.42	4.6	4.55	3.92	3.2	3.77	3.1		55
60	5.5	5.07	4.4	4.3	3.75	3.1	3.7	2.92	2.3	60
65	4.86	4.73	4.24	4.01	3.57	3	3.61	2.76	2.2	65
70	4.27	4.27	4.09	3.71	3.4	2.9	3.5	2.62	2.1	70
75	3.74	3.74	3.74	3.4	3.2	2.8	3.31	2.5	2.02	75
80	3.26	3.26	3.26	3.09	3	2.7	3	2.4	1.95	80
85	2.58	2.58	2.58	2.79	2.79	2.6	2.51	2.3	1.88	85
90	1.99	1.99	1.99	2.5	2.5	2.5	2.02	2.02	1.81	90
95	1.47	1.47	1.47	1.99	1.99	1.99	1.66	1.66	1.66	95
100	1	1	1	1.52	1.52	1.52	1.23	1.23	1.23	100
105				1.1	1.1	1.1	0.85	0.85	0.85	105