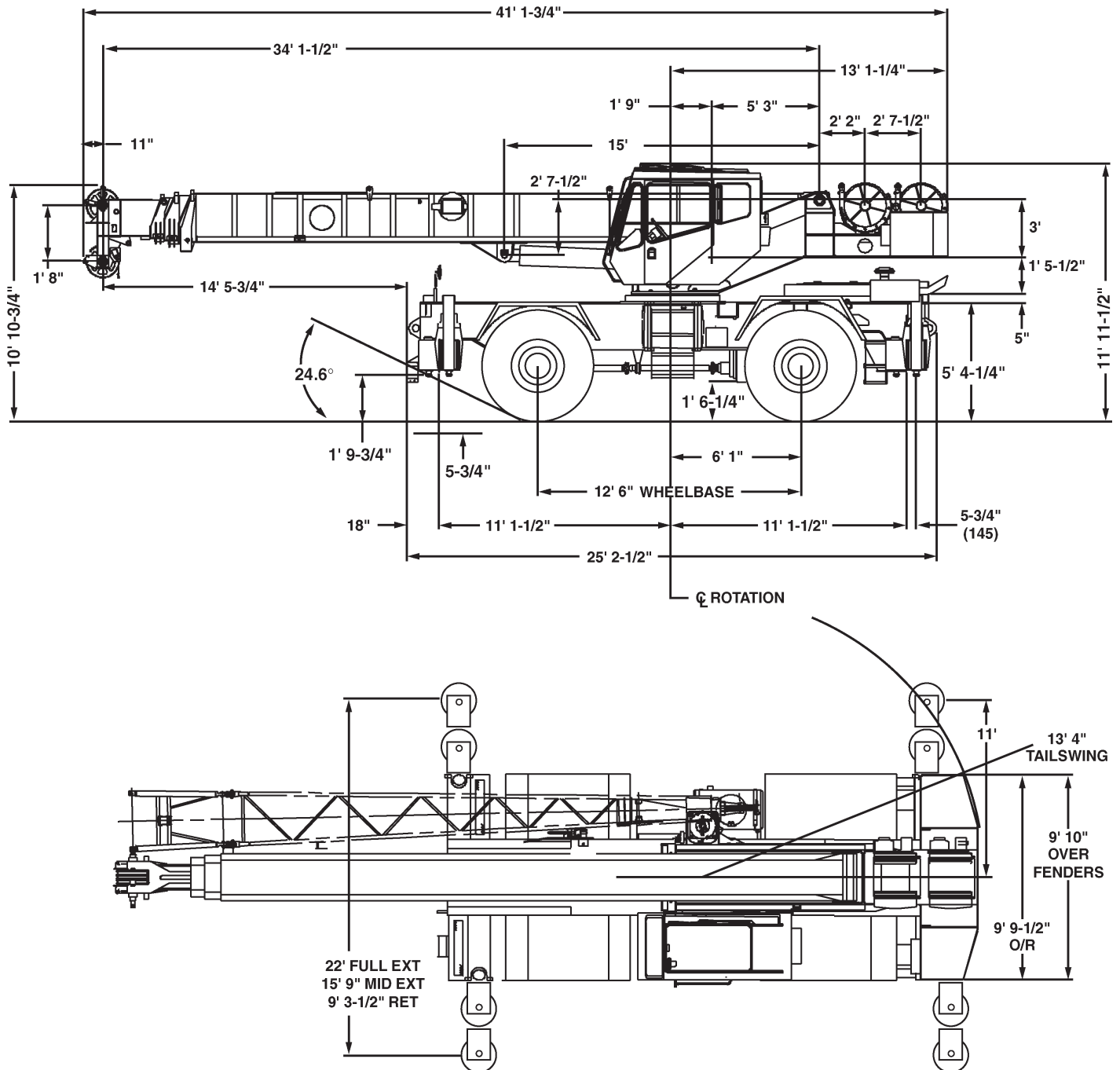


All information given are for reference only.



All Terrain Cranes

Hydraulic Truck Cranes

Boom Trucks

Carry Decks

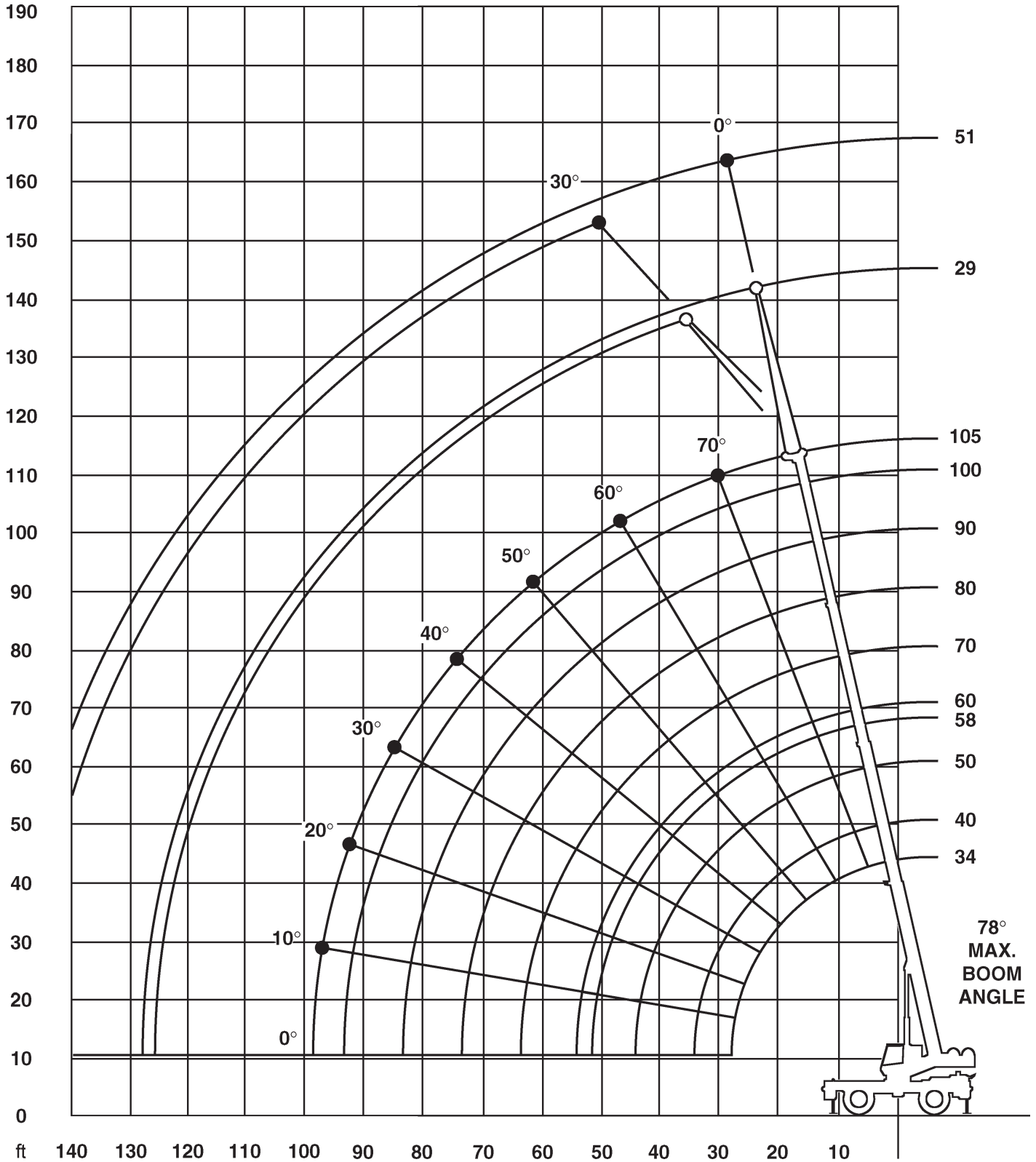
Rough Terrain Cranes

Crawler Cranes

Tower Cranes

General Information

**35 t**




**34-105 ft**

**5,787 lbs**

**22'3"x22'**

**360°**
**85**
**85%**

ft	34	40	50	58*	60	70	80	90	100	105	ft
10	70	66.9	58.65	44.6	29.3						10
12	68.05	64.1	55	44.6	29.3	29.3					12
15	59.15	57.65	48	41.5	29.3	29.3					15
20	45.9	45.45	38.5	35.9	29.3	29.3	29.3	27			20
25	35.55	35.25	32.4	30.5	29.3	27.95	26.35	23.25	18.55	15.85	25
30		27.15	26.5	25.55	25.3	24	22.95	20.3	16.5	15.85	30
35			19.55	19.15	19.35	20.25	20	17.95	14.8	14.35	35
40			15	14.65	14.85	15.65	16.45	16	13.4	12.85	40
45				11.5	11.65	12.4	13.1	13.45	12.5	11.55	45
50				9.18	9.33	10	10.65	10.95	11.3	10.4	50
55				14.65		8.17	8.77	9.08	9.39	9.45	55
60				11.5		6.71	7.25	7.56	7.87	8.02	60
65				9.18			6.02	6.32	6.63	6.79	65
70							4.99	5.3	5.61	5.76	70
75								4.45	4.75	4.89	75
80								3.74	4.02	4.15	80
85									3.39	3.51	85
90									2.83	2.95	90
95										2.46	95

\*58 ft. boom length is with inner-mid extended and outer-mid & fly retracted.

All information given are for reference only.

# Rough Terrain Cranes

Grove RT 635 C



**35 t**



105 ft



29 ft



5,787 lbs



22'3"x22'



360°

**85**

85%

ft	29		ft
	0°	30°	
30	9.36		30
35	8.96		35
40	8.61	5.36	40
45	7.86	5.16	45
50	7.21	4.96	50
55	6.61	4.76	55
60	5.96	4.71	60
65	5.36	4.66	65
70	4.81	4.61	70
75	4.36	4.56	75
80	3.91	4.16	80
85	3.51	3.66	85
90	3.16	3.26	90
95	2.86	2.86	95
100	2.43	2.43	100
105	2.02	2.02	105
110	1.67	1.67	110