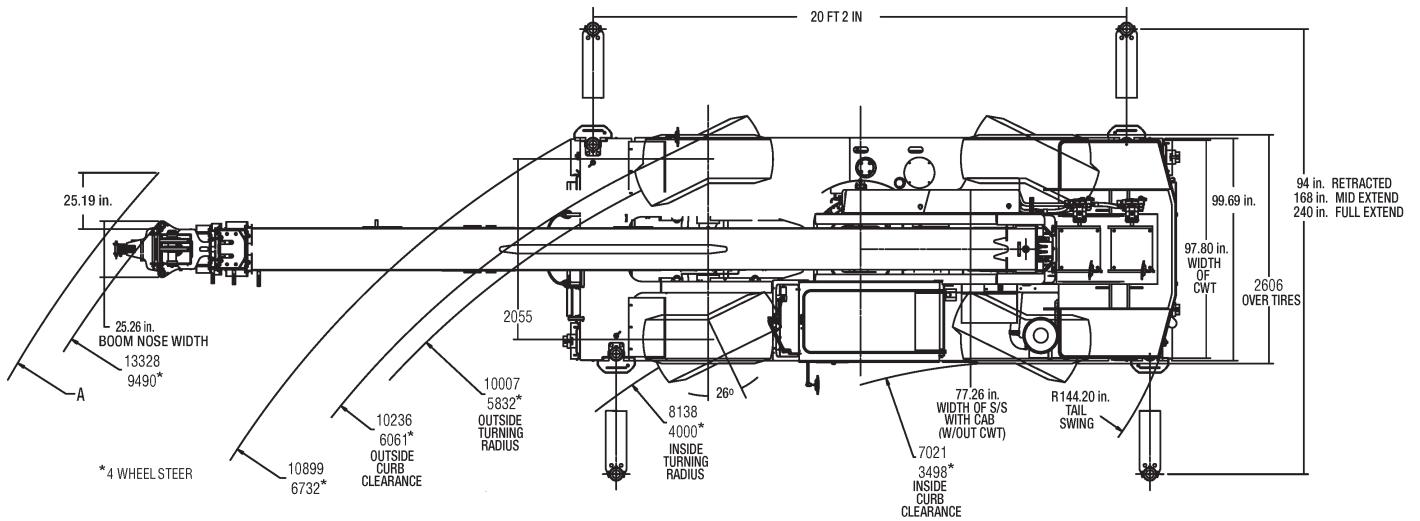
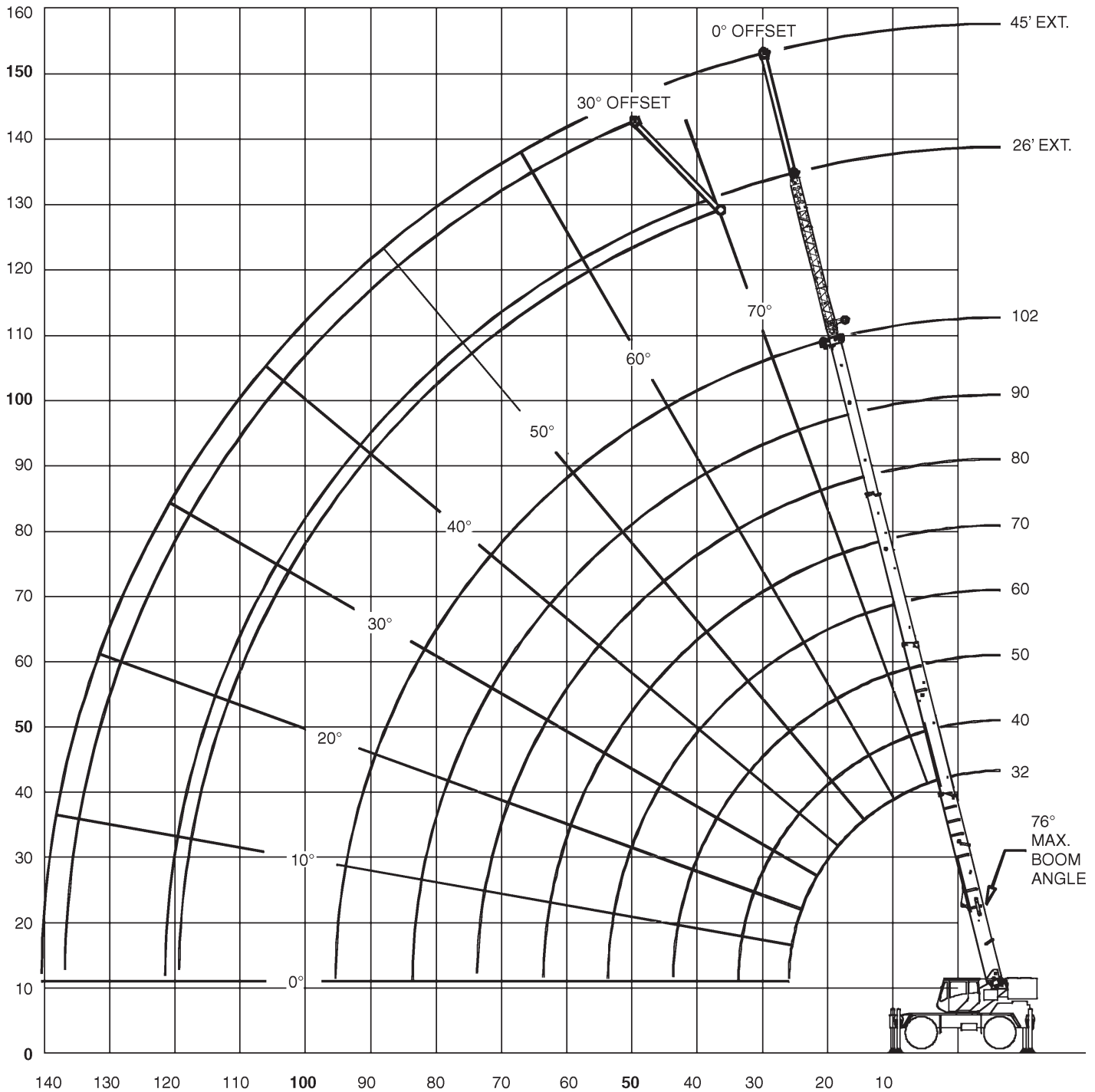


All information given are for reference only.






**32-102 ft**

**9,920 lbs**

**20'2"x20'**

**360°**
**85**
**85%**

ft	32	40	50	60	70	80	90	102	ft
10	70	50.1	47						10
12	56.5	50.1	47	46					12
15	46.5	47.35	46	43	38				15
20	33.8	34	34	34	30	28	22		20
25	25	26	26.3	26	25	23.5	21	18	25
30		20	20.5	20.5	21	20	18	16.3	30
35			16	16.5	17.5	17	15.5	14.4	35
40			13	13.5	13.5	14	13.1	12.6	40
45				11.2	10.75	11.5	11.25	11	45
50				9	9	9.5	9	9.3	50
55					7.3	8	7.5	7.8	55
60					6.2	6.6	6.3	6.45	60
65						5.5	5.3	5.3	65
70						4.5	4.5	4.4	70
75							3.8	3.8	75
80							3.2	3.2	80
85								2.6	85
90								2.2	90
95								1.6	95

All information given are for reference only.

# Rough Terrain Cranes

Grove RT 535 E



**35 t**



102 ft



26/45 ft



9,920 lbs



20'2"x20'



360°

**85**

85%

ft	26		45		ft
	0°	30°	0°	30°	
35	8.2				35
40	8.2		5.25		40
45	8.2	5.78	5.25		45
50	8.15	5.78	5.05		50
55	7.5	5.45	4.65		55
60	6.44	4.91	4.29	2.73	60
65	5.46	4.45	4	2.73	65
70	4.62	4.05	3.8	2.73	70
75	3.9	3.67	3.65	2.6	75
80	3.26	3.35	3.52	2.52	80
85	2.71	3.1	3.36	2.47	85
90	2.21	2.58	2.98	2.42	90
95	1.77	2.08	2.53	2.39	95
100	1.38	1.62	2.13	2.38	100
105	1.02	1.2	1.77	2.31	105
110			1.45	1.91	110
115			1.13	1.53	115
120				1.18	120