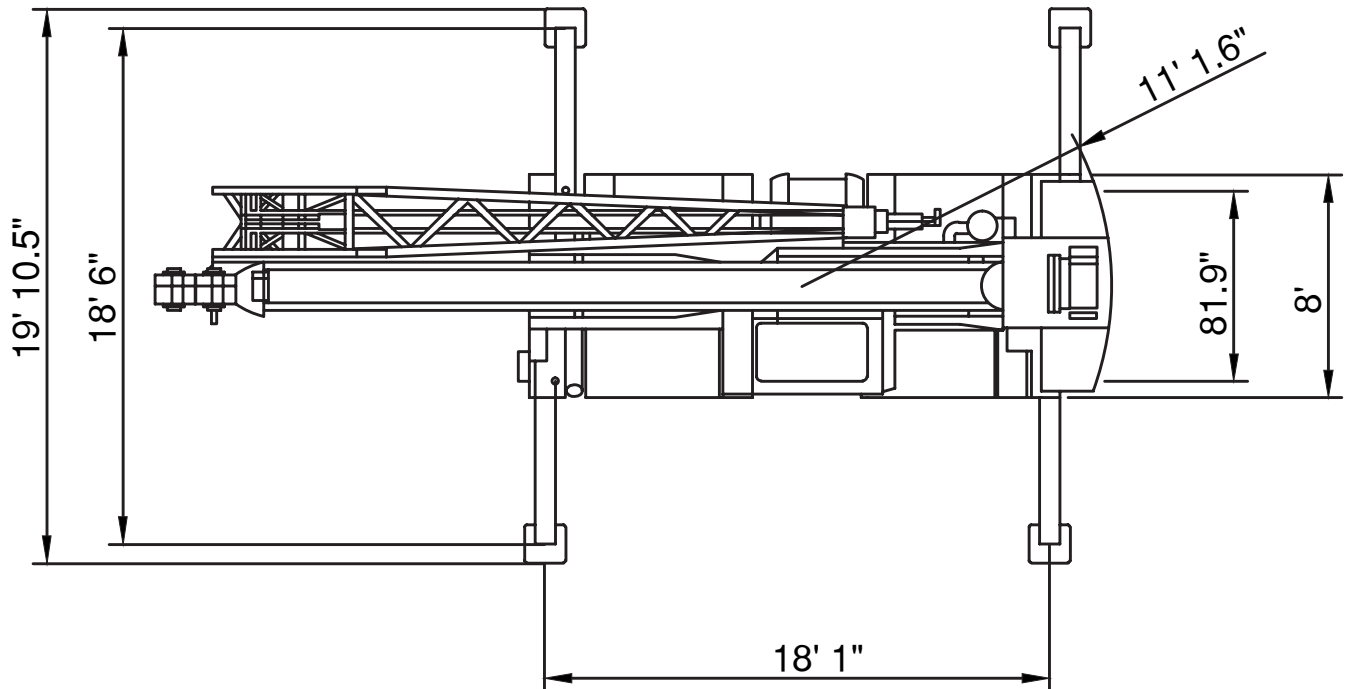
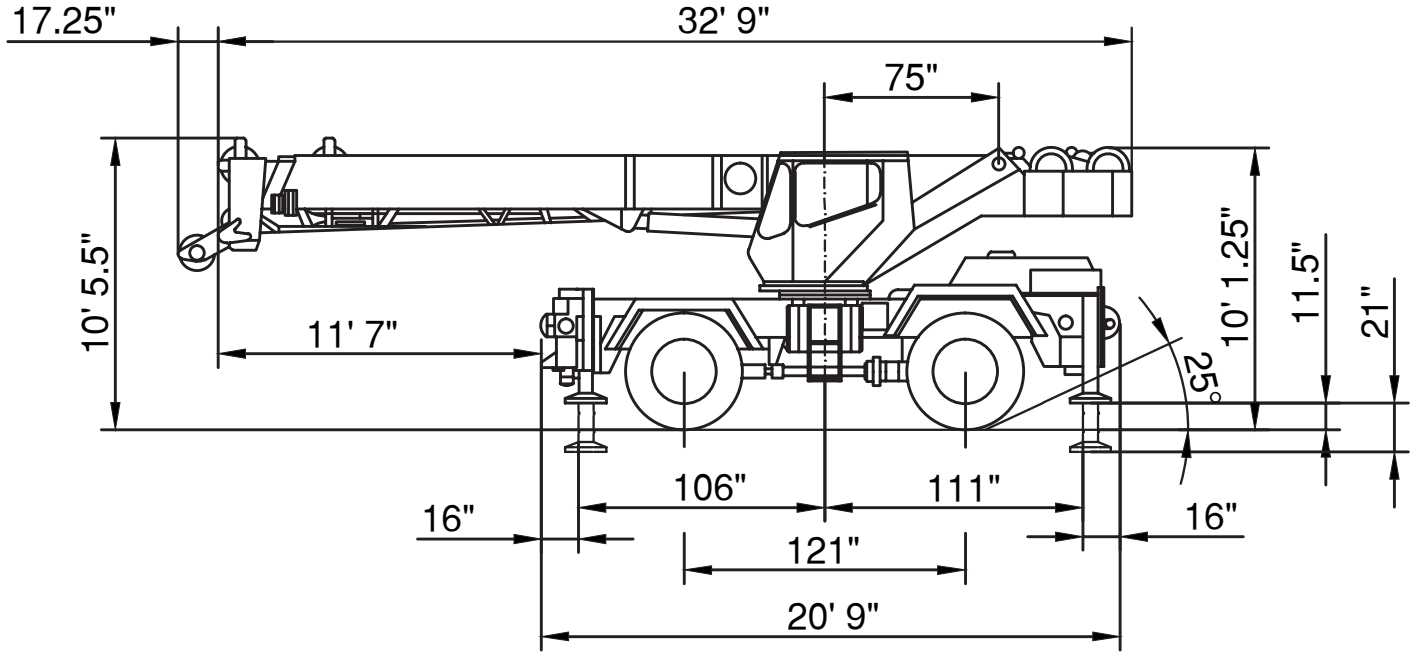
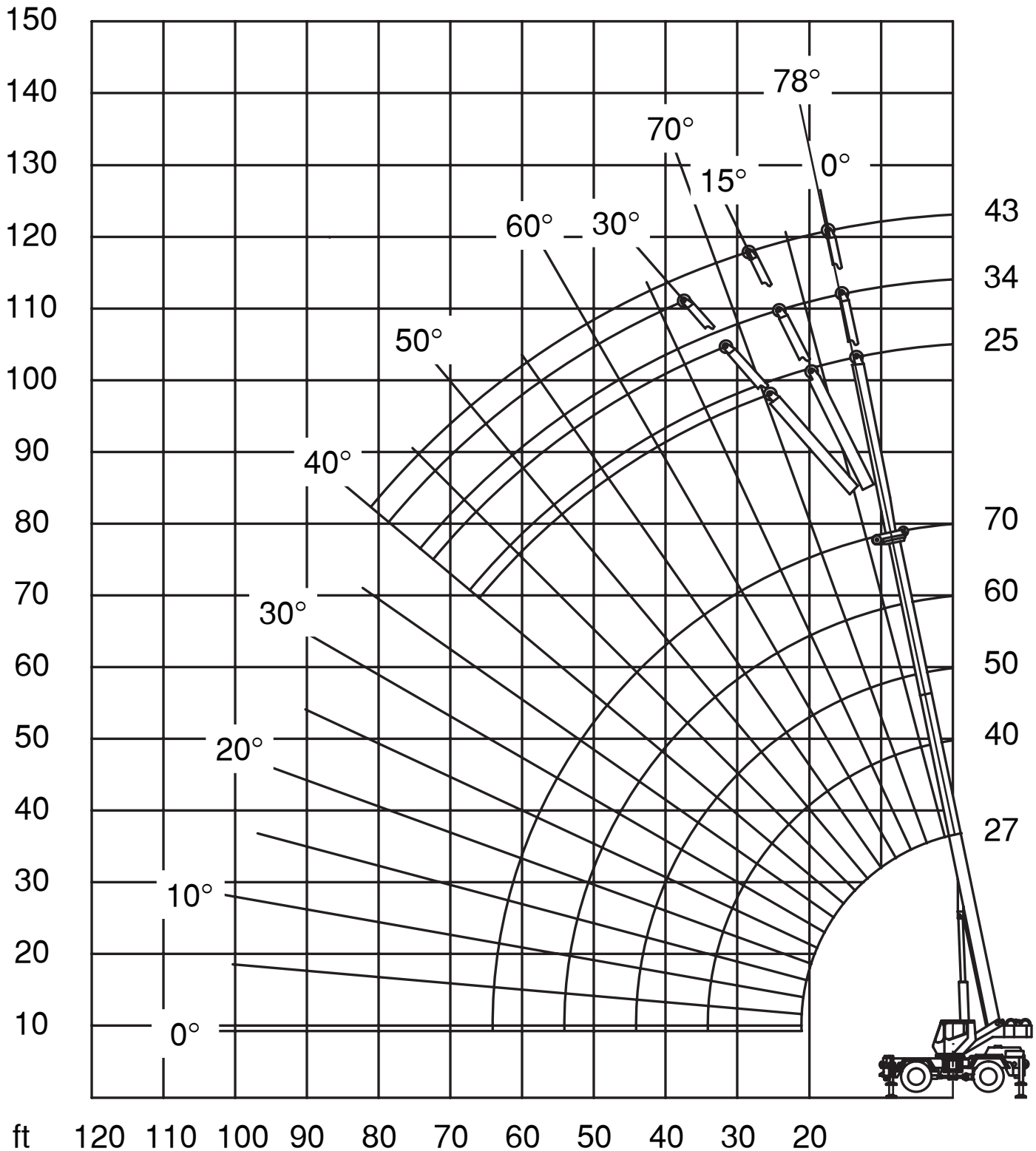


All information given are for reference only.






**27-70 ft**

**3,925 lbs**

**18'1"x18'6"**

**360°**
**85**
**85%**

ft	27	40	50	60	70	ft
8	44	43.65	42.45			8
9	41	41	39.85			9
10	38	38	37.55			10
12	31.45	31.45	31.45	31.45		12
15	24.3	24.3	24.3	24.3	22	15
20	18	17.65	17.65	17.65	17.65	20
25		13.3	13.3	13.3	13.3	25
30		10.4	10.4	10.4	10.4	30
35			8.37	8.37	8.37	35
40			6.63	6.63	6.63	40
45				5.37	5.37	45
50				4.41	4.41	50
55					3.66	55
60					3.06	60

All information given are for reference only.

07-2011

# Rough Terrain Cranes

Grove RT 422



**22 t**



70 ft



25/34/43 ft



3,925 lbs



18'1"x18'6"



360°

**85**

85%

ft	25			34			43			ft
	0°	15°	30°	0°	15°	30°	0°	15°	30°	
20	12.5			8.5			5			20
25	10.75	7.5		8.03			4.75			25
30	9.81	6.87	5.5*	7.17	5.5*		4.36			30
35	8.93	6.33	5.11	6.39	4.91	3.6*	4.02	3		35
40	7.2	5.86	4.77	5.68	4.54	3.29	3.71	2.8	2.3	40
45	5.67	5.45	4.49	5.04	4.18	2.93	3.42	2.65	2.21	45
50	4.51	4.51	4.26	4.59	3.84	2.65	3.17	2.51	2.16	50
55	3.6	3.6	3.6	4.01	3.51	2.43	2.94	2.4	2.1	55
60	2.86	2.86	2.86	3.26	3.2	2.25	2.73	2.3	2.03	60
65	2.26	2.26	2.26	2.65	2.65	2.1	2.54	2.21	1.97	65
70				2.13	2.13	1.97	2.36	2.13	1.89	70
75							2.14	2.06	1.82	75
80							1.78	1.78	1.73	80