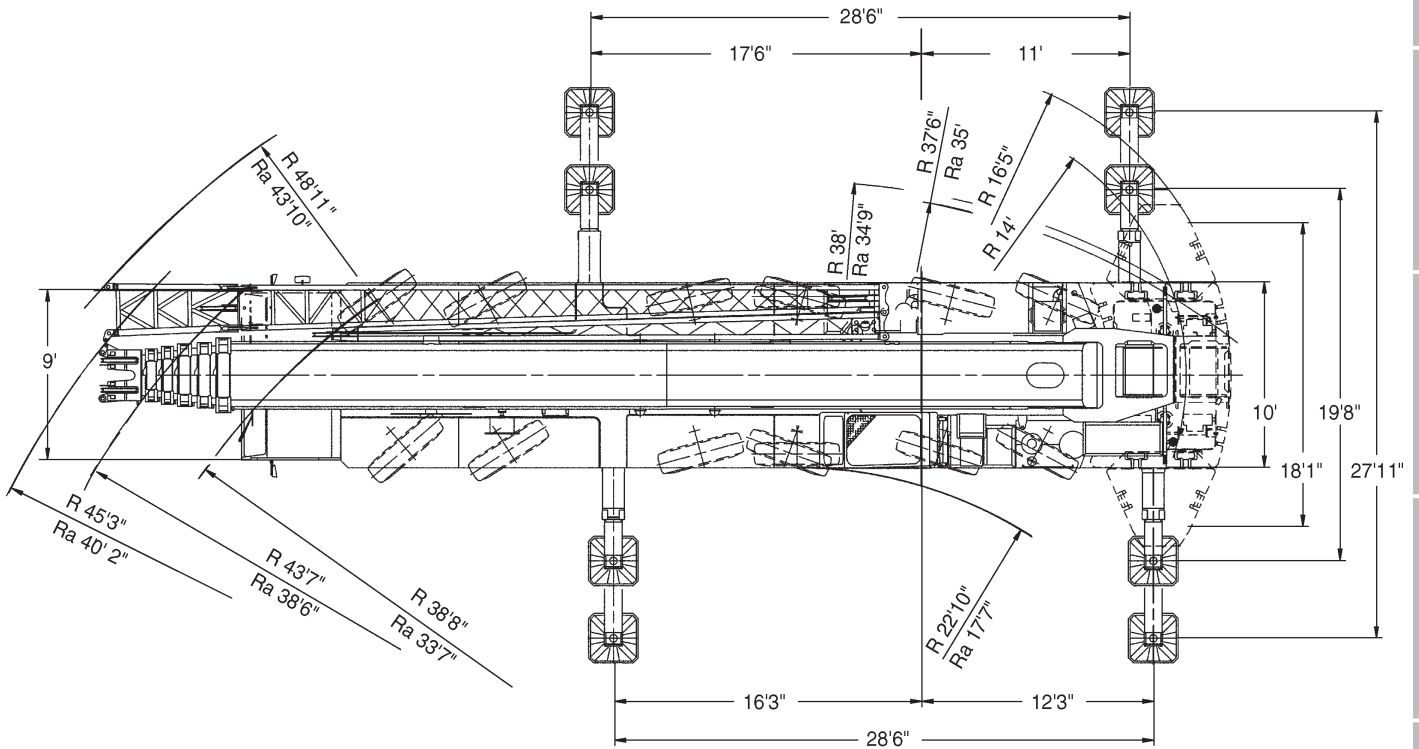
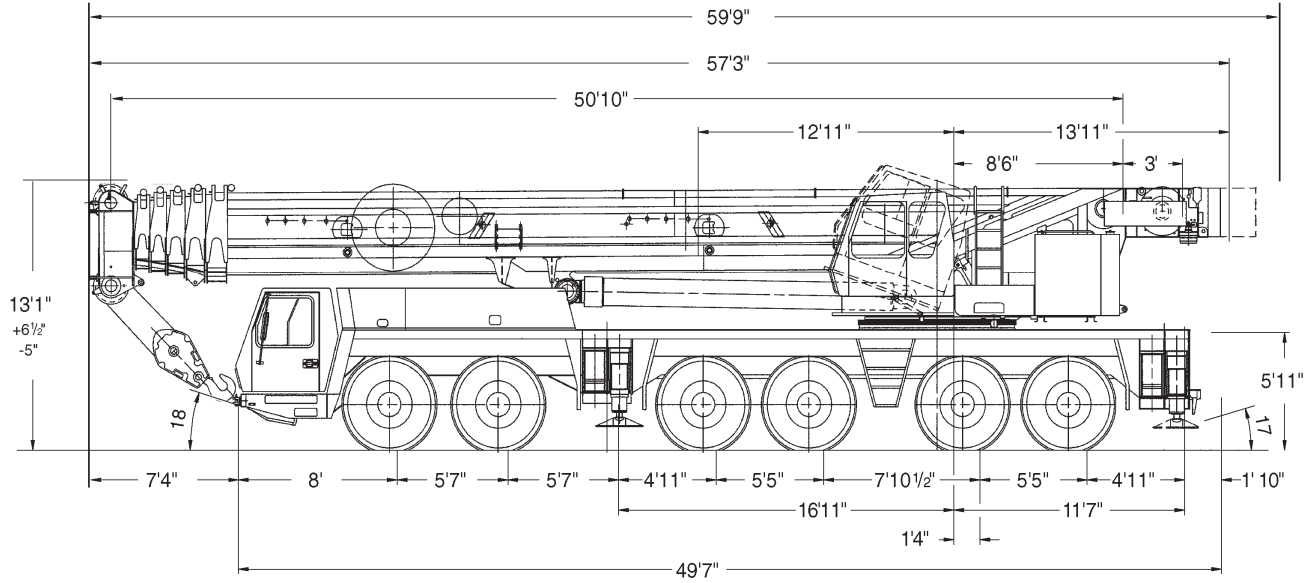


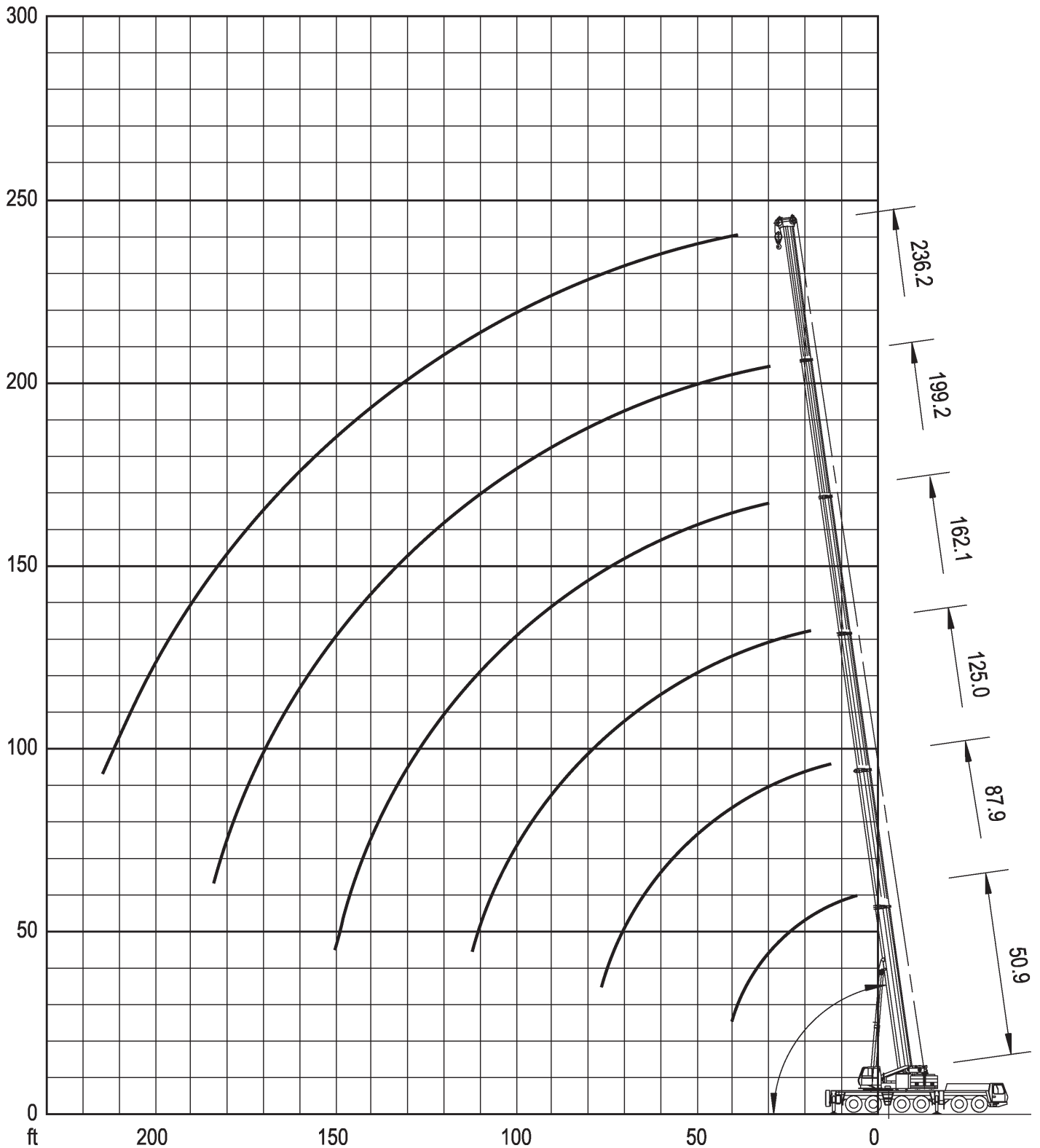
All information given are for reference only.



Crane based out of Bensalem branch.
Available in other regions upon special request

250 t

All Terrain Cranes
Grove GMK 6250 L




50.9-236.2ft

154,300 lbs

28'6" x 27'11"

360°
85
85%

All information given are for reference only.

ft	50.9	69.4	87.9	106.5	125	143.5	162.1	180.6	199.2	217.7	236.2	ft
8	406*											8
10	382	308										10
15	288	272	208									15
20	238	228	208	157	120							20
25	200	196	188	157	120	93						25
30	169	171	163	150	120	93	69	52				30
35	140	147	143	139	118	93	69	52				35
40		124	121	123	111	89	69	53	39.6	30.8		40
45		107	104	106	103	84	65	52	39.6	30.8		45
50		94	90	92	94	79	61	52	39.6	30.8	26.4	50
55		81	79	81	83	75	58	50	39.6	30.8	26.4	55
60			70	75	74	71	54	47	39.6	30.8	26.4	60
65			62	68	67	67	50	43.8	39.2	30.8	26.4	65
70			56	62	60	62	47	41.4	37.2	30.8	26.4	70
75				56	55	57	44	39	35.4	30.8	26.4	75
80				51	52	52	41.2	36.6	33.4	30.8	26.4	80
85				47	48	47	38.2	34.2	31.6	29.4	26.4	85
90				43.2	45	43.6	36	32.4	29.8	28	26	90
95					42	40.2	34	30.4	28.2	26.6	25.2	95
100					39	37.2	32.6	28.4	26.6	25.4	24.2	100
105					36.4	34.6	31.4	26.4	25	24	22.8	105
110					31.8	32	30.2	24.6	23.6	22.6	21.4	110
115						29.8	29	22.6	22	21.2	20	115
120						27.8	28	21	20.6	19.8	18.8	120
125						26	27	20	19	18.4	18	125
130						23.4	25.8	19.2	17.6	17	17	130
135							24.2	18.6	16.6	16.2	16.2	135
140							22.4	18	15.8	15.4	15.4	140
145							20.2	17.4	15	14.6	14.6	145
150							13.8	17	14.4	14	14	150
155								16.4	13.8	13.4	13.2	155
160								15.8	13.2	12.6	12.4	160
165									12.6	12	11.8	165
170									12.2	11.6	11.2	170
175									11.8	11.2	10.6	175
180									11.4	10.6	10.2	180
185										10.2	9.6	185
190										9.8	9	190
195										9.2	8.4	195
200										8.8	8	200
205											7.6	205
210											7	210
215											6.2	215

* over rear

Loads greater than 350,000 lbs can only be lifted with additional equipment

All Terrain Cranes

Grove GMK 6250 L



250 t



50.9-236.2ft



97,000 lbs



28'6" x 27'11"



360°

85

85%

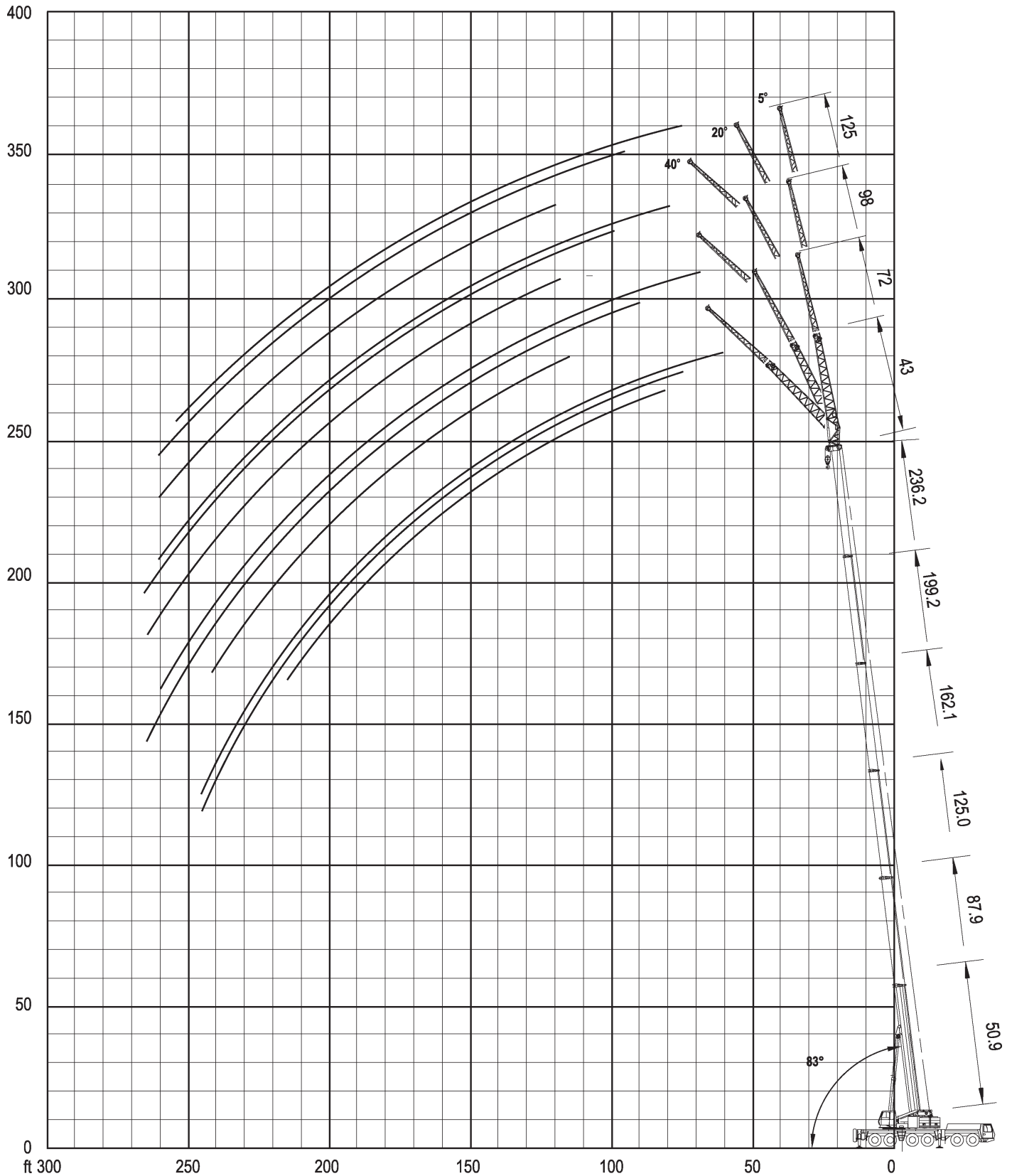
ft	50.9	69.4	87.9	106.5	125	143.5	162.1	180.6	199.2	217.7	236.2	ft
8	406*											8
10	382	308										10
15	288	272	208									15
20	238	228	208	157	120							20
25	188	190	186	157	120	93						25
30	149	151	147	149	120	93	69	52				30
35	122	124	121	123	118	93	69	52				35
40		106	101	104	101	89	69	52	39.6	30.8		40
45		92	86	92	86	84	65	52	39.6	30.8		45
50		80	75	80	75	75	61	52	39.6	30.8	26.4	50
55		70	65	70	70	66	58	50	39.6	30.8	26.4	55
60			56	62	63	58	54	47	39.6	30.8	26.4	60
65			49	55.5	56	52	48	43.8	39.2	30.8	26.4	65
70			45	50	51	47	43.6	41.4	37.2	30.8	26.4	70
75				47	46	42	41.4	37.2	35.4	30.8	26.4	75
80				42.4	41.4	38	39.2	33.4	33.4	30.8	26.4	80
85				38.4	37.2	34.4	35.8	30	30.2	29.4	26.4	85
90				34.8	33.6	32.4	32.6	28.2	27.2	27.6	26	90
95					30.2	31	29.8	27	24.6	25	25.2	95
100					27.4	29.6	27.4	25.6	23.2	23.8	23.6	100
105					25.4	27	24.8	24.4	22.2	22.6	21.6	105
110					24.4	24.6	22.6	23	21	21.4	19.6	110
115						22.6	20.4	21.4	20	20.2	18	115
120						20.8	18.8	19.4	18.8	18.6	16.4	120
125						19	18	17.8	17.8	17	15	125
130						17.4	17.4	16.2	16.8	15.8	13.6	130
135							16.8	14.8	15.2	14.4	12.4	135
140							15.4	14	14	13.2	11.2	140
145							14.4	13.4	13.2	12	10.2	145
150							13.2	12.8	12.2	11	9.2	150
155								12	11	9.8	8.2	155
160								11	10	9	7.4	160
165									9.2	8	6.4	165
170									8.4	7.2	5.6	170
175									7.6	6.4	4.8	175
180									6.8	5.6	4	180
185										4.8	3.4	185
190										4.2	2.6	190
195										3.6		195
200										3		200

* over rear

Loads greater than 350,000 lbs can only be lifted with additional equipment

All information given are for reference only.

07-2011



250 t

All Terrain Cranes

Grove GMK 6250 L



236 ft



43/72/98/125 ft



154,300 lbs



28'6"x27'11"



360°

85

85%

ft	43			72			98			125			ft
	5°	20°	40°	5°	20°	40°	5°	20°	40°	5°	20°	40°	
50	13.8												50
55	13.8												55
60	13.8	13.6		9									60
65	13.8	13.6		9									65
70	13.8	13.6		9			6.6						70
75	13.8	13.6	13.6	9			6.6			4.4			75
80	13.8	13.6	13.6	9	8.6		6.6			4.4			80
85	13.8	13.6	13.6	9	8.6		6.6			4.4			85
90	13.8	13.6	13.6	9	8.6		6.6	6.6		4.4			90
95	13.8	13.6	13.6	9	8.6		6.6	6.6		4.4	4.4		95
100	13.8	13.6	13.6	9	8.6	8.6	6.6	6.6		4.4	4.4		100
105	13.8	13.6	13.6	9	8.6	8.6	6.6	6.6		4.4	4.4		105
110	13.8	13.6	13.6	9	8.6	8.6	6.6	6.6		4.4	4.4		110
115	13.8	13.6	13.6	9	8.6	8.6	6.6	6.6	6.6	4.4	4.4		115
120	13.8	13.6	13.6	9	8.6	8.6	6.6	6.6	6.6	4.4	4.4	4.2	120
125	13.8	13.6	13.6	9	8.6	8.6	6.6	6.6	6.6	4.4	4.4	4.2	125
130	13.4	13.4	13.6	9	8.6	8.6	6.6	6.6	6.6	4.4	4.4	4.2	130
135	13	13	13.2	9	8.6	8.6	6.6	6.6	6.6	4.4	4.4	4.2	135
140	12.6	12.6	12.8	9	8.6	8.6	6.6	6.6	6.6	4.4	4.4	4.2	140
145	12.2	12.2	12.4	9	8.6	8.6	6.6	6.6	6.6	4.4	4.4	4.2	145
150	11.8	11.8	12	9	8.6	8.6	6.6	6.6	6.6	4.4	4.4	4.2	150
155	11.4	11.2	11.6	9	8.6	8.6	6.6	6.6	6.6	4.4	4.4	4.2	155
160	10.8	10.8	11.2	9	8.6	8.6	6.6	6.6	6.6	4.4	4.4	4.2	160
165	10.2	10.4	10.8	9	8.6	8.6	6.6	6.6	6.4	4.4	4.4	4.2	165
170	9.8	9.8	10.2	8.8	8.6	8.6	6.6	6.6	6.4	4.4	4.2	4.2	170
175	9.2	9.4	9.8	8.4	8.6	8.6	6.6	6.4	6.4	4.4	4.2	4.2	175
180	8.6	8.8	9.4	8.2	8.4	8.4	6.4	6.2	6.2	4.2	4.2	4.2	180
185	8.2	8.4	9	7.8	8	8.2	6.2	6.2	6	4.2	4.2	4.2	185
190	7.6	8	8.4	7.4	7.8	8	6	6	6	4.2	4	4.2	190
195	7.2	7.6	8	7.2	7.4	7.8	5.8	5.8	5.8	4.2	4	4	195
200	6.8	7	7.4	6.8	7.2	7.6	5.6	5.8	5.8	4	4	4	200
205	6.4	6.6		6.4	6.8	7.4	5.4	5.6	5.6	4	4	4	205
210	6	6.2		6	6.6	7.2	5	5.2	5.4	4	3.8	4	210
215	5.6	5.8		5.8	6.2	6.8	4.8	5	5.2	3.8	3.8	4	215
220	5.2	5.4		5.4	6	6.4	4.6	4.8	5.2	3.8	3.8	3.8	220
225	4.6	4.8		5	5.6	6	4.4	4.6	5	3.4	3.6	3.8	225
230	4	4.2		4.8	5.2		4	4.4	4.8	3.2	3.4	3.6	230
235	3.4	3.6		4.4	4.8		3.8	4.2	4.6	3	3.2	3.4	235
240	2.8	3		4	4.4		3.6	4	4.2	2.8	3.2	3.4	240
245		2.6		3.6	4		3.2	3.6	4	2.6	3	3.2	245
250				3.2	3.6		3	3.4		2.4	2.8	3	250
255				2.8	3.2		2.6	3		2.2	2.6	3	255
260				2.2	2.6			2.6			2.4	2.6	260


236 ft

43/72/98/125 ft

154,300 lbs

28'6"x27'11"

360°
85
85%

All information given are for reference only.

ft	43		72		98		125		ft
	5°-20°	20°-40°	5°-20°	20°-40°	5°-20°	20°-40°	5°-20°	20°-40°	
60	13.2								60
65	13.2								65
70	13.2								70
75	13.2	13.6							75
80	13.2	13.6	8.6						80
85	13.2	13.6	8.6						85
90	13.2	13.6	8.6		6.6				90
95	13.2	13.6	8.6		6.6		4.4		95
100	13.2	13.6	8.6	8.2	6.6		4.4		100
105	13.2	13.6	8.6	8.2	6.6		4.4		105
110	13.2	13.6	8.6	8.2	6.6		4.4		110
115	13.2	13.6	8.6	8.2	6.6	6.6	4.4		115
120	13.2	13.6	8.6	8.2	6.6	6.6	4.4	4.2	120
125	13.2	13.4	8.6	8.2	6.6	6.6	4.4	4.2	125
130	12.8	13	8.6	8.2	6.6	6.6	4.4	4.2	130
135	12.4	12.6	8.6	8.2	6.6	6.6	4.4	4.2	135
140	12	12.2	8.6	8.2	6.6	6.6	4.4	4.2	140
145	11.6	11.8	8.6	8.2	6.6	6.6	4.4	4.2	145
150	11.2	11.4	8.6	8.2	6.6	6.6	4.4	4.2	150
155	10.8	11	8.6	8.2	6.6	6.6	4.4	4.2	155
160	10.2	10.6	8.6	8.2	6.6	6.6	4.4	4.2	160
165	9.8	10.2	8.4	8.2	6.6	6.4	4.4	4.2	165
170	9.4	9.8	8.4	8.2	6.6	6.4	4.2	4.2	170
175	9	9.4	8.2	8.2	6.4	6.4	4.2	4.2	175
180	8.4	9	8	8	6.2	6.2	4.2	4.2	180
185	8	8.4	7.6	7.8	6.2	6	4.2	4.2	185
190	7.6	8	7.4	7.6	6	6	4	4.2	190
195	7.2	7.6	7.2	7.4	5.8	5.8	4	4	195
200	6.8	7	6.8	7.2	5.8	5.8	4	4	200
205	6.4		6.6	7	5.6	5.6	4	4	205
210	5.8		6.2	6.8	5.2	5.4	3.8	4	210
215	5.2		6	6.4	5	5.2	3.8	4	215
220	4.6		5.6	6	4.8	5.2	3.8	3.8	220
225	4.2		5.2	5.6	4.6	5	3.6	3.8	225
230	3.6		4.8		4.4	4.8	3.4	3.6	230
235	3.2		4.4		4.2	4.6	3.2	3.4	235
240	2.6		3.8		3.8	4.2	3.2	3.4	240
245	2.2		3.4		3.4	4	3	3.2	245
250			3		3		2.8	3	250
255			2.4		2.6		2.4	3	255
260								2.6	260

All Terrain Cranes

Hydraulic Truck Cranes

Boom Trucks

Carry Decks

Rough Terrain Cranes

Tower Cranes

Tower Cranes

General Information

