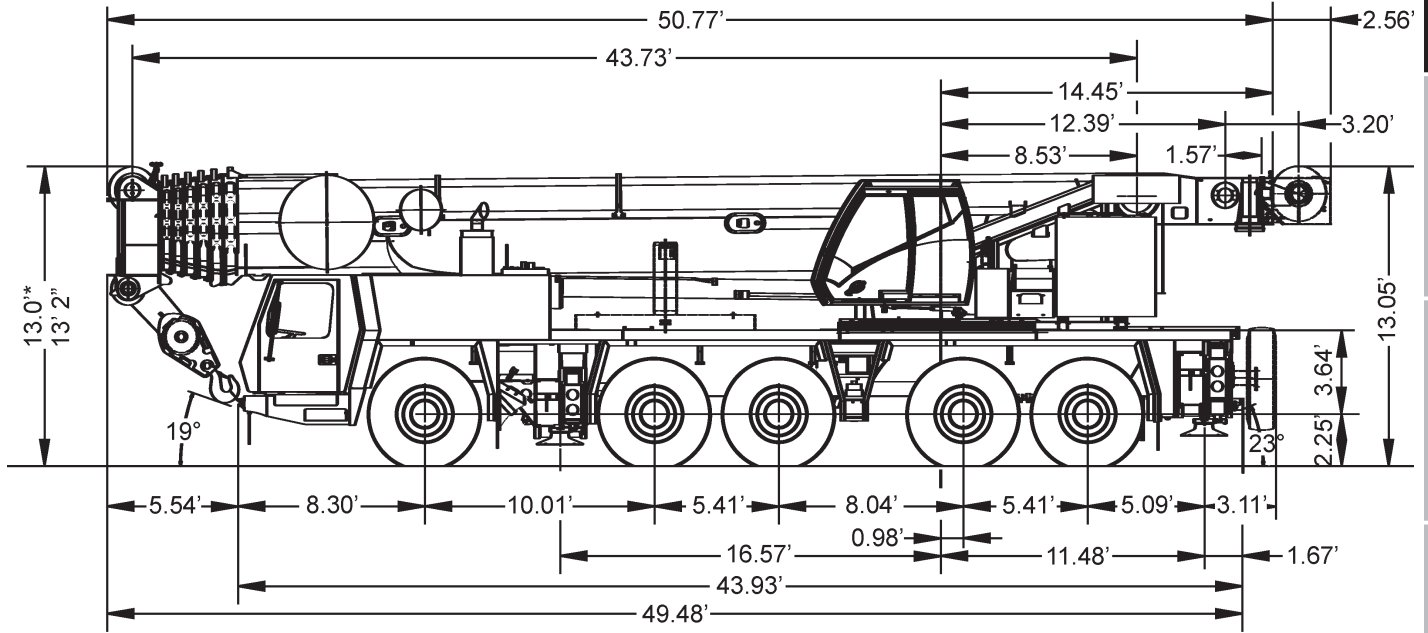
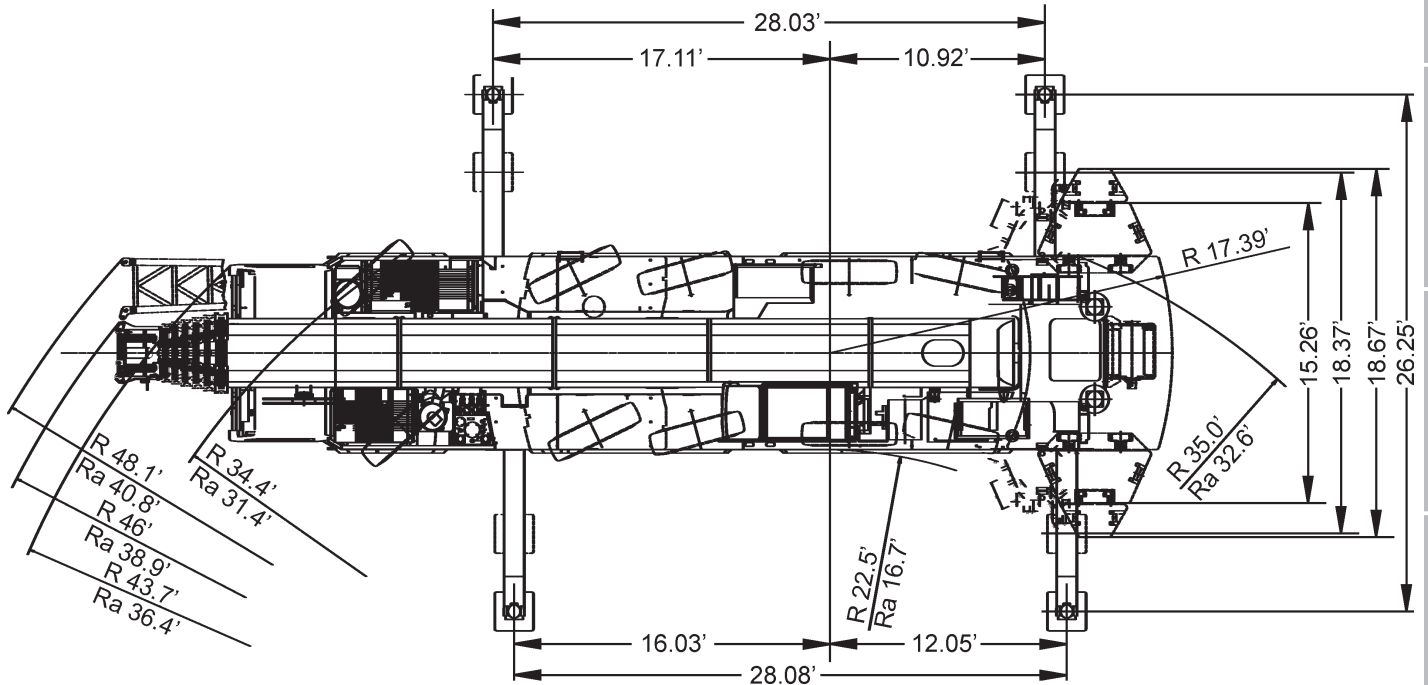


All information given are for reference only.



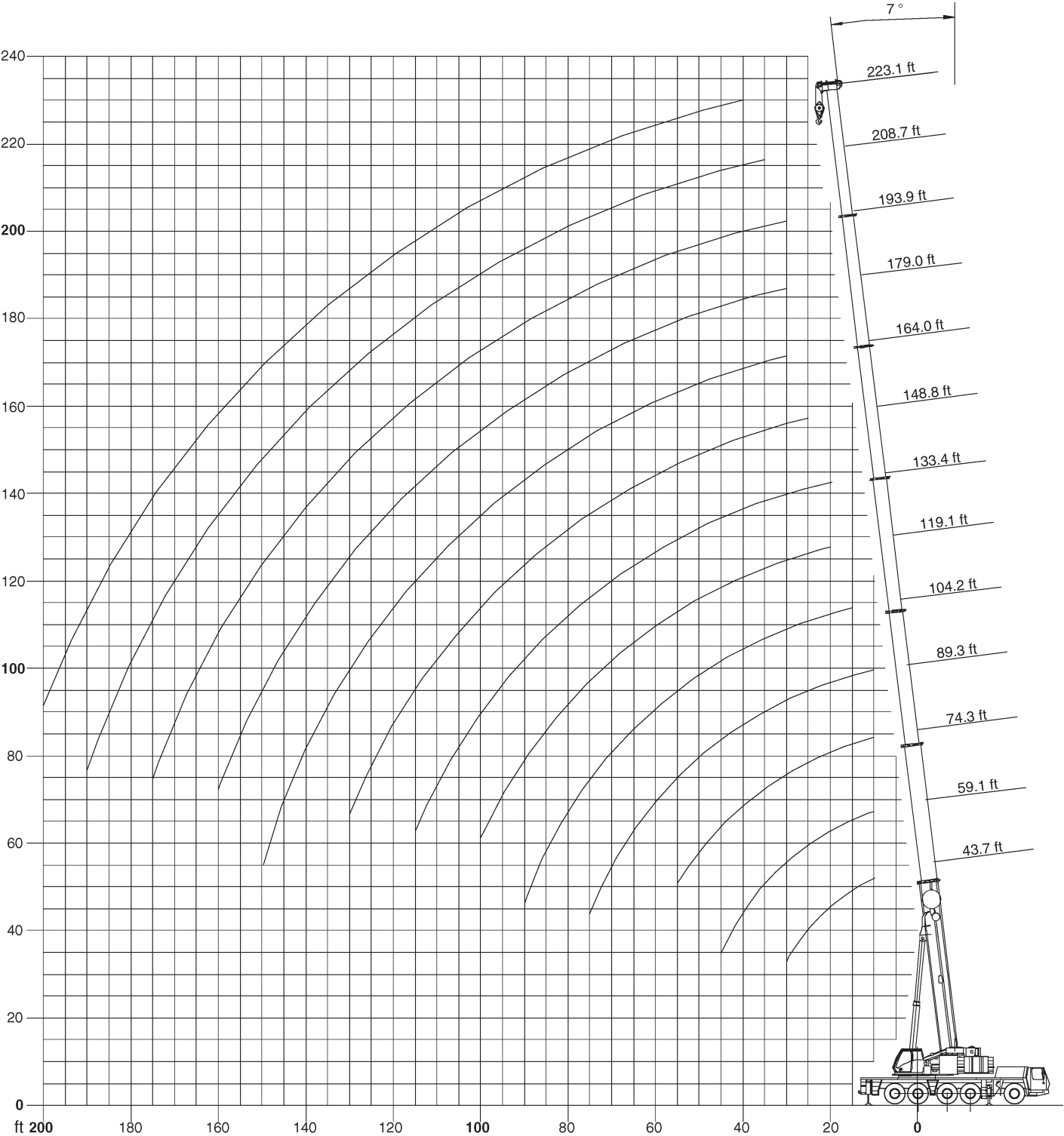
*14.00 tires



Crane based out of Atlanta branch.
Available in other regions upon special request

275 t

All Terrain Cranes
Grove GMK 5275




43.7-223.1ft

169,700 lbs

28'1"x26'3"

360°
85
85%

All information given are for reference only.

ft	43.7	59.1	74.3	89.3	104.2	119.1	133.4	148.8	164	179	193.9	208.7	223.1	ft
8	*550													8
10	346	332	312	244										10
15	272	270	260	242	185									15
20	220	222	215	212	182	144	106							20
25	184	185	181	181	166	140	106	86						25
30	152	157	157	155	151	129	105	86	69	55	45			30
35		136	136	135	136	118	96	86	69	55	45	36.4		35
40		121	119	118	120	108	88	82	69	55	45	36.4	30.8	40
45		99	106	104	106	99	81	75	68	55	45	36.4	30.8	45
50			95	93	95	92	76	70	63	55	45	36.4	30.8	50
55			83	84	85	85	72	64	59	52	45	36.4	30.8	55
60				76	77	79	67	59	54	49	44	36.4	30.8	60
65				70	70	72	63	54	50	46	41.2	36.4	30.8	65
70				63	64	66	60	50	47	43.4	39	36	30.8	70
75				50	58	61	57	46	43	40.4	36.8	34.4	30.8	75
80					53	55	54	42.8	39.6	37.6	34.8	32.6	30.4	80
85					49	51	51	40.2	37.2	35.2	33	31	29.2	85
90					39.2	46	48	37.6	34.6	32.8	31.2	29.4	28	90
95						42.4	44	35.2	32.4	30.8	29.4	28	26.8	95
100						38.2	40.8	33.2	30.4	28.8	27.8	26.4	25.6	100
105							37.6	31.4	28.8	27.2	26.4	24.8	24.4	105
110							34.8	29.6	27	25.6	24.8	23	23.2	110
115							30.4	28	25.2	23.8	23	21.4	22	115
120								26.6	23.2	21.8	21.2	20.4	20.8	120
125								25.2	21.4	20	19.4	19.4	19.4	125
130								24.4	20.2	19	18.4	18.4	18	130
135									19.2	18	17.4	17.4	17.2	135
140									18.2	17	16.4	16.6	16.4	140
145									17.2	16	15.6	15.8	15.6	145
150									12.8	15.4	14.8	15	15	150
155										14.8	14	14.2	14.2	155
160										14.4	13.2	13.4	13.6	160
165											12.6	12.8	13	165
170											11.8	12.2	12.4	170
175											11.4	11.6	11.8	175
180												11	11.2	180
185												10.6	10.6	185
190												9.6	10.2	190
195													9.6	195
200													9.2	200

* over rear

Loads greater than 297.000 lbs can only be lifted with additional equipment

Loads greater than 335.000 lbs can only be lifted with special equipment

All Terrain Cranes

Grove GMK 5275



275 t



43.7-223.1 ft



112,400 lbs



28'1" x 26'3"



360°

85

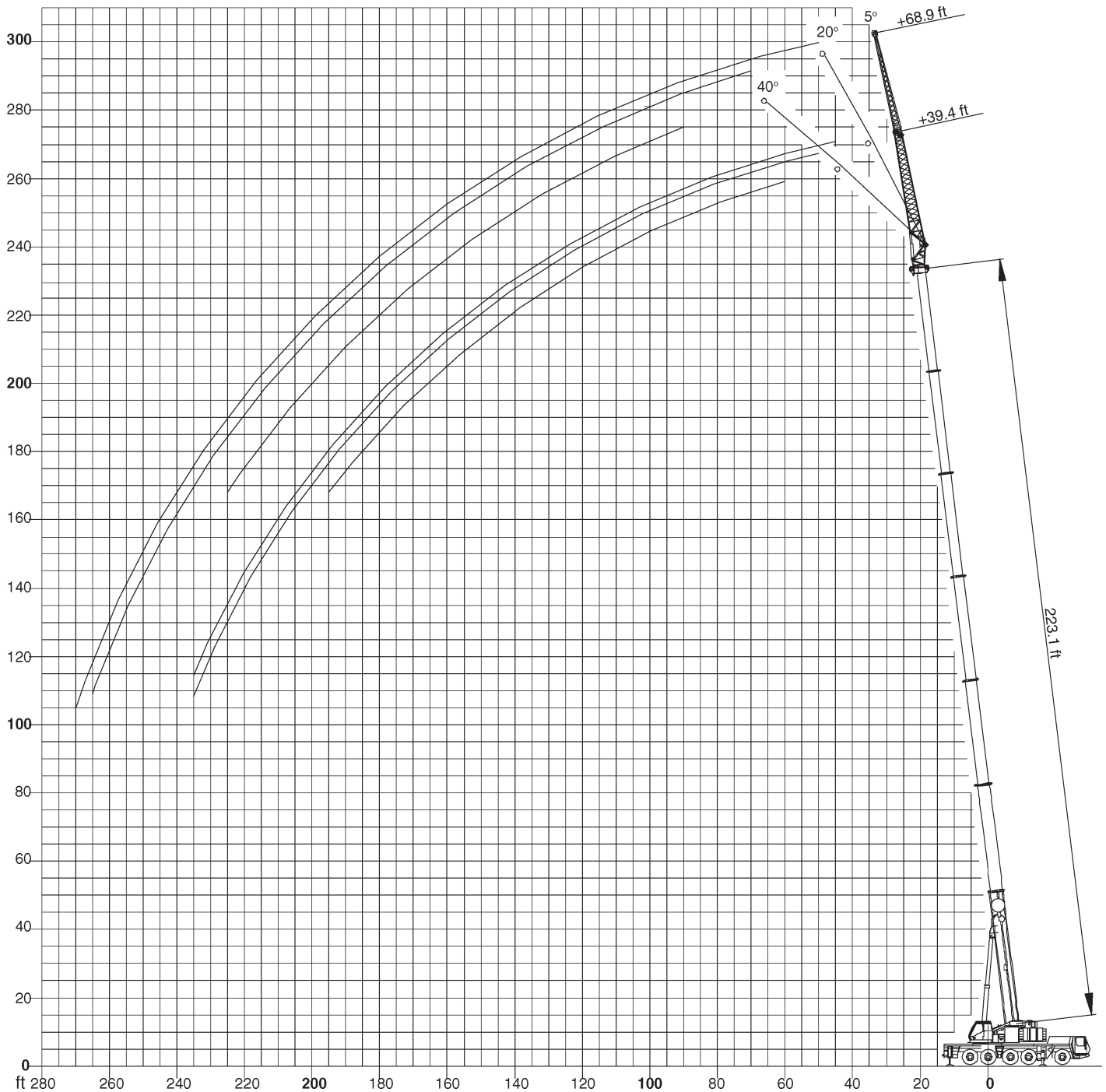
85%

ft	43.7	59.1	74.3	89.3	104.2	119.1	133.4	148.8	164	179	193.9	208.7	223.1	ft
10	336	332	312	244										10
15	262	260	258	242	185									15
20	210	211	208	210	182	144	106							20
25	176	177	176	175	166	140	106	86						25
30	149	150	150	148	150	129	105	86	69	55	45			30
35		132	130	127	124	118	96	86	69	55	45	36.4		35
40		114	111	110	103	102	88	82	69	55	45	36.4	30.8	40
45		98	95	94	90	88	81	75	68	55	45	36.4	30.8	45
50			83	82	81	76	76	70	63	55	45	36.4	30.8	50
55			72	71	72	67	68	64	59	52	45	36.4	30.8	55
60				62	64	62	60	57	54	49	44	36.4	30.8	60
65				57	56	58	54	50	49	46	41.2	36.4	30.8	65
70				51	50	52	49	45	43.8	43.2	39	36	30.8	70
75				46	45	47	44	40.8	39.6	39	36.8	34.4	30.8	75
80					41.6	42	40	37	35.8	35.4	34.8	32.6	30.4	80
85					39.2	38.2	36	34.2	32.4	32	32	31	29.2	85
90					35.8	34.6	32.6	32.8	29.4	29.2	29.2	29.4	28	90
95						31.4	29.4	31.4	26.8	26.6	26.6	27.4	26.8	95
100						28.8	26.8	28.6	24.4	24.4	24.4	25	25.6	100
105							25.2	26	22.2	22.8	22.2	23	23.6	105
110							24.2	23.8	20	21.2	20.4	21.2	21.8	110
115							23.4	21.8	18.4	20.2	19	19.4	20.2	115
120								20	17.8	19.4	18	18.6	18.6	120
125								18.4	17	18.4	17.2	17.6	17.2	125
130								16.8	16.2	17.8	16.4	16.6	15.8	130
135									15.6	16.8	15.8	15.8	14.6	135
140									15	15.4	15	14.8	13.4	140
145										14.4	14.2	13.6	12.4	145
150										13.2	13.2	12.6	11.2	150
155										12.2	12.2	11.4	10.2	155
160										11.4	11.2	10.6	9.2	160
165											10.6	9.6	8.4	165
170											9.8	8.8	7.6	170
175											9.2	8	6.8	175
180												7.2	6	180
185												6.6	5.2	185
190												6	4.6	190
195													4	195
200													3.4	200

Loads greater than 297,000 lbs can only be lifted with additional equipment

Loads greater than 335,000 lbs can only be lifted with special equipment

All information given are for reference only.



07-2011

All Terrain Cranes

Grove GMK 5275



275 t



223.1 ft



39.4/68.9 ft



169,700 lbs



28'1"x26'3"



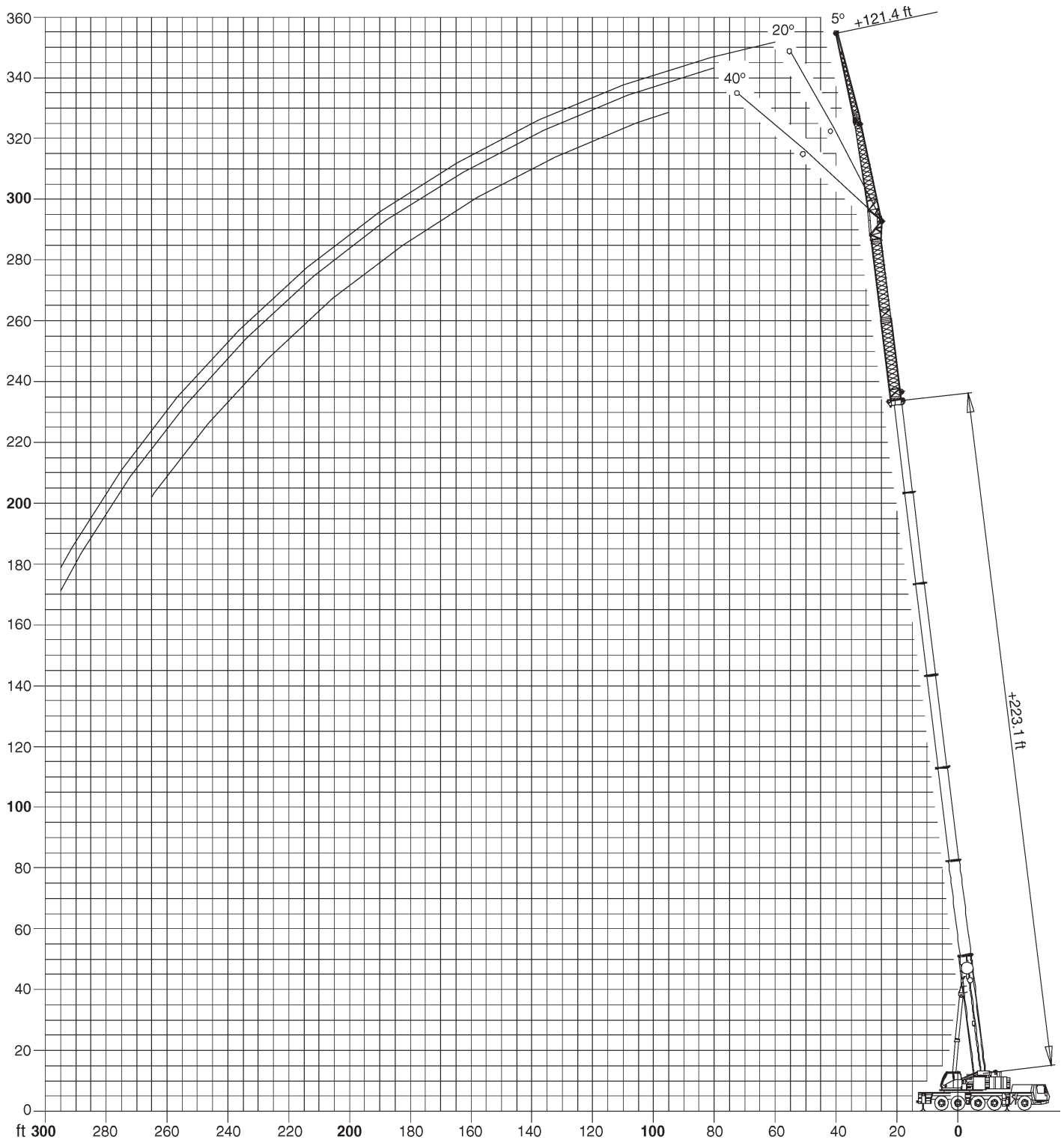
360°

85

85%

ft	5°	39.4' 5°-20°	20°-40°	5°	68.9 5°-20°	20°-40°	ft
45	16.4						45
50	16.4	16.4		10			50
55	16.4	16.4		10			55
60	16.4	16.4	16.4	10			60
65	16.4	16.4	16.4	10			65
70	16.4	16.4	16.4	10	10		70
75	16.4	16.4	16.4	10	10		75
80	16.4	16.4	16.4	10	10		80
85	16.4	16.4	16	10	10		85
90	16.4	16.2	15.6	10	10	9.4	90
95	16.4	15.8	15.2	10	10	9.4	95
100	16	15.2	14.8	10	10	9.2	100
105	15.6	14.8	14.4	10	10	9.2	105
110	15	14.4	14	10	10	9.2	110
115	14.4	13.8	13.6	10	10	9	115
120	14	13.4	13.2	10	10	9	120
125	13.6	13	12.8	10	10	9	125
130	13.2	12.6	12.4	10	9.8	8.8	130
135	12.8	12.2	12.2	10	9.6	8.8	135
140	12.4	12	11.8	9.8	9.4	8.8	140
145	12	11.6	11.4	9.4	9	8.6	145
150	11.6	11.2	11.2	9.2	8.8	8.6	150
155	11.2	11	11	9	8.6	8.4	155
160	11	10.6	10.6	8.6	8.4	8.2	160
165	10.6	10.4	10.4	8.4	8.2	8	165
170	10.2	10.2	10.2	8.2	8	8	170
175	9.8	9.8	10	8	7.8	7.8	175
180	9.6	9.6	9.6	7.8	7.6	7.6	180
185	9.2	9.2	9.4	7.6	7.4	7.4	185
190	8.8	8.8	9	7.4	7.2	7.2	190
195	8.2	8.4	8.6	7.2	7	7	195
200	8	8		7	6.8	6.8	200
205	7.6	7.8		6.8	6.6	6.8	205
210	7.2	7.4		6.6	6.4	6.6	210
215	6.8	7		6.4	6.4	6.4	215
220	6.4	6.6		6.2	6.2	6.4	220
225	6.2	6.2		6	6	6.2	225
230	5.8	6		5.8	6		230
235	5.4	5.6		5.6	5.8		235
240				5.2	5.6		240
245				5	5.2		245
250				4.8	5		250
255				4.4	4.6		255
260				4.2	4.4		260
265				4	4		265
270				3.2			270

All information given are for reference only.



07-2011

All Terrain Cranes

Grove GMK 5275



275 t



223.1 ft



95.1/121.4 ft



169,700 lbs



28'1"x26'3"



360°

85

85%

ft	95.1			121.4			ft
	5°	5°-20°	20°-40°	5°	5°-20°	20°-40°	
55	7.4						55
60	7.4			5			60
65	7.4			5			65
70	7.4			5			70
75	7.4	7.4		5			75
80	7.4	7.4		5	5		80
85	7.4	7.4		5	5		85
90	7.4	7.4		5	5		90
95	7.4	7.4	7.2	5	5	4	95
100	7.4	7.4	7.2	5	5	4	100
105	7.4	7.4	7.2	5	5	4	105
110	7.4	7.4	7.2	5	5	4	110
115	7.4	7.4	7.2	5	5	4	115
120	7.4	7.4	7.2	5	5	4	120
125	7.4	7.4	7.2	5	5	4	125
130	7.4	7.4	7.2	5	5	4	130
135	7.4	7.4	7.2	5	5	4	135
140	7.4	7.2	7	5	5	4	140
145	7.4	7.2	7	5	5	4	145
150	7.4	7	6.8	5	4.8	4	150
155	7.2	6.8	6.6	5	4.8	4	155
160	7	6.6	6.6	5	4.8	4	160
165	6.8	6.6	6.4	4.8	4.8	4	165
170	6.6	6.4	6.2	4.8	4.6	4	170
175	6.4	6.2	6.2	4.8	4.6	4	175
180	6.2	6	6	4.6	4.6	4	180
185	6	5.8	5.8	4.6	4.4	4	185
190	5.8	5.6	5.8	4.4	4.4	4	190
195	5.6	5.6	5.6	4.2	4.2	4	195
200	5.4	5.4	5.4	4.2	4	4	200
205	5.2	5.2	5.4	4	4	4	205
210	5	5	5.2	3.8	3.8	4	210
215	5	5	5	3.6	3.8	3.8	215
220	4.8	4.8	5	3.6	3.6	3.8	220
225	4.6	4.6	4.8	3.4	3.4	3.6	225
230	4.6	4.6	4.6	3.2	3.4	3.6	230
235	4.4	4.4	4.6	3.2	3.2	3.4	235
240	4.2	4.2	4.4	3	3.2	3.2	240
245	4.2	4.2	4.2	3	3	3.2	245
250	4	4		2.8	2.8	3	250
255	3.8	4		2.8	2.8	3	255
260	3.8	3.8		2.6	2.6	2.8	260
265	3.6	3.6		2.6	2.6	2.8	265
270	3.4	3.6		2.4	2.4		270
275	3.2	3.4		2.4	2.4		275
280	3	3		2.2	2.2		280
285	2.6	2.6		2.2	2.2		285
290	2.2	2.2		2	2.2		290
295				2	2		295