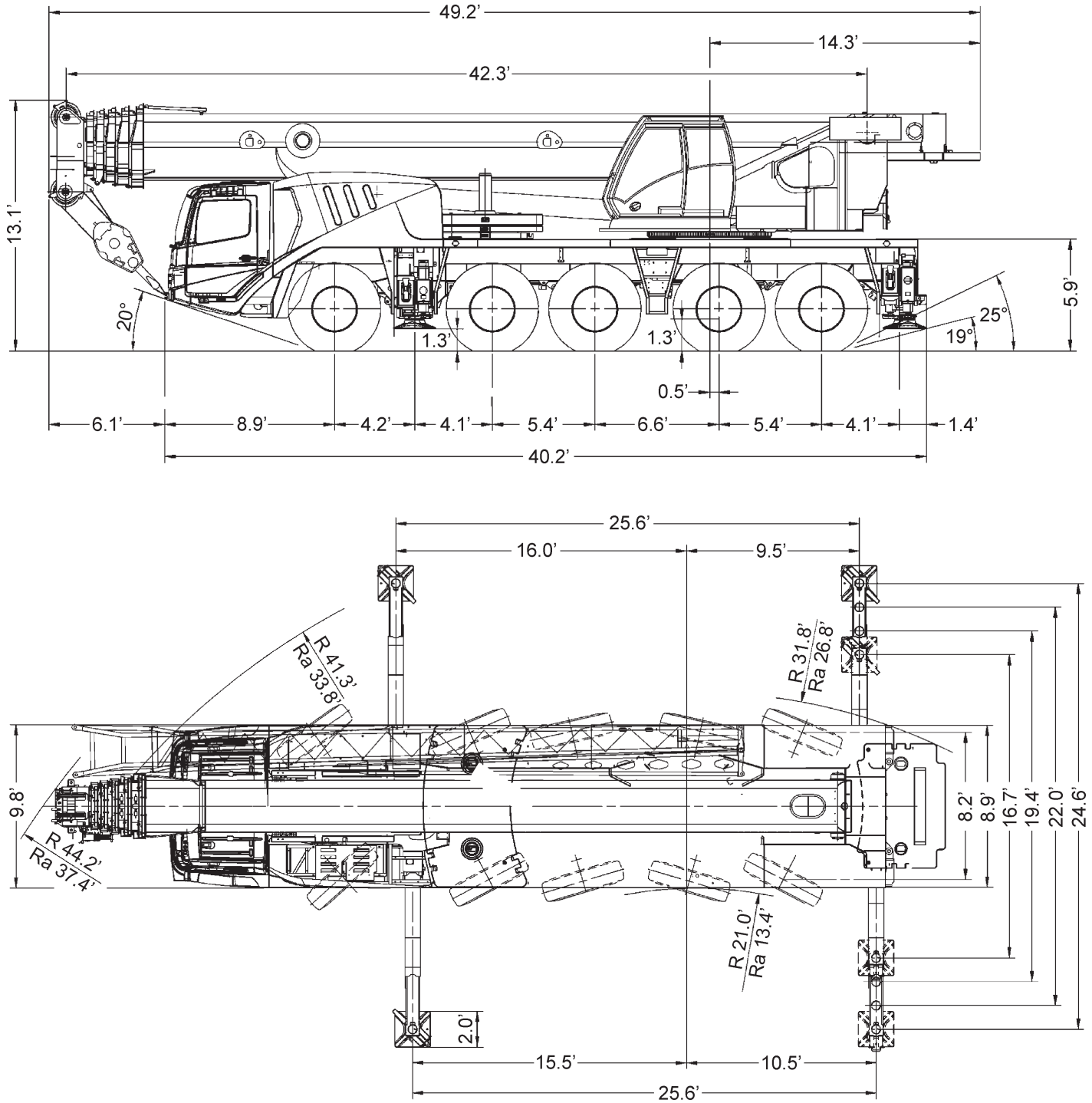
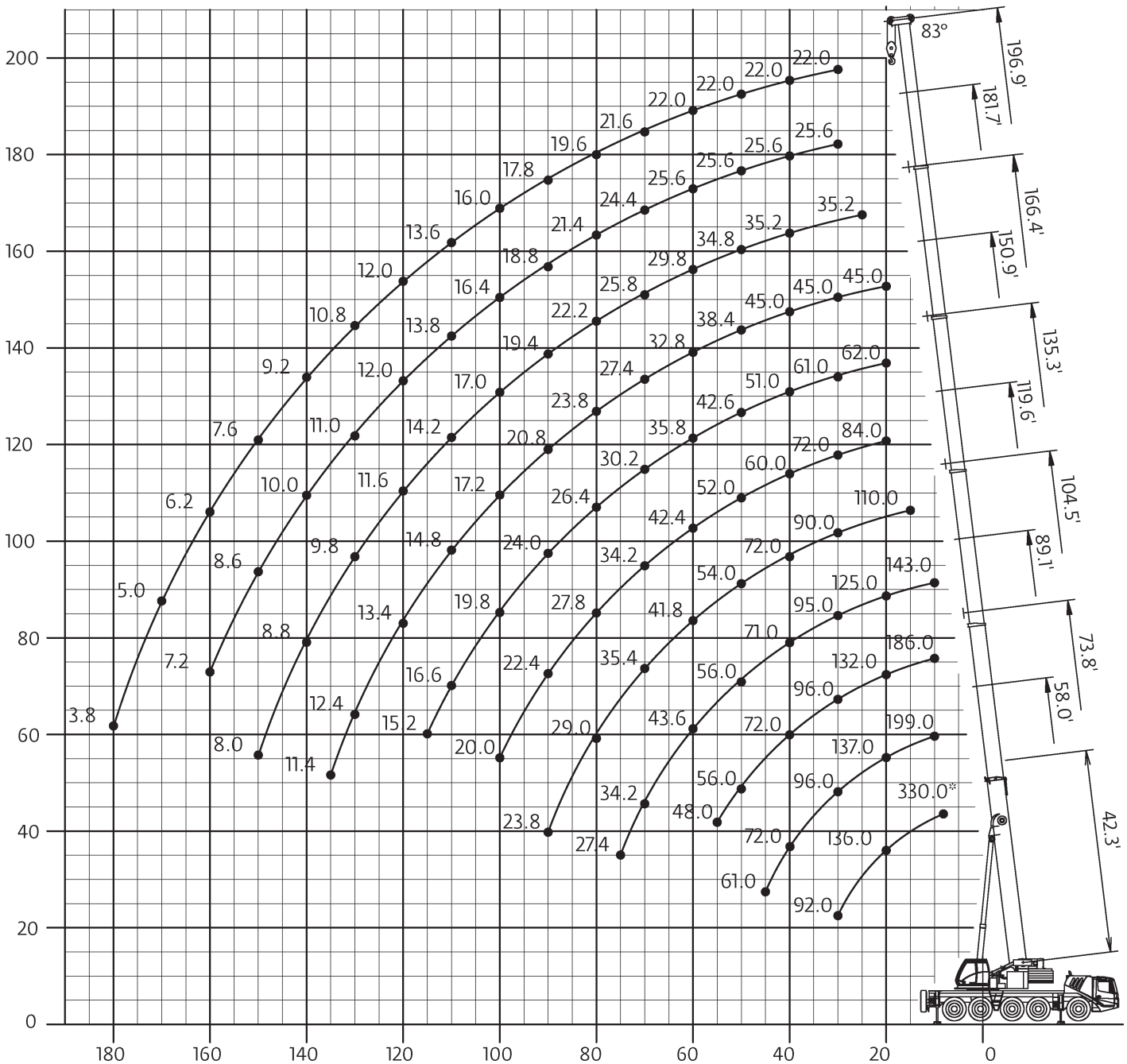


All information given are for reference only.



Crane based out of Bensalem branch.
Available in other regions upon special request




42.3-196.9 ft

88,400 lbs

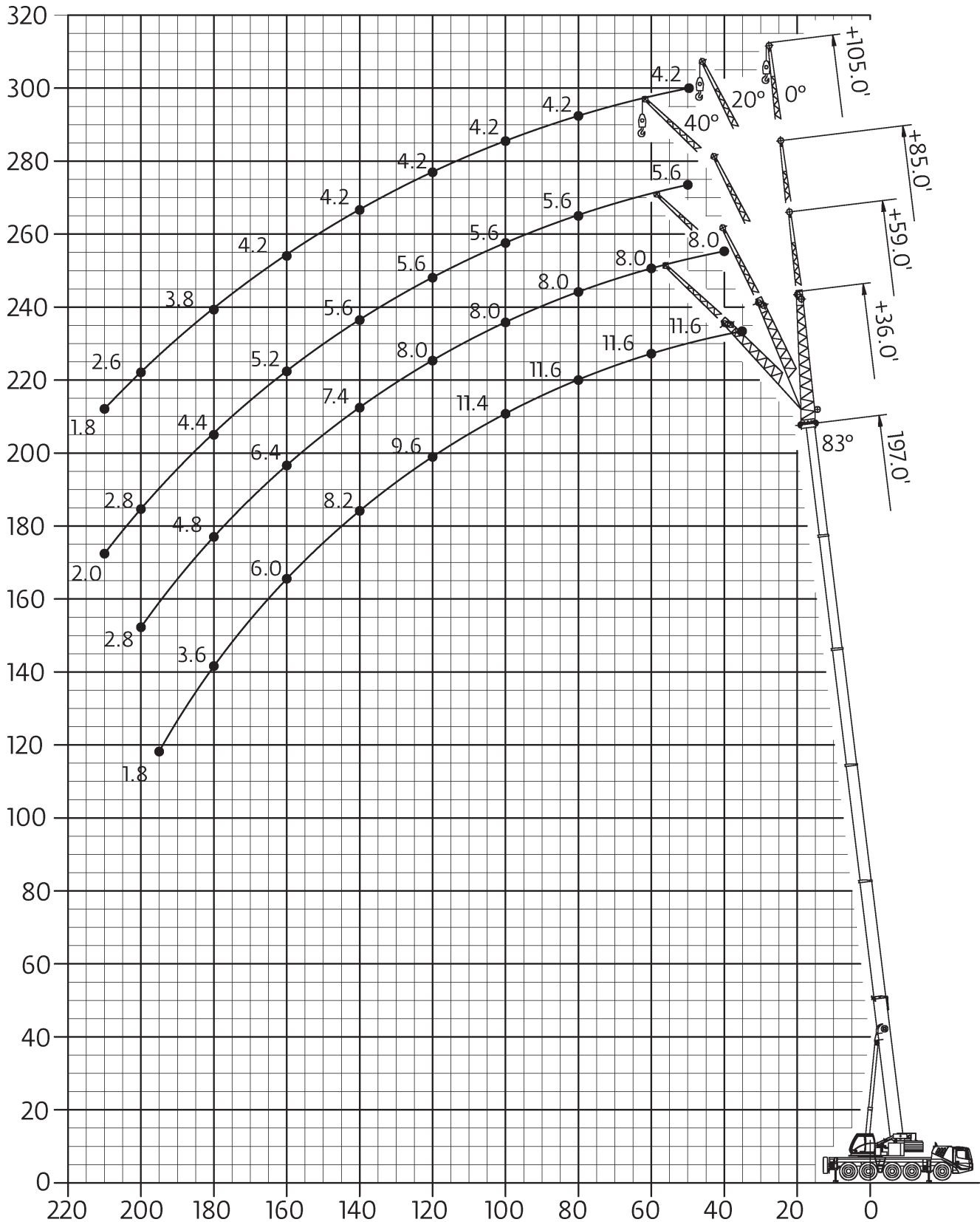
25.6'x24.6'

360°
85
85%

All information given are for reference only.

ft	42.3	58	73.8	89.1	104.5	119.6	135.3	150.9	166.4	181.7	196.9	ft
8	330*											8
10	215	199	186	143								10
15	168	165	154	143	110							15
20	136	137	132	125	108	84	62	45				20
25	113	114	114	110	98	78	62	45	35.2			25
30	92	96	96	95	90	72	61	45	35.2	25.6	22	30
35		83	83	82	82	66	56	45	35.2	25.6	22	35
40		72	72	71	72	60	51	45	35.2	25.6	22	40
45		61	63	62	62	56	47	41.4	35.2	25.6	22	45
50			56	56	54	52	42.6	38.4	34.8	25.6	22	50
55			48	50	47	48	39.2	35.6	32.4	25.6	22	55
60				43.6	41.8	42.4	35.8	32.8	29.8	25.6	22	60
65				38.4	37.6	38	32.6	29.8	27.8	25.6	22	65
70				34.2	35.4	34.2	30.2	27.4	25.8	24.4	21.6	70
75				27.4	32.2	31	28	25.4	24	23	20.6	75
80					29	27.8	26.4	23.8	22.2	21.4	19.6	80
85					26.4	25	25.2	22	20.8	20	18.6	85
90					23.8	22.4	24	20.8	19.4	18.8	17.8	90
95						21	21.8	19	18.2	17.6	17	95
100						20	19.8	17.2	17	16.4	16	100
105							18	15.8	15.6	15	14.8	105
110							16.6	14.8	14.2	13.8	13.6	110
115							15.2	14	13	12.8	12.8	115
120								13.4	11.6	12	12	120
125								12.8	10.4	11.6	11.4	125
130								12.4	9.8	11	10.8	130
135								11.4	9.4	10.4	10	135
140									8.8	10	9.2	140
145									8.4	9.4	8.4	145
150									8	8.6	7.6	150
155										7.8	6.8	155
160										7.2	6.2	160
165											5.6	165
170											5	170
175											4.4	175
180											3.8	180

* over rear with special equipments




197 ft

36/59 ft

88,400 lbs

25.6'x24.6'

360°
85
85%

All information given are for reference only.

ft	36					59					ft
	0°	0°-20°	20°-40°	*0°-20°	*20°-40°	0°	0°-20°	20°-40°	*0°-20°	*20°-40°	
35	11.6										35
40	11.6					8					40
45	11.6					8					45
50	11.6	11.6		11.2		8					50
55	11.6	11.6	11.6	11.2	11.2	8					55
60	11.6	11.6	11.6	11.2	11.2	8	8		7.2		60
65	11.6	11.6	11.6	11.2	11.2	8	8		7.2		65
70	11.6	11.6	11.6	11.2	11.2	8	8		7.2		70
75	11.6	11.6	11.6	11.2	11.2	8	8		7.2		75
80	11.6	11.6	11.6	11.2	11.2	8	8	8	7.2	7.2	80
85	11.6	11.6	11.6	11.2	11.2	8	8	8	7.2	7.2	85
90	11.6	11.6	11.6	11.2	11.2	8	8	8	7.2	7.2	90
95	11.6	11.6	11.6	11.2	11.2	8	8	8	7.2	7.2	95
100	11.4	11.4	11.4	10.8	10.8	8	8	8	7.2	7.2	100
105	11	10.8	11	10.4	10.4	8	8	8	7.2	7.2	105
110	10.6	10.4	10.6	9.8	10	8	8	8	7.2	7.2	110
115	10	10	10	9.4	9.6	8	8	8	7.2	7.2	115
120	9.6	9.6	9.6	9	9.2	8	8	8	7.2	7.2	120
125	9.2	9.2	9.2	8.6	8.8	8	8	8	7.2	7.2	125
130	8.8	8.8	8.8	8.4	8.4	7.8	7.8	8	7.2	7.2	130
135	8.4	8.4	8.6	8	8.2	7.4	7.6	7.8	7.2	7.2	135
140	8	8	8.2	7.6	7.8	7.2	7.2	7.4	6.8	7.2	140
145	7.6	7.6	7.8	7	7.4	6.8	7	7.2	6.6	6.8	145
150	6.8	6.8	7.4	6.4	6.8	6.6	6.6	6.8	6.4	6.6	150
155	6.2	6.2	6.8	5.6	6.2	6.4	6.4	6.6	6	6.4	155
160	5.6	5.6	6	5	5.6	6	6.2	6.4	5.8	6	160
165	5	5	5.4	4.4	4.8	5.6	5.6	6.2	5.2	5.8	165
170	4.4	4.4	4.8	4	4.4	5	5	5.8	4.6	5.4	170
175	3.8	3.8	4.2	3.4	3.8	4.6	4.6	5.4	4.2	5	175
180	3.2	3.2	3.6	3	3.2	4	4	4.8	3.6	4.4	180
185	2.8	2.8		2.6		3.6	3.6	4.2	3.2	3.8	185
190	2.4	2.4		2.2		3	3	3.8	2.8	3.4	190
195	1.8	1.8				2.6	2.6	3.2	2.4	3	195
200						2.2	2.2	2.8	2	2.6	200

* luffing under load

All Terrain Cranes

Grove GMK 5165-2



165 t



197 ft



85/105 ft



88,400 lbs



25.6'x24.6'



360°

85

85%

ft	85					105					ft
	0°	0°-20°	20°-40°	*0°-20°	*20°-40°	0°	0°-20°	20°-40°	*0°-20°	*20°-40°	
50	5.6					4.2					50
55	5.6					4.2					55
60	5.6					4.2					60
65	5.6					4.2					65
70	5.6	5.6		5.6		4.2			4.2		70
75	5.6	5.6		5.6		4.2	4.2		4.2		75
80	5.6	5.6		5.6		4.2	4.2		4.2		80
85	5.6	5.6		5.6		4.2	4.2		4.2		85
90	5.6	5.6	5.6	5.6	5.6	4.2	4.2	4	4.2	3.8	90
95	5.6	5.6	5.6	5.6	5.6	4.2	4.2	4	4.2	3.8	95
100	5.6	5.6	5.6	5.6	5.6	4.2	4.2	4	4.2	3.8	100
105	5.6	5.6	5.6	5.6	5.6	4.2	4.2	4	4.2	3.8	105
110	5.6	5.6	5.6	5.6	5.6	4.2	4.2	4	4.2	3.8	110
115	5.6	5.6	5.6	5.6	5.6	4.2	4.2	4	4.2	3.8	115
120	5.6	5.6	5.6	5.6	5.6	4.2	4.2	4	4.2	3.8	120
125	5.6	5.6	5.6	5.6	5.6	4.2	4.2	4	4.2	3.8	125
130	5.6	5.6	5.6	5.6	5.6	4.2	4.2	4	4.2	3.8	130
135	5.6	5.6	5.6	5.6	5.6	4.2	4.2	4	4.2	3.8	135
140	5.6	5.6	5.6	5.6	5.6	4.2	4.2	4	4.2	3.8	140
145	5.6	5.6	5.6	5.4	5.6	4.2	4.2	4	4.2	3.8	145
150	5.4	5.4	5.6	5.2	5.4	4.2	4.2	4	4.2	3.8	150
155	5	5.2	5.6	5	5.2	4.2	4.2	4	4.2	3.8	155
160	4.8	5	5.2	4.8	5	4	4.2	4	4	3.8	160
165	4.6	4.8	5	4.6	4.8	3.8	4	4	3.8	3.8	165
170	4.4	4.6	4.8	4.4	4.6	3.6	3.8	4	3.6	3.8	170
175	4.2	4.4	4.6	4.2	4.4	3.4	3.6	4	3.4	3.8	175
180	3.8	3.8	4.4	3.6	4.2	3.2	3.4	3.8	3.4	3.6	180
185	3.4	3.4	4.2	3.2	4	3	3.2	3.6	3.2	3.4	185
190	3	3	3.6	2.8	3.4	2.8	2.8	3.4	2.8	3.2	190
195	2.6	2.6	3.2	2.4	3	2.4	2.4	3	2.4	3	195
200	2.2	2.2	2.8	2	2.6	2	2	2.6	2	2.6	200
205			2.4		2.2			2.2		2.2	205
210			2					1.8			210

* luffing under load