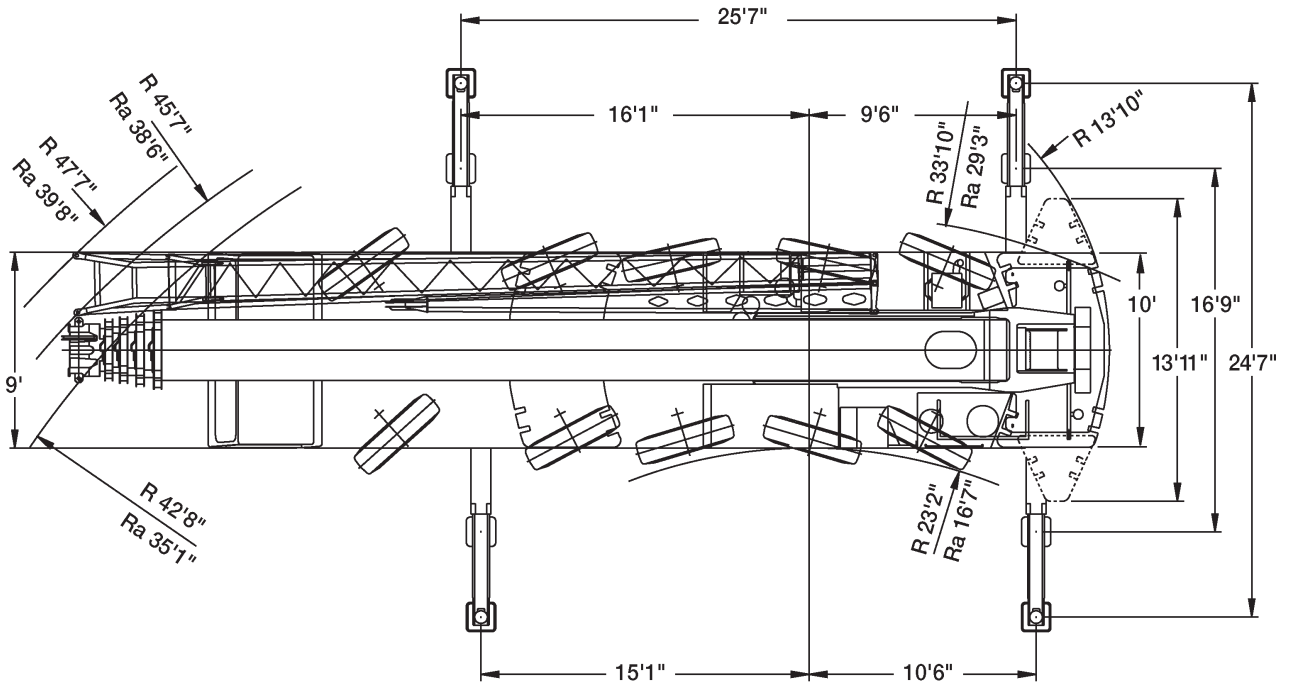
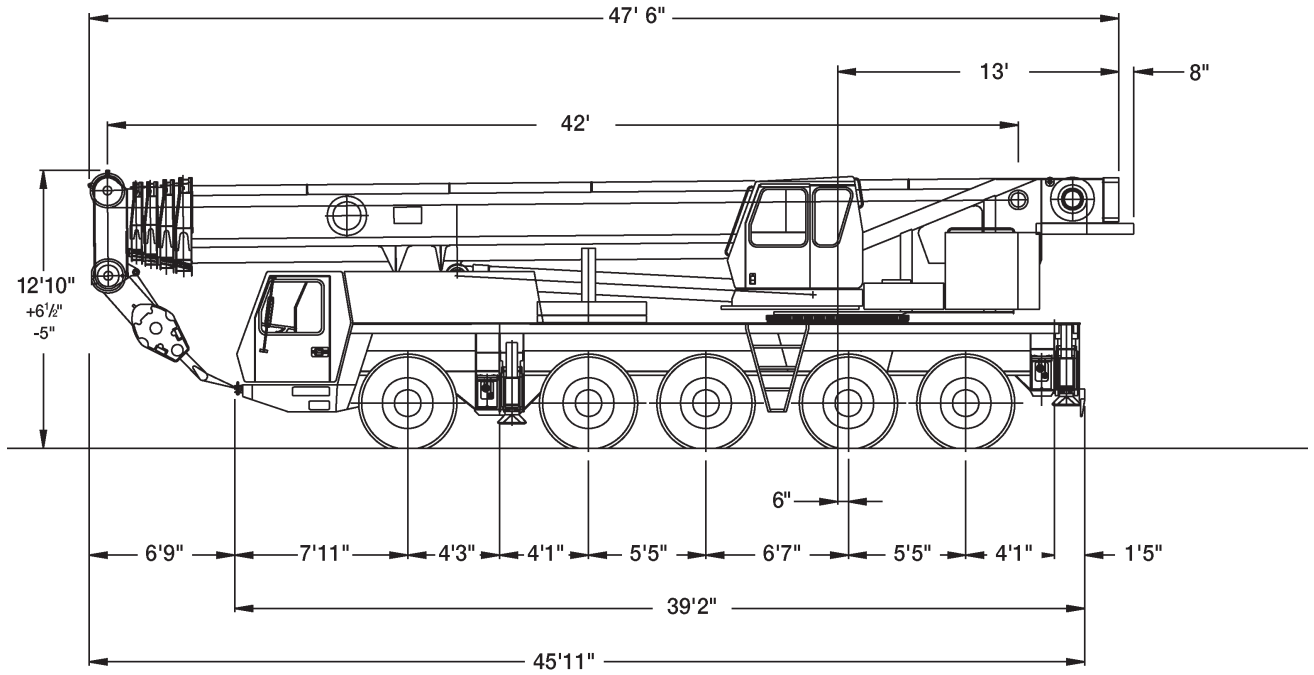
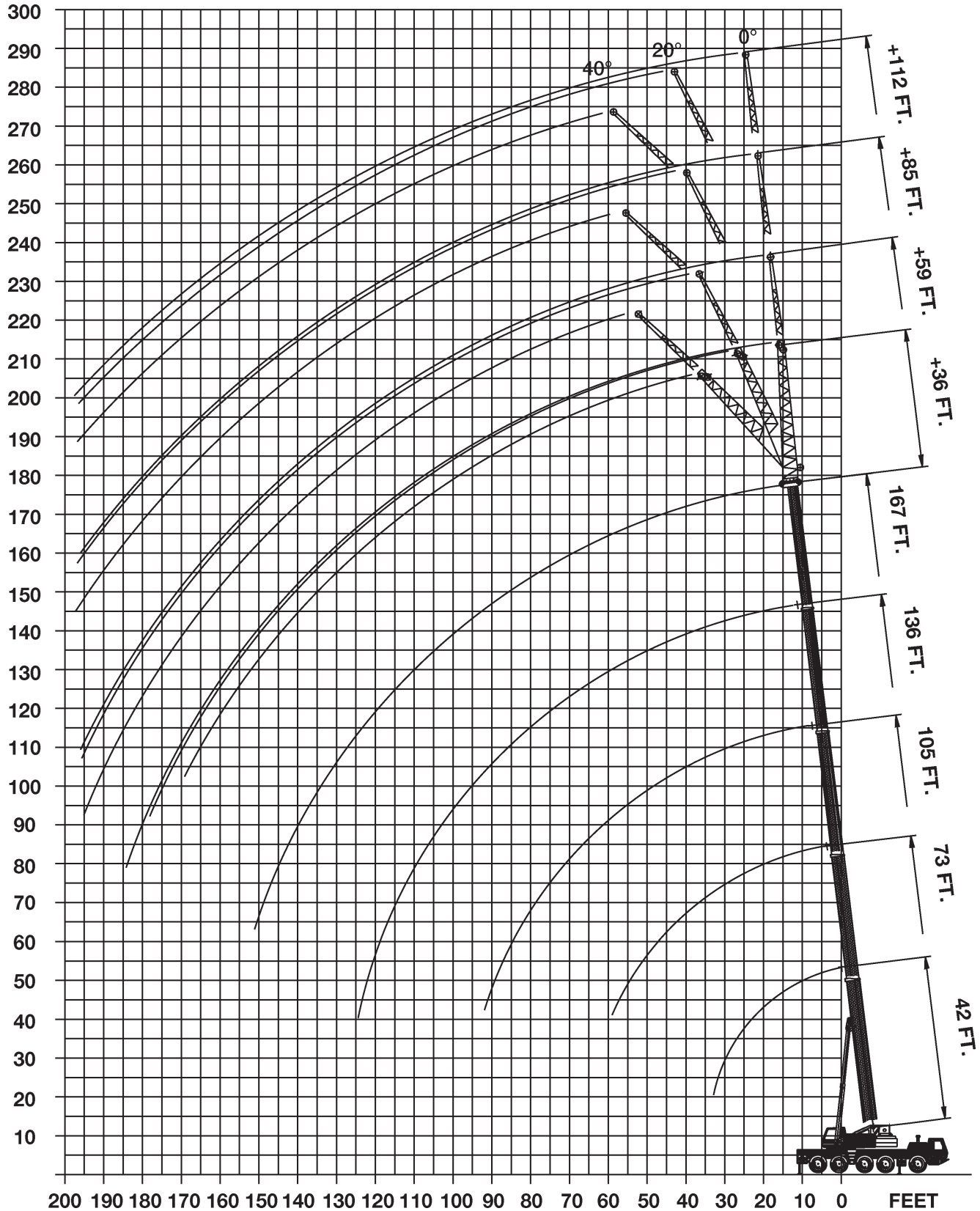


All information given are for reference only.



Crane based out of Bensalem and Cincinnati branch.
Available in other regions upon special request




42-167 ft

68,300 lbs

25'7" x 24'7"

360°
85
85%

All information given are for reference only.

ft	42*	42	58	73	89	105	120	136	152	167	ft
8	240										8
9	228										9
10	211	220	192	139							10
15	168	168	161	139	121	90					15
20	138	138	134	129	121	90	63	47			20
25	114	114	114	110	108	88	63	47	35.8		25
30	88	88	98	95	94	80	60	47	35.8	29.6	30
35			81	80	82	73	55	46	35.8	29.6	35
40			67	67	66	66	49	43.6	35.6	29.6	40
45			57	56	55	57	44	40.6	35.2	29.6	45
50				47	49	48	40.4	36.6	33	29	50
55				40.8	42.6	41.8	36.8	33.4	30.6	28.4	55
60					37.2	36.4	34	30.8	28.6	26.8	60
65					32.8	32	31	28.2	26.4	25	65
70					29.2	28.4	29	25.8	24.2	23.4	70
75					26	25.2	26.6	23.8	22.4	21.8	75
80						23	23.8	21.6	21	20.4	80
85						21.8	21.4	20.2	19.6	18.8	85
90						20.2	19.4	18.8	17.8	17.4	90
95							17.4	17.8	16	15.8	95
100							15.8	16.4	14.6	14.6	100
105								15	14	13.8	105
110								13.6	13.4	12.6	110
115								12.4	12.4	11.4	115
120								11.2	11.2	10.4	120
125									10.2	9.4	125
130									9.4	8.4	130
135									8.6	7.6	135
140										6.8	140
145										6	145
150										5.4	150

* over rear only

Lifting capacities greater than 210,000 lbs can only be lifted with additional equipment

120 t**All Terrain Cranes**

Grove GMK 5120 B

**167 ft****36/59/85/112 ft****68,300 lbs****25'7"x24'7"****360°****85****85%**

ft	36			59			85			112			ft
	5°	20°	40°	5°	20°	40°	5°	20°	40°	5°	20°	40°	
30	17.6												30
35	17.6			11.4									35
40	17.6			11.4			7.8			4.8			40
45	17.6	18		11.4			7.8			4.8			45
50	17.6	18		11.4			7.8			4.8			50
55	17.6	18	15.8	11.4			7.8			4.8			55
60	17.6	17.6	15.6	11.4	10.4		7.8			4.8			60
65	17.6	17.2	15.2	11.4	10.4		7.8			4.8			65
70	17.6	16.6	15	11.2	10.2		7.8	8.6		4.8	5.4		70
75	17.2	15.8	14.6	11.2	10.2	8.8	7.8	8.6		4.8	5.4		75
80	16.4	15.2	14.2	11.2	10	8.8	7.8	8.4	7.4	4.8	5.4		80
85	15.4	14.4	13.8	11	10	8.6	7.8	8.4	7.4	4.8	5.4		85
90	14.4	13.8	13.4	11	9.8	8.6	7.8	8.2	7.4	4.8	5.4	4.4	90
95	13.4	13.2	13	11	9.6	8.4	7.8	8.2	7.4	4.8	5.4	4.4	95
100	12.6	12.6	12.4	10.8	9.4	8.4	7.8	8	7.2	4.8	5.4	4.4	100
105	12	12	12	10.6	9.2	8.4	7.8	7.8	7.2	4.8	5.4	4.4	105
110	11.4	11.4	11.4	10.2	9	8.2	7.8	7.8	7.2	4.8	5.2	4.4	110
115	10.8	10.8	11	9.8	8.8	8.2	7.8	7.6	7	4.8	5.2	4.4	115
120	10	10.2	10.6	9.4	8.6	8.2	7.6	7.4	7	4.8	5	4.4	120
125	9.4	9.6	10	9	8.4	8	7.2	7.2	6.8	4.8	5	4.2	125
130	8.6	9	9.4	8.6	8.2	8	7	6.8	6.6	4.8	4.8	4.2	130
135	7.8	8.4	8.8	8.2	8	7.8	6.6	6.6	6.6	4.8	4.8	4.2	135
140	7	7.6	8	7.8	7.6	7.6	6.4	6.2	6.4	4.8	4.6	4.2	140
145	6.4	6.8	7.2	7.2	7.4	7.4	6	6	6.2	4.8	4.6	4.2	145
150	5.6	6.2	6.4	6.4	7	7.2	5.8	5.8	6	4.6	4.4	4.2	150
155	5	5.4	5.8	5.8	6.6	7	5.4	5.6	5.8	4.4	4.4	4	155
160	4.4	4.8		5.2	6	6.6	5.2	5.2	5.6	4.2	4.2	4	160
165	4	4.2		4.6	5.4	5.8	4.6	5	5.4	4	4	4	165
170	3.4	3.8		4.2	4.8	5.2	4.2	4.8	5	3.6	3.8	4	170
175	3	3.2		3.8	4.4	4.6	3.6	4.4	4.8	3.4	3.6	3.8	175
180	2.4	2.8		3.2	3.8		3.2	4	4.4	3.2	3.4	3.6	180
185	2			2.8	3.4		2.8	3.4	3.8	2.6	3.2	3.4	185
190	1.6			2.4	2.8		2.4	3	3.4	2.2	3	3.2	190
195				2	2.4		2	2.6	2.8	1.8	2.6	3	195
200				1.6	2		1.6	2.2	2.4	1.6	2.2	2.6	200
205					1.6			1.8			1.8	2.2	205
210												1.8	210


167 ft

36/59/85/112 ft

68,300 lbs

25'7" x 24'7"

360°
85
85%
hydraulic

ft	36			59			85			112			ft
	5°	20°	40°	5°	20°	40°	5°	20°	40°	5°	20°	40°	
30	17.4												30
35	17.4												35
40	17.4			11.6			7.8						40
45	17.4	17.4		11.4			7.8						45
50	17.4	17.4		11.4			7.8						50
55	17.4	17.4	15	11.4			7.8						55
60	17.4	17.4	14.8	11.2	10.4		7.8			4.8			60
65	17.4	17.2	14.6	11.2	10.4		7.8			4.8			65
70	17	16.6	14.4	11.2	10.2		7.8	7.8		4.8	4.8		70
75	16.4	15.8	14.2	11	10.2	8.2	7.8	7.8		4.8	4.8		75
80	15.8	15.2	13.8	11	10.2	8	7.8	7.8	7.4	4.8	4.8		80
85	15.2	14.4	13.6	10.8	10	7.8	7.8	7.8	7.4	4.8	4.8		85
90	14.4	13.8	13.4	10.8	10	7.8	7.8	7.8	7.4	4.8	4.8		90
95	13.4	13.2	13	10.8	9.8	7.6	7.8	7.8	7.4	4.8	4.8	4.4	95
100	12.6	12.6	12.4	10.6	9.8	7.6	7.8	7.8	7.2	4.8	4.8	4.4	100
105	12	12	12	10.4	9.6	7.4	7.8	7.8	7.2	4.8	4.8	4.4	105
110	11.4	11.4	11.4	10	9.6	7.4	7.8	7.8	7.2	4.8	4.8	4.4	110
115	10.8	10.8	10.8	9.6	9.2	7.2	7.8	7.6	7	4.8	4.8	4.4	115
120	10.2	10.2	10.2	9.2	9	7.2	7.6	7.4	7	4.8	4.8	4.4	120
125	9.4	9.4	9.4	8.8	8.6	7.2	7.2	7.2	6.8	4.8	4.8	4.2	125
130	8.6	8.8	8.8	8.4	8.4	7	7	6.8	6.6	4.8	4.8	4.2	130
135	7.6	8.2	8.4	8	8	7	6.6	6.6	6.6	4.8	4.8	4.2	135
140	6.8	7.4	7.8	7.8	7.6	7	6.4	6.2	6.2	4.8	4.6	4.2	140
145	6.2	6.6	7	7.2	7.4	6.8	6	6	6	4.8	4.6	4.2	145
150	5.6	5.8	6.2	6.4	7	6.8	5.8	5.8	5.8	4.6	4.4	4.2	150
155	5	5.2	5.4	5.8	6.4	6.6	5.6	5.6	5.6	4.4	4.4	4	155
160	4.4	4.6		5.2	5.8	6.2	5.2	5.2	5.2	4.2	4.2	4	160
165	3.8	4		4.6	5.2	5.6	4.6	5	5	4	4	4	165
170	3.4	3.6		4.2	4.6	5	4	4.6	4.8	3.8	3.8	3.8	170
175	2.8	3		3.6	4.2	4.4	3.6	4.2	4.6	3.6	3.6	3.6	175
180	2.4	2.6		3.2	3.6		3.2	3.6	4.2	3	3.4	3.4	180
185	2			2.8	3.2		2.6	3.2	3.6	2.6	3.2	3.2	185
190	1.6			2.4	2.6		2.2	2.8	3	2.2	2.8	3	190
195				2	2.2		1.8	2.4	2.6	1.8	2.4	2.8	195
200					1.8		1.6	2	2.2		2	2.4	200
205											1.6	1.8	205

All information given are for reference only.

All Terrain Cranes

Hydraulic Truck Cranes

Boom Trucks

Carry Decks

Rough Terrain Cranes

Tower Cranes

Tower Cranes

General Information

All Terrain Cranes

Grove GMK 5120 B



120 t



167 ft



36/59/85/112 ft



68,300 lbs



25'7"x24'7"



360°

85

85%

hydraulic

ft	36		59		85		112		ft
	*5°-20°	*20°-40°	*5°-20°	*20°-40°	*5°-20°	*20°-40°	*5°-20°	*20°-40°	
45	15.8								45
50	15.8								50
55	15.8	12.6							55
60	15.8	12.4	9.4						60
65	15.6	12.0	9.4						65
70	15.0	11.8	9.4		7.2		4.4		70
75	14.4	11.6	9.2	6.4	7.2		4.4		75
80	13.8	11.4	9.2	6.2	7.2	6.4	4.4		80
85	13.2	11.0	9.2	6.2	7.2	6.2	4.4		85
90	12.6	10.8	9.0	6.0	7.2	6.2	4.4	4.0	90
95	12.0	10.6	9.0	5.8	7.2	6.0	4.4	4.0	95
100	11.4	10.4	9.0	5.8	7.2	5.8	4.4	4.0	100
105	10.8	10.4	8.8	5.6	7.2	5.8	4.4	4.0	105
110	10.4	10.2	8.6	5.6	7.0	5.6	4.4	4.0	110
115	9.8	9.8	8.2	5.4	7.0	5.6	4.4	4.0	115
120	9.2	9.2	8.0	5.4	6.8	5.4	4.4	4.0	120
125	8.6	8.6	7.8	5.2	6.4	5.4	4.4	3.8	125
130	7.8	8.0	7.6	5.2	6.2	5.4	4.4	3.8	130
135	7.0	7.4	7.2	5.0	6.0	5.2	4.4	3.8	135
140	6.2	6.6	7.0	5.0	5.8	5.2	4.2	3.8	140
145	5.6	6.0	6.4	5.0	5.4	5.2	4.2	3.8	145
150	5.0	5.4	5.8	5.0	5.2	5.0	4.0	3.8	150
155	4.4	4.8	5.2	4.8	5.2	5.0	4.0	3.8	155
160	4.0		4.8	4.8	4.6	4.8	3.8	3.6	160
165	3.4		4.2	4.8	4.2	4.6	3.6	3.6	165
170	3.0		3.8	4.2	3.8	4.2	3.4	3.4	170
175	2.6		3.4	3.8	3.2	3.8	3.2	3.2	175
180	2.2		2.8		2.8	3.4	2.8	3.0	180
185			2.6		2.4	2.8	2.4	2.8	185
190			2.2		2.0	2.4	2.0	2.4	190
195			1.8		1.8	2.2	1.6	2.2	195
200						1.8		1.8	200

* luffing under load