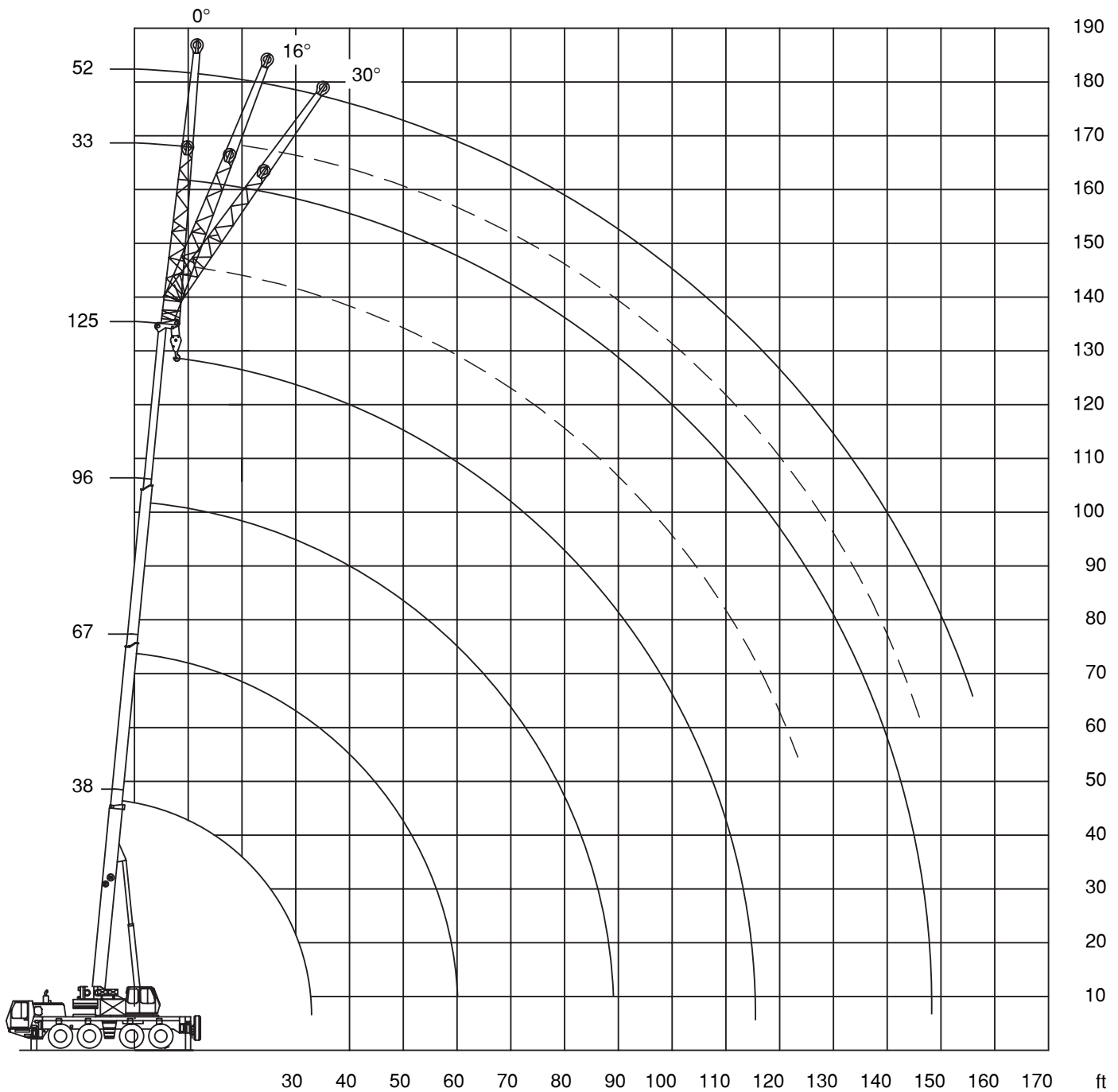


All information given are for reference only.

07-2011

Ra = Radius all wheels steered




38-125 ft

29,500 lbs

27'5" x 23'7"

360°
85
85%

ft	38	67	96	113	125	ft
10	170					10
15	133	85				15
20	100	79	43.6	34		20
25	79	68	43.6	32.4	24.2	25
30		57	38.8	29.4	24.2	30
35		44	34.8	26.8	24.2	35
40		35.2	31.4	24.6	24	40
45		30.6	28.6	22.6	22.2	45
50		25.8	23.8	20.8	20.4	50
55			19.6	19	18.6	55
60			17.8	17.2	17	60
65			16.6	15.2	15.6	65
70			15.6	13	13.8	70
75			14	11.2	11.8	75
80			12.4	9.6	10.2	80
85			11	8.2	8.8	85
90				7	7.6	90
95				6	6.6	95
100					5.6	100
105					4.8	105
110					4	110

All information given are for reference only.

All Terrain Cranes

Grove GMK 4085



85 t



125 ft



33/52 ft



29,500 lbs



27'5" x 23'7"



360°

85

85%

ft	0°	33 16°	30°	0°	52 16°	30°	ft
30	11.2						30
35	11.2	8.8	6.6	6			35
40	11.2	8.8	6.6	6	6		40
45	11.2	8.8	6.6	6	6		45
50	11	8.4	6.4	6	6	4.4	50
55	10.2	8	6	6	5.8	4.4	55
60	9.6	7.6	5.8	6	5.6	4.4	60
65	9	7.4	5.6	5.8	5.4	4.2	65
70	8.4	7	5.4	5.6	5.2	4	70
75	7.8	6.6	5.2	5.2	5	4	75
80	7.4	6.4	5.2	4.8	4.8	3.8	80
85	7	6	5	4.6	4.6	3.8	85
90	6.6	5.8	5	4.4	4.4	3.6	90
95	6.2	5.6	4.8	4.2	4	3.6	95
100	6	5.4	4.8	4	3.8	3.6	100
105	5.6	5	4.6	4	3.6	3.4	105
110	4.8	4.8	4.6	3.8	3.4	3.4	110
115	4.2	4.4	4.6	3.8	3.2	3.4	115
120	3.4	3.8	4	3.6	3.2	3.2	120
125	2.8	3.2	3.2	3.4	3	3.2	125
130	2.4	2.6	2.6	3	3	3.2	130
135	1.8	2	2	2.4	2.8	3	135
140	1.4	1.6	1.4	2	2.4	2.6	140
145				1.6	1.8	2	145
150				1.2	1.4	1.6	150