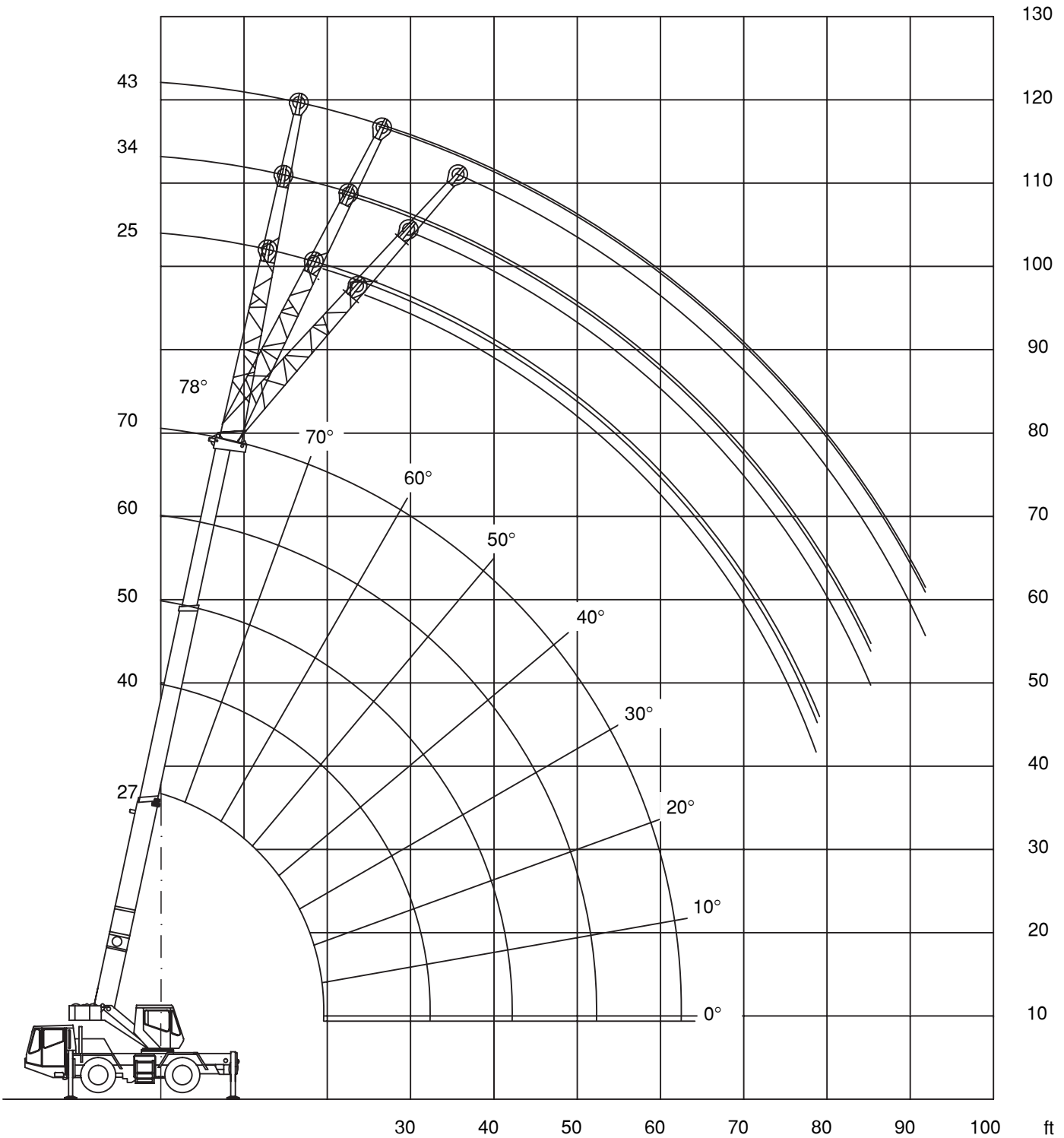


All information given are for reference only.

07-2011




27-70 ft

fix

18'1" x 18'6"

360°
85
85%

ft	27	40	50	60	70	ft
8	44	43.65	42.45			8
9	41	41	39.85			9
10	40	38	37.55			10
12	31.45	31.45	31.45	31.45		12
15	24.3	24.3	24.3	24.3	22	15
20	18	17.65	17.65	17.65	17.65	20
25		13.3	13.3	13.3	13.3	25
30		10.4	10.4	10.4	10.4	30
35			8.58	8.58	8.58	35
40			7	7	7	40
45				5.84	5.84	45
50				4.8	4.8	50
55					3.9	55
60					3.2	60

All information given are for reference only.

22 t**All Terrain Cranes**

Grove AT 422

**70 ft****25/34/43 ft****fix****18'1"x18'6"****360°****85****85%**

ft	25			34			43			ft
	0°	15°	30°	0°	15°	30°	0°	15°	30°	
20	12.5			8.5			5			20
25	10.75	7.5		8.03			4.75			25
30	9.81	6.87	5.5	7.17	5.5		4.36			30
35	8.93	6.33	5.11	6.39	4.91	3.6	4.02	3		35
40	7.86	5.86	4.77	5.68	4.54	3.29	3.71	2.8	2.3	40
45	6.22	5.45	4.49	5.04	4.18	2.93	3.42	2.65	2.21	45
50	4.96	4.96	4.26	4.59	3.84	2.65	3.17	2.51	2.16	50
55	3.97	3.97	3.97	4.2	3.51	2.43	2.94	2.4	2.1	55
60	3.17	3.17	3.17	3.52	3.2	2.25	2.73	2.3	2.03	60
65	2.51	2.51	2.51	2.91	2.9	2.1	2.54	2.21	1.97	65
70	1.96	1.96	1.96	2.39	2.39	1.97	2.36	2.13	1.89	70
75	1.48	1.48	1.48	1.96	1.96	1.85	2.14	2.06	1.82	75
80	1.08	1.08	1.08	1.58	1.58	1.58	2.01	2	1.73	80
85				1.25	1.25	1.25	1.67	1.67	1.64	85
90							1.37	1.37	1.37	90
95							1.1	1.1		95