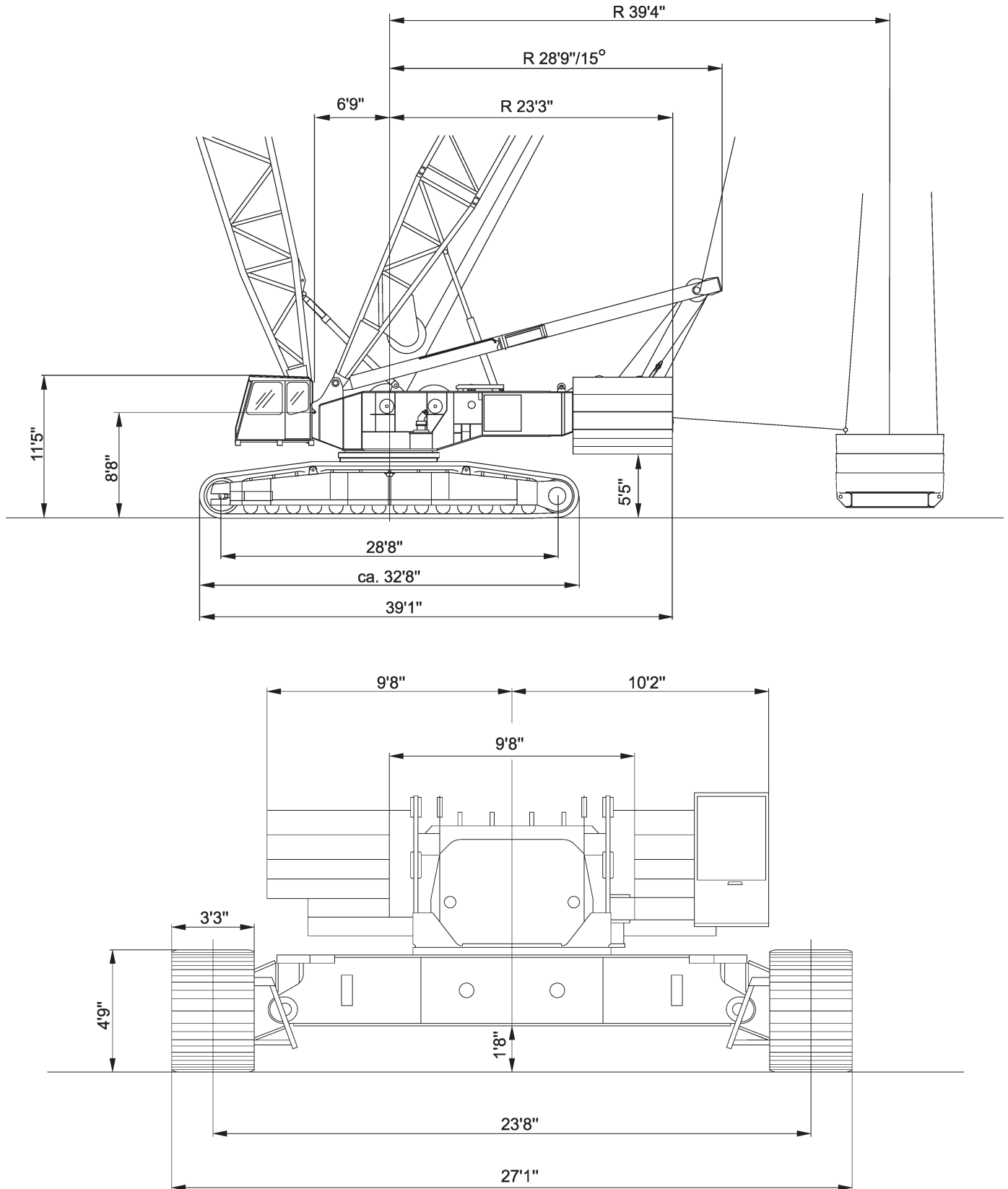
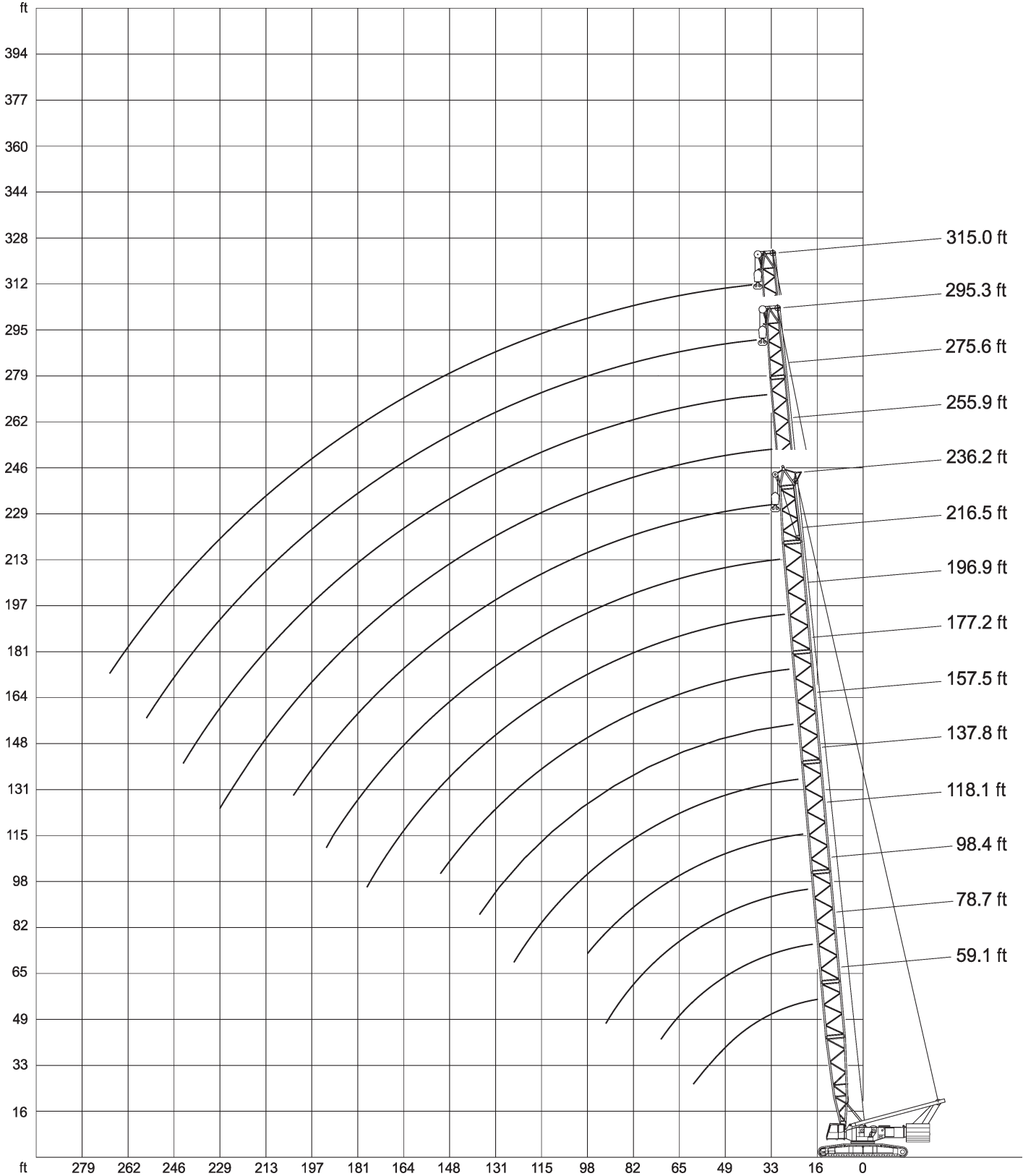


All information given are for reference only.



07-2011

330 t




59.1-236.2 ft

264,500 lbs

23'8"

360°
75
75%
SH

ft	59.1	78.7	98.4	118.1	137.8	157.5	177.2	196.9	216.5	236.2	ft
16	601.9										16
18	579.8	628.3									18
21	546.7	593									21
23	526.9	573.2	555.6								23
26	500.4	537.9	535.7	533.5	529.1						26
30	440.9	438.7	436.5	436.5	434.3	434.3					30
33	370.4	368.2	366	366	363.8	363.8	361.6	306.4			33
39	286.6	284.4	282.2	280	280	277.8	275.6	273.4	246.9	207.2	39
45	233.7	231.5	229.3	227.1	224.9	224.9	222.7	222.7	218.3	198.4	45
51	196.2	194	191.8	189.6	187.4	185.2	185.2	183	183	178.6	51
57	165.3	163.1	160.9	158.7	158.7	156.5	154.3	154.3	152.1	152.1	57
63		143.3	141.1	138.9	136.7	134.5	134.5	132.3	132.3	130.1	63
69		125.7	123.5	121.3	119	119	116.8	116.8	114.6	114.6	69
75			110.2	108	105.8	103.6	103.6	101.4	101.4	99.2	75
81			99.2	97	94.8	92.6	92.6	90.4	88.2	88.2	81
87			90.4	88.2	86	83.8	81.6	81.6	79.4	79.4	87
93				79.4	77.2	75	75	72.8	72.8	70.5	93
99					70.5	68.3	66.1	66.1	63.9	63.9	99
111					59.5	57.3	55.1	55.1	52.9	52.9	111
123					50.7	48.5	46.3	46.3	44.1	41.9	123
135						41.9	39.7	37.5	37.5	35.3	135
147							35.3	33.1	30.9	28.7	147
159								26.5	26.5	24.3	159
171								24.3	22	19.8	171
183									17.6	15.4	183
195										13.2	195
203										11	203

with 66,100 lbs central ballast

All information given are for reference only.

Crawler Cranes

Demag CC 1800



330 t



177.2-315 ft



264,500 lbs



23'8"



360°

75

75%

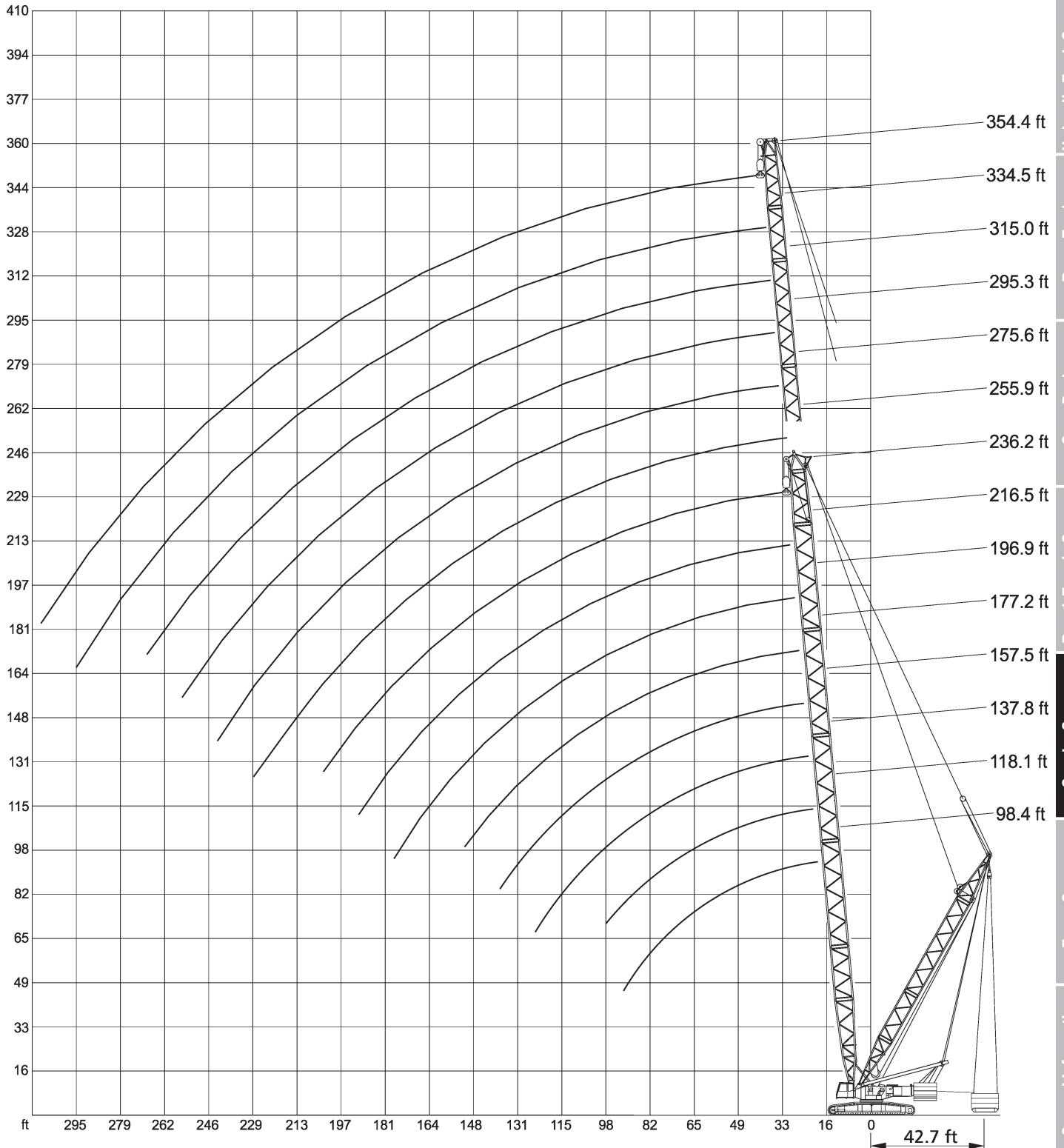
SH/LH

ft	177.2	196.9	216.5	236.2	255.9	275.6	295.3	315	255.9*	275.6*	295.3*	ft
30	308.6											30
33	306.4	257.9	224.9									33
39	280	242.5	209.4									39
45	229.3	224.9	194	172	152.1	130.1			163.1	152.1		45
51	191.8	191.8	180.8	158.7	143.3	125.7	101.4	88.2	154.3	147.7	119	51
57	163.1	160.9	158.7	145.5	134.5	121.3	99.2	83.8	143.3	145.5	116.8	57
63	141.1	138.9	138.9	134.5	127.9	119	94.8	79.4	132.3	134.5	112.4	63
69	123.5	123.5	123.5	121.3	119	114.6	90.4	77.2	119	119	108	69
75	110.2	108	108	108	108	105.8	88.2	75	105.8	103.6	101.4	75
81	99.2	97	97	97	94.8	94.8	83.8	72.8	94.8	92.6	92.6	81
87	88.2	88.2	88.2	86	86	86	81.6	70.5	83.8	83.8	81.6	87
93	81.6	79.4	79.4	79.4	77.2	77.2	77.2	68.3	77.2	75	75	93
99	72.8	72.8	72.8	70.5	70.5	70.5	68.3	66.1	68.3	68.3	66.1	99
111	61.7	61.7	61.7	59.5	59.5	57.3	57.3	57.3	57.3	57.3	55.1	111
123	52.9	52.9	50.7	50.7	50.7	48.5	48.5	48.5	48.5	46.3	46.3	123
135	46.3	46.3	44.1	44.1	44.1	41.9	41.9	39.7	41.9	39.7	39.7	135
147	41.9	39.7	39.7	37.5	37.5	35.3	35.3	33.1	35.3	33.1	33.1	147
159		35.3	33.1	33.1	30.9	30.9	28.7	28.7	28.7	28.7	26.5	159
171		30.9	28.7	28.7	26.5	26.5	24.3	24.3	26.5	24.3	22	171
183			26.5	24.3	24.3	22	22	19.8	22	20.7	20.1	183
195				22	19.8	19.8	17.6	17.6	19.4	17.6	17	195
207					17.6	15.4	15.4	13.2	16.5	14.8	13.9	207
219					15.4	13.2	13.2	11	14.1	12.1	11.5	219
231						11	11	8.8		10.1	9.3	231
243							8.8					243
255							6.6					255

with 66,100 lbs central ballast

* Heavy base length 231.3 ft

All information given are for reference only.



07-2011

Crawler Cranes

Demag CC 1800



330 t



75

98.4-157.5 ft

98.4 ft

264,500 lbs

0-396,800 lbs

23'8"

360°

75%

SSL

42.7 ft

ft	98.4						118.1						ft
	0	88.2	176.4	264.6	352.7	396.8	0	88.2	176.4	264.6	352.7	396.8	
21	476.2	619.5											21
23	456.4	619.5					504.9	634.9					23
26	434.3	610.7	661.4				451.9	621.7	634.9				26
30	412.3	571	654.8				407.9	568.8	630.5				30
33	370.4	515.9	595.2	634.9			368.2	511.5	593	630.5			33
39	302	421.1	507.1	573.2			299.8	421.1	502.7	568.8			39
45	246.9	352.7	436.5	500.4			244.7	350.5	436.5	496	553.4		45
51	205	297.6	377	440.9	493.8	518.1	205	295.4	377	483.7	491.6	518.1	51
57	174.2	253.5	326.3	390.2	440.9	463	172	251.3	326.3	388	436.5	460.8	57
63	152.1	220.5	288.8	346.1	399	418.9	149.9	218.3	286.6	346.1	394.6	416.7	63
69	134.5	196.2	257.9	310.9	361.6	383.6	132.3	194	255.7	310.9	359.4	379.2	69
75	119	174.2	231.5	280	326.3	348.3	116.8	172	229.3	280	326.3	346.1	75
81	108	158.7	209.4	255.7	299.8	319.7	105.8	156.5	207.2	255.7	297.6	319.7	81
87	97	145.5	191.8	235.9	275.6	284.4	94.8	143.3	189.6	233.7	273.4	295.4	87
93	90.4	134.5	178.6	220.5	255.7	255.7	88.2	130.1	174.2	216.1	253.5	273.4	93
98							79.4	121.3	160.9	200.6	235.9	253.5	98

with 66,100 lbs central ballast

ft	137.8						157.5						ft
	0	88.2	176.4	264.6	352.7	396.8	0	88.2	176.4	264.6	352.7	396.8	
23	524.7	551.2											23
26	449.7	551.2	604.1*				460.8	511.5*					26
30	405.7	546.7	601.9*				405.7	511.5*	533.5*				30
33	366	509.3	590.8*	601.9*			363.8	504.9*	531.3*				33
39	299.8	421.1	500.4	566.6			297.6	423.3	496.0*				39
45	242.5	348.3	434.3	493.8	551.2		242.5	348.3	434.3	489.4			45
51	202.8	293.2	374.8	436.5	489.4	515.9	200.6	291	374.8	434.3	485		51
57	172	249.1	324.1	388	434.3	458.6	169.8	246.9	324.1	385.8	432.1	456.4	57
63	147.7	218.3	286.6	346.1	392.4	414.5	147.7	216.1	284.4	343.9	390.2	412.3	63
69	130.1	191.8	253.5	308.6	357.1	377	130.1	191.8	253.5	308.6	354.9	374.8	69
75	114.6	172	227.1	277.8	324.1	343.9	114.6	169.8	224.9	277.8	324.1	341.7	75
81	103.6	154.3	205	253.5	297.6	317.5	101.4	152.1	202.8	253.5	297.6	315.3	81
87	92.6	141.1	187.4	233.7	273.4	293.2	92.6	138.9	185.2	231.5	273.4	293.2	87
93	86	127.9	172	216.1	253.5	271.2	83.8	127.9	169.8	213.8	251.3	271.2	93
99	77.2	116.8	158.7	198.4	233.7	251.3	77.2	116.8	156.5	196.2	233.7	251.3	99
111	66.1	101.4	136.7	172	205	220.5	63.9	99.2	134.5	169.8	202.8	218.3	111
123	57.3	88.2	121.3	152.1	180.8	194	55.1	86	119	149.9	178.6	194	123
135							48.5	77.2	105.8	134.5	160.9	174.2	135

with 66,100 lbs central ballast

* Hook block does not reach the ground


75
177.2-236.2 ft
98.4 ft
264,500 lbs
0-396,800 lbs
23'8"
360°
75%
SSL
42.7 ft

ft	177.2						196.9						ft
	0	88.2	176.4	264.6	352.7	396.8	0	88.2	176.4	264.6	352.7	396.8	
30	403.4	438.7					368.2	372.6					30
33	361.6	429.9	460.8*				363.8	372.6					33
39	295.4	418.9	460.8*				295.4	372.6					39
45	240.3	346.1	425.5	460.8*			240.3	339.5	399.0*				45
51	200.6	291	374.8	427.7			198.4	288.8	370.4	399.0*			51
57	167.6	246.9	324.1	383.6	412.3		167.6	244.7	324.1	377			57
63	145.5	213.8	284.4	343.9	385.8		145.5	213.8	282.2	343.9	381.4		63
69	127.9	189.6	251.3	308.6	352.7	370.4	125.7	187.4	249.1	308.6	352.7	366	69
75	112.4	167.6	222.7	277.8	321.9	339.5	110.2	167.6	222.7	277.8	319.7	339.5	75
81	101.4	152.1	202.8	253.5	295.4	313.1	99.2	149.9	200.6	251.3	295.4	313.1	81
87	90.4	136.7	185.2	231.5	271.2	291	90.4	136.7	183	229.3	271.2	288.8	87
93	81.6	125.7	169.8	211.6	251.3	271.2	81.6	123.5	167.6	211.6	251.3	269	93
99	75	114.6	154.3	196.2	231.5	249.1	72.8	112.4	154.3	194	231.5	249.1	99
111	61.7	97	134.5	169.8	202.8	218.3	61.7	97	132.3	167.6	202.8	218.3	111
123	52.9	83.8	116.8	147.7	178.6	191.8	50.7	83.8	114.6	147.7	178.6	191.8	123
135	46.3	75	103.6	132.3	158.7	172	44.1	72.8	101.4	130.1	158.7	172	135
147	39.7	66.1	92.6	119	143.3	154.3	37.5	63.9	90.4	116.8	143.3	154.3	147
159							33.1	57.3	81.6	105.8	127.9	138.9	159
171							28.7	50.7	72.8	94.8	116.8	127.9	171

with 66,100 lbs central ballast

* Hook block does not reach the ground

ft	216.5						236.2						ft
	0	88.2	176.4	264.6	352.7	396.8	0	88.2	176.4	264.6	352.7	396.8	
33	308.6	317.5					266.8	273.4					33
39	291	317.5					266.8	273.4					39
45	238.1	310.9	332.9				233.7	273.4					45
51	198.4	282.2	332.9				196.2	266.8	288.8				51
57	165.3	244.7	313.1	330.7			165.3	240.3	288.8				57
63	143.3	211.6	282.2	317.5			143.3	211.6	273.4	288.8			63
69	125.7	187.4	249.1	302	321.9		123.5	185.2	246.9	277.8			69
75	110.2	165.3	220.5	277.8	310.9		108	165.3	220.5	264.6	288.8		75
81	99.2	149.9	200.6	251.3	293.2	299.8	97	147.7	198.4	249.1	280		81
87	88.2	134.5	180.8	229.3	271.2	286.6	86	134.5	180.8	227.1	269	273.4	87
93	79.4	123.5	165.3	209.4	251.3	266.8	79.4	121.3	165.3	209.4	251.3	264.6	93
99	72.8	112.4	152.1	191.8	231.5	249.1	70.5	110.2	152.1	191.8	231.5	246.9	99
111	59.5	94.8	130.1	165.3	200.6	216.1	59.5	94.8	130.1	165.3	200.6	216.1	111
123	50.7	81.6	114.6	145.5	176.4	191.8	48.5	81.6	112.4	143.3	176.4	189.6	123
135	41.9	72.8	99.2	127.9	156.5	169.8	41.9	70.5	99.2	127.9	156.5	169.8	135
147	35.3	63.9	88.2	114.6	141.1	152.1	35.3	61.7	88.2	112.4	138.9	152.1	147
159	30.9	55.1	79.4	103.6	127.9	138.9	28.7	55.1	77.2	101.4	125.7	136.7	159
171	26.5	50.7	72.8	94.8	116.8	125.7	24.3	48.5	70.5	92.6	114.6	125.7	171
183	22	44.1	63.9	86	105.8	114.6	19.8	41.9	63.9	83.8	103.6	114.6	183
195							17.6	37.5	57.3	77.2	97	105.8	195

with 66,100 lbs central ballast

All information given are for reference only.

07-2011

All Terrain Cranes

Hydraulic Truck Cranes

Boom Trucks

Carry Decks

Rough Terrain Cranes

Crawler Cranes

Tower Cranes

General Information

Crawler Cranes

Demag CC 1800



330 t



75

255.9-275.6 ft

98.4 ft

264,500 lbs

0-396,800 lbs

23'8"

360°

75%

SSL/LSL

42.7 ft

ft	255.9						275.6					ft
	0	88.2	176.4	264.6	352.7	396.8	0	88.2	176.4	264.6	352.7	
33	235.9											33
39	235.9						196.2	200.6				39
45	231.5	235.9					196.2	200.6				45
51	200.6	235.9					191.8	200.6				51
57	169.8	235.9	244.7				167.6	200.6				57
63	147.7	216.1	244.7				145.5	200.6	207.2			63
69	127.9	189.6	240.3				127.9	187.4	207.2			69
75	112.4	169.8	224.9	249.1			112.4	167.6	207.2			75
81	101.4	152.1	202.8	244.7			101.4	152.1	200.6	211.6		81
87	90.4	138.9	185.2	231.5	257.9		90.4	136.7	183	209.4		87
93	83.8	125.7	169.8	213.8	253.5	255.7	81.6	125.7	167.6	205		93
99	75	114.6	156.5	196.2	235.9	251.3	75	114.6	154.3	194		99
111	63.9	99.2	134.5	169.8	205	222.7	61.7	97	132.3	167.6		111
123	52.9	86	116.8	147.7	180.8	196.2	52.9	83.8	116.8	147.7	167.6	123
135	46.3	75	103.6	132.3	160.9	174.2	44.1	72.8	101.4	130.1	152.1	135
147	39.7	66.1	92.6	119	143.3	156.5	37.5	63.9	90.4	116.8	138.9	147
159	35.3	59.5	81.6	105.8	130.1	141.1	33.1	57.3	81.6	105.8	125.7	159
171	28.7	52.9	75	97	119	130.1	28.7	50.7	72.8	94.8	114.6	171
183	26.5	46.3	68.3	88.2	108	119	24.3	46.3	66.1	86	103.6	183
195	22	41.9	61.7	81.6	99.2	110.2	19.8	41.9	59.5	79.4	94.8	195
207	19.8	37.5	57.3	75	92.6	101.4	17.6	37.5	55.1	72.8	88.2	207
219	17.6	35.3	52.9	68.3	86	94.8	15.4	33.1	50.7	68.3	79.4	219
231							13.2	30.9	46.3	61.7	70.5	231
243							11	26.5	44.1	57.3	63.9	243

with 66,100 lbs central ballast


295.3-315 ft

98.4 ft

264,500 lbs

0-396,800 lbs

23'8"

360°
75
75%
SSL/LSL
42.7 ft

ft	295.3					315						ft
	0	88.2	176.4	264.6	352.7	0	88.2	176.4	264.6	352.7	396.8	
39	169.8					145.5						39
45	167.6					145.5						45
51	167.6	172				145.5	147.7					51
57	160.9	172				145.5	147.7					57
63	145.5	172				138.9	145.5					63
69	127.9	172	174.2			125.7	145.5					69
75	112.4	165.3	174.2			110.2	143.3	145.5				75
81	99.2	149.9	174.2			99.2	141.1	143.3				81
87	90.4	136.7	172			88.2	136.7	141.1				87
93	81.6	125.7	167.6	176.4		79.4	123.5	141.1				93
99	72.8	114.6	154.3	174.2		72.8	112.4	136.7				99
111	61.7	97	132.3	167.6		59.5	97	130.1				111
123	52.9	83.8	114.6	147.7		50.7	81.6	114.6	130.1			123
135	44.1	72.8	101.4	130.1	147.7	44.1	72.8	101.4	125.7			135
147	37.5	63.9	90.4	116.8	136.7	37.5	63.9	88.2	114.6			147
159	33.1	57.3	81.6	103.6	123.5	30.9	55.1	79.4	103.6	116.8		159
171	28.7	50.7	72.8	94.8	110.2	26.5	48.5	70.5	92.6	112.4	112.4	171
183	24.3	44.1	66.1	86	99.2	22	44.1	63.9	86	105.8	105.8	183
195	19.8	39.7	59.5	79.4	86	17.6	39.7	59.5	77.2	97	101.4	195
207	17.6	35.3	55.1	72.8	77.2	15.4	35.3	52.9	70.5	88.2	94.8	207
219	15.4	33.1	50.7	66.1	66.1	13.2	30.9	48.5	66.1	81.6	88.2	219
231	11	28.7	46.3	59.5	59.5	11	26.5	44.1	59.5	77.2	83.8	231
243	11	26.5	41.9	52.9	52.9	8.8	24.3	39.7	55.1	70.5	77.2	243
255	8.8	24.3	39.7	50.7	50.7	6.6	22	37.5	52.9	66.1	70.5	255
267							19.8	33.1	48.5	61.7	63.9	267

with 66,100 lbs central ballast

All information given are for reference only.

Crawler Cranes

Demag CC 1800



330 t



334.5-354.4 ft



98.4 ft



264,500 lbs



0-396,800 lbs



23'8"



360°

75

75%

SSL/LSL

42.7 ft

ft	334.5						354.4					ft
	0	88.2	176.4	264.6	352.7	396.8	0	88.2	176.4	264.6	352.7	
39	125.7											39
45	125.7						94.8					45
51	125.7						92.6					51
57	125.7	125.7					92.6					57
63	125.7	125.7					90.4	92.6				63
69	121.3	125.7					88.2	90.4				69
75	110.2	125.7					86	88.2				75
81	99.2	125.7					83.8	86				81
87	88.2	125.7	125.7				81.6	81.6				87
93	79.4	123.5	125.7				77.2	79.4				93
99	72.8	112.4	125.7				70.5	77.2				99
111	59.5	94.8	123.5				57.3	70.5				111
123	50.7	81.6	112.4	121.3			48.5	66.1	66.1			123
135	41.9	70.5	99.2	119			41.9	61.7	61.7			135
147	35.3	61.7	88.2	112.4			33.1	57.3	57.3			147
159	30.9	55.1	79.4	103.6	110.2		28.7	52.9	52.9			159
171	26.5	48.5	70.5	92.6	105.8		24.3	46.3	50.7			171
183	22	44.1	63.9	83.8	101.4	101.4	19.8	41.9	48.5			183
195	17.6	37.5	57.3	77.2	94.8	94.8	15.4	37.5	46.3	46.3		195
207	15.4	33.1	52.9	70.5	88.2	90.4	13.2	33.1	44.1	44.1		207
219	11	30.9	48.5	63.9	81.6	83.8	11	28.7	41.9	41.9		219
231	8.8	26.5	44.1	59.5	75	77.2	8.8	24.3	39.7	41.9		231
243		24.3	39.7	55.1	70.5	72.8		22	37.5	39.7		243
255		22	35.3	50.7	66.1	66.1		19.8	35.3	39.7		255
267		17.6	33.1	48.5	61.7	61.7		17.6	30.9	37.5		267
279		15.4	30.9	44.1	57.3	57.3		15.4	28.7	35.3	37.5	279
291		15.4	28.7	41.9	52.9	52.9		13.2	26.5	35.3	35.3	291
303								11	24.3	33.1	35.3	303

with 66,100 lbs central ballast


98.4-236.2 ft

98.4 ft

264,500 lbs

440,900 lbs

23'8"

360°
75
75%
SSL
42.7 ft

ft	98.4	118.1	137.8	157.5	177.2	196.9	216.5	236.2	ft
21	661.4								21
23	661.4	634.9							23
26	661.4	634.9	615.1	533.5					26
30	659.2	634.9	615.1	533.5	480.6	443.1			30
33	639.3	632.7	615.1	533.5	478.4	443.1	348.3	310.9	33
39	606.3	617.3	615.1	533.5	469.6	443.1	348.3	310.9	39
45	571	579.8	577.6	533.5	451.9	443.1	348.3	310.9	45
51	518.1	518.1	515.9	504.9	432.1	425.5	348.3	310.9	51
57	463	460.8	458.6	456.4	412.3	405.7	343.9	310.9	57
63	418.9	416.7	414.5	412.3	394.6	388	332.9	304.2	63
69	383.6	379.2	377	374.8	370.4	366	321.9	297.6	69
75	348.3	346.1	343.9	341.7	339.5	339.5	310.9	288.8	75
81	319.7	319.7	317.5	315.3	313.1	313.1	299.8	280	81
87	284.4	295.4	293.2	293.2	291	288.8	286.6	273.4	87
93	255.7	273.4	271.2	271.2	271.2	269	266.8	264.6	93
99			251.3	251.3	249.1	249.1	249.1	246.9	99
111			220.5	218.3	218.3	218.3	216.1	216.1	111
123			194	194	191.8	191.8	191.8	189.6	123
135				174.2	172	172	169.8	169.8	135
147					154.3	154.3	152.1	152.1	147
159						138.9	138.9	136.7	159
171						127.9	125.7	125.7	171
183							114.6	114.6	183
195								105.8	195

with 66,100 lbs central ballast

All information given are for reference only.

Crawler Cranes

Demag CC 1800



330 t



75

255.9-354.4 ft

98.4 ft

264,500 lbs

440,900 lbs

23'8"

360°

75%

SSL/LSL

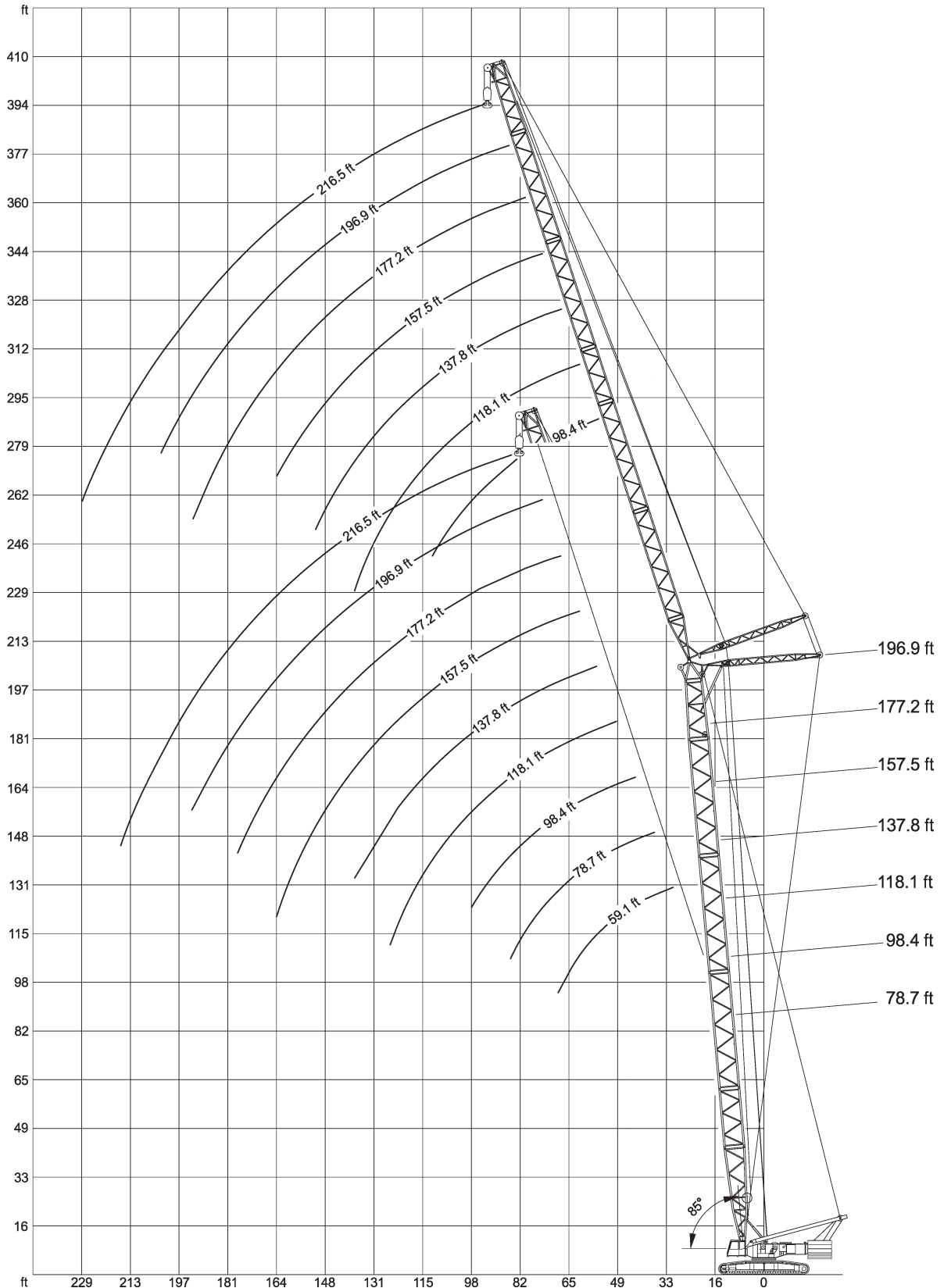
42.7 ft

ft	255.9	275.6*	295.3*	315.0	334.5	354.4*	ft
33	260.1						33
39	260.1	220.5	189.6	154.3	136.7		39
45	260.1	220.5	189.6	154.3	136.7	103.6	45
51	260.1	220.5	187.4	152.1	136.7	103.6	51
57	260.1	220.5	185.2	152.1	136.7	101.4	57
63	260.1	220.5	185.2	149.9	136.7	97	63
69	260.1	218.3	185.2	149.9	134.5	94.8	69
75	260.1	218.3	183	147.7	134.5	92.6	75
81	257.9	216.1	183	145.5	132.3	88.2	81
87	257.9	213.8	180.8	143.3	132.3	86	87
93	255.7	207.2	178.6	143.3	130.1	81.6	93
99	251.3	200.6	176.4	141.1	130.1	77.2	99
111	222.7	185.2	167.6	136.7	127.9	70.5	111
123	196.2	167.6	158.7	132.3	123.5	66.1	123
135	174.2	152.1	147.7	127.9	121.3	61.7	135
147	156.5	138.9	136.7	123.5	116.8	57.3	147
159	141.1	125.7	123.5	116.8	110.2	52.9	159
171	130.1	114.6	110.2	112.4	105.8	50.7	171
183	119	103.6	99.2	105.8	101.4	48.5	183
195	110.2	94.8	86	101.4	94.8	46.3	195
207	101.4	88.2	77.2	94.8	90.4	44.1	207
219	94.8	79.4	66.1	88.2	83.8	41.9	219
231		70.5	59.5	83.8	77.2	41.9	231
243		63.9	52.9	77.2	72.8	39.7	243
255			50.7	70.5	66.1	39.7	255
267				63.9	61.7	37.5	267
279					57.3	37.5	279
291					52.9	35.3	291
303						35.3	303

with 66,100 lbs central ballast

* 396,800 lbs counterweight carrier

All information given are for reference only.



07-2011

Crawler Cranes

Demag CC 1800



330 t



78.7-98.4 ft



59.1-216.5 ft



264,500 lbs



23'8"



360°

75

75%

SW 85°

ft	78.7									ft
	59.1	78.7	98.4	118.1	137.8	157.5	177.2	196.9	216.5	
39	293.2									39
45	244.7									45
51	205	205								51
57	176.4	174.2	172							57
63	154.3	152.1	152.1	149.9						63
69	136.7	136.7	134.5	134.5	132.3					69
75		121.3	119	119	116.8	116.8				75
81		110.2	108	108	105.8	105.8	103.6			81
87			99.2	97	97	97	94.8	92.6		87
93			90.4	90.4	88.2	88.2	86	86	77.2	93
99				81.6	81.6	81.6	79.4	79.4	72.8	99
111				70.5	70.5	68.3	68.3	68.3	63.9	111
123				61.7	61.7	59.5	59.5	59.5	55.1	123
135					52.9	52.9	50.7	50.7	48.5	135
147						46.3	46.3	46.3	44.1	147
159						41.9	39.7	39.7	37.5	159
171							35.3	35.3	33.1	171
183								33.1	28.7	183
195									26.5	195
207									22	207

with 66,100 lbs central ballast

ft	98.4									ft
	59.1	78.7	98.4	118.1	137.8	157.5	177.2	196.9	216.5	
51	205									51
57	174.2	174.2								57
63	152.1	152.1	149.9							63
69	136.7	134.5	132.3	132.3						69
75		121.3	119	119	116.8					75
81		110.2	108	105.8	105.8	103.6				81
87		99.2	97	97	94.8	94.8	94.8			87
93			90.4	88.2	88.2	86	86	83.8		93
99			81.6	81.6	79.4	79.4	79.4	77.2	70.5	99
111			70.5	70.5	68.3	68.3	66.1	66.1	61.7	111
123				61.7	59.5	59.5	57.3	57.3	55.1	123
135					52.9	52.9	50.7	50.7	48.5	135
147						46.3	44.1	44.1	41.9	147
159						41.9	39.7	39.7	37.5	159
171							35.3	35.3	33.1	171
183								30.9	28.7	183
195								28.7	26.5	195
207									22	207

with 66,100 lbs central ballast


118.1-137.8 ft

59.1-216.5 ft

264,500 lbs

23'8"

360°
75
75%
SW 85°

ft	59.1	78.7	98.4	118.1	118.1 137.8	157.5	177.2	196.9	216.5	ft
51	202.8									51
57	172	172								57
63	152.1	149.9	149.9							63
69	134.5	134.5	132.3	132.3						69
75		119	116.8	116.8	114.6					75
81		108	105.8	105.8	103.6	103.6				81
87		99.2	97	97	94.8	94.8	92.6			87
93			88.2	88.2	86	86	83.8	83.8		93
99			81.6	81.6	79.4	79.4	77.2	77.2	68.3	99
111			70.5	70.5	68.3	68.3	66.1	66.1	61.7	111
123				61.7	59.5	59.5	57.3	57.3	55.1	123
135					52.9	50.7	50.7	50.7	48.5	135
147					46.3	46.3	44.1	44.1	41.9	147
159						39.7	39.7	39.7	37.5	159
171							35.3	35.3	33.1	171
183								30.9	28.7	183
195								28.7	26.5	195
207									22	207

with 66,100 lbs central ballast

ft	78.7	98.4	118.1	137.8	137.8 157.5	177.2	196.9	216.5	ft
57	169.8								57
63	149.9	147.7							63
69	132.3	130.1	130.1						69
75	119	116.8	114.6	114.6					75
81	108	105.8	103.6	103.6	101.4				81
87	97	94.8	94.8	92.6	92.6	92.6			87
93		88.2	88.2	86	86	83.8	77.2		93
99		81.6	79.4	79.4	77.2	77.2	72.8	66.1	99
111		70.5	68.3	68.3	66.1	66.1	66.1	59.5	111
123			59.5	59.5	57.3	57.3	57.3	52.9	123
135				50.7	50.7	48.5	48.5	48.5	135
147				46.3	44.1	44.1	44.1	41.9	147
159					39.7	39.7	37.5	37.5	159
171						35.3	35.3	33.1	171
183						30.9	30.9	28.7	183
195							28.7	26.5	195
207								22	207

with 66,100 lbs central ballast

All information given are for reference only.

07-2011

Crawler Cranes

Demag CC 1800



330 t



157.5-177.2 ft



78.7-216.5 ft



264,500 lbs



23'8"



360°

75

75%

SW 85°

ft	157.5								ft
	78.7	98.4	118.1	137.8	157.5	177.2	196.9	216.5	
57	167.6								57
63	147.7	145.5							63
69	130.1	130.1	125.7						69
75	116.8	114.6	114.6	112.4					75
81	105.8	103.6	103.6	101.4	99.2				81
87	97	94.8	94.8	92.6	92.6	88.2			87
93		86	86	83.8	83.8	83.8	72.8		93
99		79.4	79.4	77.2	77.2	75	70.5	61.7	99
111		68.3	68.3	66.1	66.1	63.9	63.9	57.3	111
123			59.5	57.3	57.3	55.1	55.1	52.9	123
135				50.7	50.7	48.5	48.5	46.3	135
147				44.1	44.1	41.9	41.9	41.9	147
159					39.7	37.5	37.5	35.3	159
171						33.1	33.1	33.1	171
183						30.9	30.9	28.7	183
195							26.5	26.5	195
207								22	207
219								19.8	219

with 66,100 lbs central ballast

ft	177.2						ft	
	98.4	118.1	137.8	157.5	177.2	196.9		216.5
69	123.5							69
75	114.6	108						75
81	103.6	101.4	94.8					81
87	92.6	92.6	90.4	83.8				87
93	86	83.8	83.8	81.6	72.8			93
99	79.4	77.2	77.2	75	70.5	59.5		99
111	68.3	66.1	66.1	63.9	63.9	55.1		111
123		57.3	57.3	55.1	55.1	52.9	46.3	123
135			50.7	48.5	48.5	48.5	44.1	135
147			44.1	44.1	41.9	41.9	39.7	147
159				39.7	37.5	37.5	35.3	159
171					33.1	33.1	30.9	171
183					30.9	28.7	28.7	183
195						26.5	24.3	195
207							22	207
219							19.8	219

with 66,100 lbs central ballast


196.9 ft

98.4-216.5 ft

264,500 lbs

23'8"

360°
75
75%
SW 85°

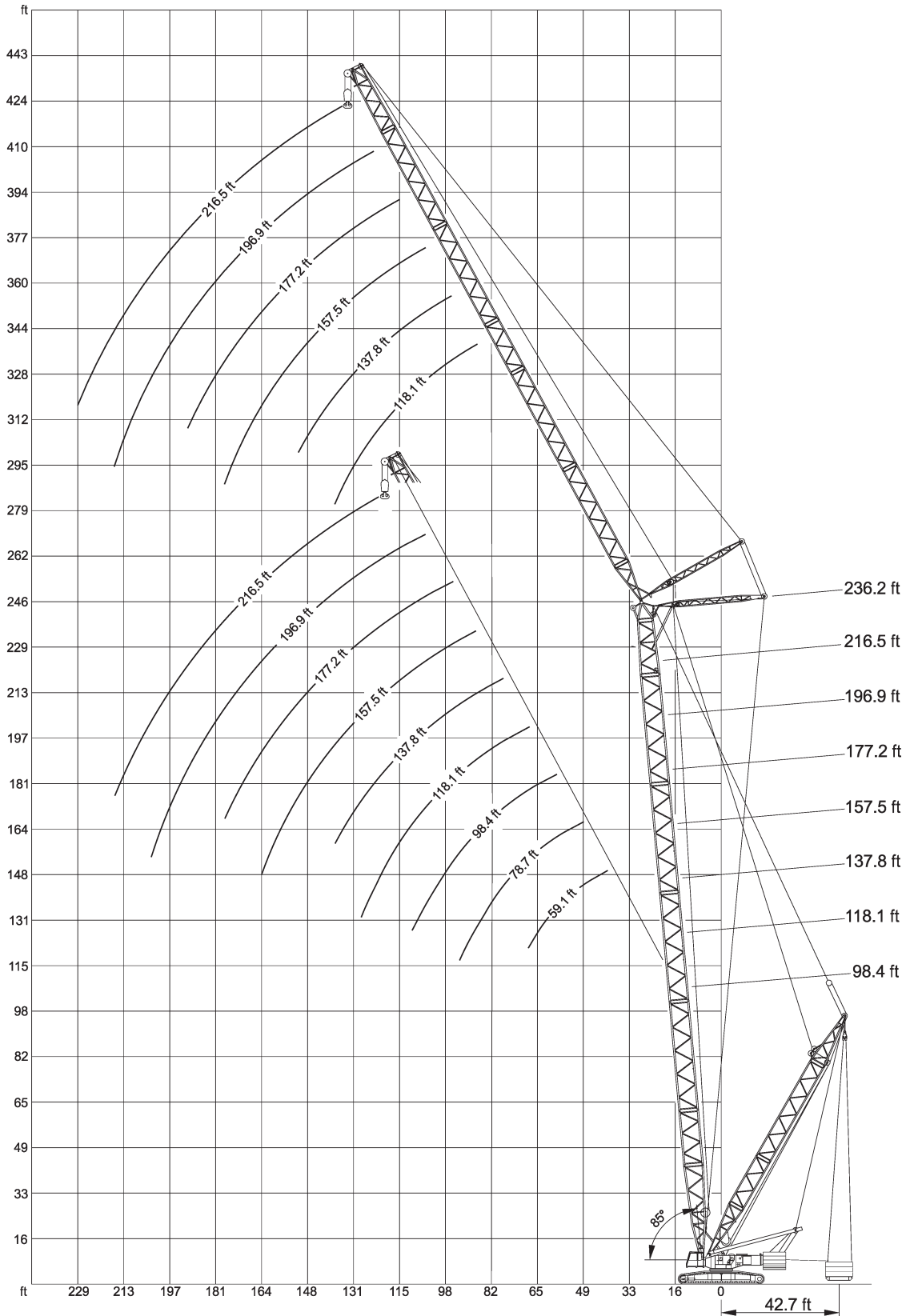
ft	98.4	118.1	137.8	196.9 157.5	177.2	196.9	216.5	ft
69	110.2							69
75	105.8	94.8						75
81	101.4	92.6	81.6					81
87	92.6	88.2	79.4	72.8				87
93	83.8	83.8	79.4	70.5	61.7			93
99	77.2	77.2	75	68.3	59.5	50.7		99
111	66.1	66.1	63.9	63.9	57.3	48.5		111
123		57.3	55.1	55.1	52.9	46.3	41.9	123
135		50.7	48.5	48.5	46.3	44.1	39.7	135
147			44.1	41.9	37.5	39.7	37.5	147
159				37.5	33.1	37.5	33.1	159
171					28.7	33.1	30.9	171
183						28.7	26.5	183
195						26.5	24.3	195
207							22	207
219							19.8	219

with 66,100 lbs central ballast

All information given are for reference only.

Crawler Cranes
Demag CC 1800

330 t




98.4 ft

98.4 ft

59.1- 157.5 ft

198,400 lbs

0-220,500 lbs

23'8"

360°
75
SWSL 85°
42.7 ft

ft	0	88.2	59.1 132.3	176.4	220.5	0	88.2	78.7 132.3	176.4	220.5	ft
39	235.9	330.7	330.7								39
45	194	297.6	330.7								45
51	163.1	253.5	297.6	328.5							51
57	138.9	218.3	255.7	295.4	308.6	138.9	216.1	255.7	295.4	317.5	57
63	121.3	191.8	224.9	260.1	273.4	121.3	189.6	224.9	260.1	286.6	63
69	108	169.8	200.6	231.5	238.1	108	169.8	200.6	231.5	251.3	69
75						94.8	152.1	178.6	207.2	222.7	75
81						86	136.7	163.1	187.4	198.4	81
87						79.4	125.7	149.9	172	178.6	87

ft	0	88.2	98.4 132.3	176.4	220.5	0	88.2	118.1 132.3	176.4	220.5	ft
63	119	187.4	222.7	257.9	282.2						63
69	105.8	167.6	198.4	229.3	257.9	105.8	167.6	198.4	229.3	244.7	69
75	94.8	149.9	176.4	205	229.3	92.6	147.7	176.4	205	229.3	75
81	83.8	136.7	160.9	187.4	205	83.8	134.5	160.9	185.2	207.2	81
87	77.2	123.5	147.7	169.8	185.2	77.2	123.5	145.5	169.8	187.4	87
93	70.5	114.6	134.5	156.5	169.8	70.5	112.4	134.5	156.5	169.8	93
99	63.9	105.8	125.7	145.5	154.3	63.9	103.6	123.5	143.3	156.5	99
111	55.1	90.4	108	119	119	55.1	90.4	108	125.7	132.3	111
123						46.3	79.4	94.8	110.2	110.2	123

ft	0	88.2	137.8 132.3	176.4	220.5	0	88.2	157.5 132.3	176.4	220.5	ft
75	92.6	147.7	174.2	202.8	209.4						75
81	81.6	132.3	158.7	185.2	200.6	81.6	132.3	158.7	169.8		81
87	75	121.3	145.5	167.6	185.2	75	121.3	145.5	165.3	165.3	87
93	68.3	112.4	132.3	154.3	167.6	68.3	110.2	132.3	154.3	160.9	93
99	61.7	103.6	123.5	143.3	154.3	61.7	101.4	121.3	143.3	154.3	99
111	52.9	88.2	105.8	123.5	132.3	52.9	88.2	105.8	123.5	132.3	111
123	46.3	77.2	92.6	110.2	114.6	46.3	77.2	92.6	108	114.6	123
135	39.7	68.3	83.8	94.8	97	39.7	68.3	81.6	97	99.2	135
147						35.3	61.7	72.8	86	88.2	147
159						30.9	55.1	66.1	75	75	159

All information given are for reference only.

Crawler Cranes

Demag CC 1800



330 t



98.4 ft



98.4 ft



177.2-216.5 ft



198,400 lbs



0-220,500 lbs



23'8"



360°

75

75%

SWSL 85°

42.7 ft

ft	177.2					196.9		216.5		ft
	0	88.2	132.3	176.4	220.5	0	88.2	0	88.2	
87	72.8	119	138.9	138.9						87
93	66.1	110.2	132.3	134.5		66.1	90.4			93
99	59.5	101.4	121.3	130.1		59.5	86	59.5	72.8	99
111	50.7	86	103.6	121.3		50.7	75	48.5	63.9	111
123	44.1	75	90.4	108	110.2	44.1	68.3	41.9	57.3	123
135	37.5	66.1	81.6	94.8	99.2	37.5	59.5	37.5	50.7	135
147	33.1	59.5	72.8	86	88.2	33.1	52.9	30.9	44.1	147
159	28.7	52.9	66.1	77.2	77.2	28.7	46.3	26.5	39.7	159
171	26.5	48.5	59.5	68.3	68.3	26.5	41.9	24.3	33.1	171
183						22	37.5	19.8	30.9	183
195						19.8	33.1	17.6	26.5	195
207								15.4	22	207



118.1 ft



98.4 ft



59.1- 78.7 ft



198,400 lbs



0-220,500 lbs



23'8"



360°

75

75%

SWSL 85°

42.7 ft

ft	59.1					78.7					ft
	0	88.2	132.3	176.4	220.5	0	88.2	132.3	176.4	220.5	
51	163.1	253.5	295.4	328.5							51
57	138.9	216.1	255.7	295.4	317.5	136.7	216.1	253.5	284.4	288.8	57
63	121.3	189.6	224.9	257.9	286.6	119	189.6	222.7	257.9	280	63
69	108	169.8	200.6	231.5	249.1	105.8	167.6	198.4	229.3	257.9	69
75						94.8	149.9	178.6	205	229.3	75
81						86	136.7	160.9	187.4	205	81
87						77.2	125.7	147.7	172	185.2	87


118.1 ft

98.4 ft

98.4-216.5 ft

198,400 lbs

0-220,500 lbs

23'8"

360°
75
SWSL 85°
42.7 ft

ft	0	88.2	98.4 132.3	176.4	220.5	0	88.2	118.1 132.3	176.4	220.5	ft
63	119	187.4	222.7	246.9	249.1						63
69	103.6	165.3	196.2	227.1	240.3	103.6	165.3	196.2	213.8		69
75	92.6	147.7	176.4	205	229.3	92.6	147.7	176.4	202.8	209.4	75
81	83.8	134.5	160.9	185.2	211.6	83.8	134.5	158.7	185.2	202.8	81
87	77.2	123.5	145.5	169.8	191.8	75	121.3	145.5	169.8	191.8	87
93	70.5	112.4	134.5	156.5	176.4	68.3	112.4	134.5	156.5	176.4	93
99	63.9	103.6	123.5	143.3	156.5	63.9	103.6	123.5	143.3	163.1	99
111	55.1	90.4	108	121.3	123.5	52.9	90.4	108	125.7	136.7	111
123						46.3	79.4	94.8	110.2	112.4	123

ft	0	88.2	137.8 132.3	176.4	220.5	0	88.2	157.5 132.3	176.4	220.5	ft
75	90.4	145.5	174.2	183							75
81	81.6	132.3	158.7	178.6	178.6	81.6	132.3	152.1	152.1		81
87	72.8	121.3	143.3	167.6	176.4	72.8	119	143.3	149.9		87
93	68.3	110.2	132.3	154.3	172	66.1	110.2	132.3	145.5	145.5	93
99	61.7	101.4	121.3	141.1	163.1	61.7	101.4	121.3	141.1	143.3	99
111	52.9	88.2	105.8	123.5	138.9	50.7	88.2	105.8	123.5	134.5	111
123	44.1	77.2	92.6	108	116.8	44.1	77.2	92.6	108	121.3	123
135	39.7	68.3	81.6	97	99.2	39.7	68.3	81.6	97	103.6	135
147	35.3	61.7	75	79.4		33.1	59.5	72.8	86	88.2	147
159						30.9	52.9	66.1	75	75	159

ft	0	88.2	177.2 132.3	176.4	220.5	196.9		216.5		ft
						0	88.2	0	88.2	
87	72.8	119	125.7	125.7						87
93	66.1	108	123.5	123.5		66.1	86			93
99	59.5	99.2	119	119		59.5	81.6	57.3	68.3	99
111	50.7	86	103.6	112.4		50.7	72.8	48.5	61.7	111
123	44.1	75	90.4	103.6	103.6	44.1	63.9	41.9	55.1	123
135	37.5	66.1	81.6	94.8	97	37.5	57.3	35.3	48.5	135
147	33.1	59.5	72.8	83.8	90.4	33.1	50.7	30.9	41.9	147
159	28.7	52.9	63.9	77.2	79.4	28.7	46.3	26.5	37.5	159
171	26.5	48.5	59.5	68.3	68.3	24.3	39.7	24.3	33.1	171
183						22	35.3	19.8	28.7	183
195						19.8	33.1	17.6	26.5	195
207								15.4	22	207

All information given are for reference only.

07-2011

Crawler Cranes

Demag CC 1800



330 t



137.8 ft



98.4 ft



78.7-177.2 ft



198,400 lbs



0-220,500 lbs



23'8"



360°

75

75%

SWSL 85°

42.7 ft

ft	78.7					98.4					ft
	0	88.2	132.3	176.4	220.5	0	88.2	132.3	176.4	220.5	
57	136.7	213.8	249.1	266.8							57
63	119	187.4	222.7	251.3	260.1	116.8	185.2	216.1	224.9		63
69	105.8	167.6	198.4	229.3	249.1	103.6	165.3	196.2	218.3	220.5	69
75	92.6	149.9	176.4	205	233.7	92.6	147.7	174.2	202.8	216.1	75
81	83.8	134.5	160.9	185.2	211.6	83.8	134.5	158.7	185.2	207.2	81
87	77.2	123.5	147.7	169.8	189.6	75	121.3	145.5	169.8	191.8	87
93						68.3	112.4	134.5	156.5	176.4	93
99						63.9	103.6	123.5	143.3	163.1	99
111						52.9	90.4	108	125.7	127.9	111

ft	118.1					137.8					ft
	0	88.2	132.3	176.4	220.5	0	88.2	132.3	176.4	220.5	
69	101.4	163.1	189.6	194							69
75	90.4	145.5	174.2	189.6		90.4	145.5	165.3	167.6		75
81	81.6	132.3	158.7	183	187.4	79.4	132.3	156.5	165.3		81
87	75	121.3	145.5	167.6	180.8	72.8	119	143.3	160.9	163.1	87
93	68.3	110.2	132.3	154.3	176.4	66.1	110.2	132.3	152.1	158.7	93
99	61.7	101.4	123.5	143.3	163.1	59.5	101.4	121.3	141.1	156.5	99
111	52.9	88.2	105.8	123.5	141.1	50.7	86	105.8	123.5	138.9	111
123	46.3	77.2	92.6	110.2	116.8	44.1	75	92.6	108	119	123
135						39.7	68.3	81.6	97	101.4	135
147						35.3	59.5	72.8	81.6	83.8	147

ft	157.5					177.2					ft
	0	88.2	132.3	176.4	220.5	0	88.2	132.3	176.4	220.5	
81	79.4	130.1	143.3	143.3							81
87	72.8	119	141.1	141.1		70.5	116.8	121.3			87
93	66.1	110.2	130.1	138.9		63.9	108	119	119		93
99	59.5	99.2	121.3	136.7	136.7	59.5	99.2	114.6	116.8		99
111	50.7	86	103.6	121.3	132.3	50.7	86	103.6	110.2		111
123	44.1	75	90.4	108	121.3	41.9	75	90.4	103.6	103.6	123
135	37.5	66.1	81.6	94.8	105.8	37.5	66.1	79.4	94.8	99.2	135
147	33.1	59.5	72.8	86	90.4	33.1	57.3	70.5	83.8	92.6	147
159	28.7	52.9	66.1	75	77.2	28.7	52.9	63.9	75	81.6	159
171						24.3	46.3	57.3	68.3	70.5	171
183						22	41.9	52.9	59.5	59.5	183


137.8ft

98.4 ft

196.9-216.5 ft

198,400 lbs

0-88,200 lbs

23'8"

360°
75
SWSL 85°
42.7 ft

ft	196.9			216.5			ft
	0		88.2	0		88.2	
93	63.9		86				93
99	59.5		81.6	55.1		68.3	99
111	48.5		72.8	46.3		61.7	111
123	41.9		66.1	39.7		55.1	123
135	37.5		59.5	35.3		48.5	135
147	30.9		52.9	30.9		44.1	147
159	28.7		46.3	26.5		37.5	159
171	24.3		41.9	22		33.1	171
183	22		37.5	19.8		30.9	183
195	19.8		33.1	17.6		26.5	195
207				15.4		22	207

All information given are for reference only.


157.5 ft

98.4 ft

78.7-98.4 ft

198,400 lbs

0-220,500 lbs

23'8"

360°
75
SWSL 85°
42.7 ft

ft	78.7					98.4					ft
	0	88.2	132.3	176.4	220.5	0	88.2	132.3	176.4	220.5	
57	134.5	211.6	238.1	238.1							57
63	116.8	187.4	220.5	231.5		114.6	183	198.4			63
69	103.6	165.3	196.2	222.7	227.1	101.4	163.1	189.6	196.2		69
75	92.6	147.7	176.4	202.8	218.3	90.4	145.5	174.2	187.4		75
81	83.8	134.5	158.7	185.2	207.2	81.6	132.3	158.7	178.6	178.6	81
87	75	123.5	145.5	169.8	194	75	121.3	143.3	167.6	174.2	87
93						68.3	110.2	132.3	154.3	169.8	93
99						61.7	101.4	121.3	143.3	163.1	99
111						52.9	88.2	105.8	123.5	134.5	111

Crawler Cranes

Demag CC 1800



330 t



157.5 ft



98.4 ft



118.1-216.5 ft



198,400 lbs



0-220,500 lbs



23'8"



360°

75

75%

SWSL 85°

42.7 ft

ft	118.1					137.8					ft
	0	88.2	132.3	176.4	220.5	0	88.2	132.3	176.4	220.5	
69	101.4	158.7	169.8								69
75	90.4	145.5	165.3	167.6		88.2	138.9	143.3			75
81	81.6	132.3	154.3	163.1		79.4	130.1	141.1	143.3		81
87	72.8	119	143.3	158.7	158.7	72.8	119	138.9	141.1		87
93	66.1	110.2	132.3	149.9	152.1	66.1	108	130.1	136.7		93
99	61.7	101.4	121.3	141.1	147.7	59.5	99.2	119	132.3	132.3	99
111	52.9	88.2	105.8	123.5	138.9	50.7	86	103.6	121.3	127.9	111
123	44.1	77.2	92.6	108	119	44.1	75	90.4	105.8	121.3	123
135						37.5	66.1	81.6	94.8	103.6	135
147						33.1	59.5	72.8	83.8	86	147

ft	157.5					177.2					ft
	0	88.2	132.3	176.4	220.5	0	88.2	132.3	176.4	220.5	
81	79.4	123.5	123.5								81
87	70.5	119	121.3			70.5	103.6	103.6			87
93	63.9	108	119	119		63.9	101.4	103.6			93
99	59.5	99.2	116.8	116.8		57.3	97	101.4	101.4		99
111	50.7	86	103.6	112.4		48.5	83.8	97	97		111
123	44.1	75	90.4	105.8	108	41.9	72.8	88.2	92.6		123
135	37.5	66.1	79.4	94.8	103.6	35.3	63.9	79.4	88.2		135
147	33.1	59.5	72.8	83.8	92.6	30.9	57.3	70.5	81.6	83.8	147
159	28.7	52.9	63.9	77.2	79.4	26.5	50.7	63.9	75	79.4	159
171						24.3	46.3	57.3	68.3	70.5	171
183						22	41.9	52.9	59.5	61.7	183

ft	196.9		216.5		ft
	0	88.2	0	88.2	
93	61.7	79.4			93
99	57.3	75	52.9	63.9	99
111	48.5	70.5	44.1	57.3	111
123	41.9	63.9	37.5	50.7	123
135	35.3	57.3	33.1	46.3	135
147	30.9	50.7	28.7	41.9	147
159	26.5	44.1	24.3	37.5	159
171	24.3	39.7	22	33.1	171
183	19.8	35.3	19.8	28.7	183
195	17.6	33.1	15.4	26.5	195
207			13.2	22	207


177.2 ft

98.4 ft

98.4-216.5 ft

198,400 lbs

0-220,500 lbs

23'8"

360°
75
75%
SWSL 85°
42.7 ft

ft	0	88.2	98.4 132.3	176.4	220.5	0	88.2	118.1 132.3	176.4	220.5	ft
69	101.4	160.9	165.3								69
75	88.2	145.5	163.1	163.1		88.2	138.9	141.1			75
81	79.4	132.3	156.5	158.7		79.4	130.1	138.9	138.9		81
87	72.8	119	143.3	154.3		72.8	119	136.7	136.7		87
93	66.1	110.2	132.3	149.9	152.1	66.1	110.2	130.1	134.5		93
99	61.7	101.4	121.3	141.1	147.7	59.5	101.4	121.3	130.1	130.1	99
111	52.9	88.2	105.8	123.5	134.5	50.7	86	103.6	121.3	125.7	111
123						44.1	75	92.6	108	119	123

ft	0	88.2	137.8 132.3	176.4	220.5	0	88.2	157.5 132.3	176.4	220.5	ft
81	77.2	123.5	123.5								81
87	70.5	116.8	121.3	121.3		70.5	108	108			87
93	63.9	108	121.3	121.3		63.9	105.8	105.8			93
99	59.5	99.2	116.8	119		57.3	99.2	105.8	105.8		99
111	50.7	86	103.6	114.6		48.5	83.8	101.4	101.4		111
123	41.9	75	90.4	105.8	108	41.9	75	90.4	97		123
135	37.5	66.1	79.4	94.8	101.4	37.5	66.1	79.4	92.6	92.6	135
147	33.1	59.5	72.8	83.8	86	33.1	57.3	70.5	83.8	88.2	147
159						28.7	52.9	63.9	75	79.4	159

ft	0	88.2	177.2 132.3	176.4	220.5	196.9		216.5		ft
						0	88.2	0	88.2	
93	61.7	92.6	92.6							93
99	55.1	92.6	92.6			55.1	75			99
111	46.3	83.8	88.2			46.3	70.5	41.9	57.3	111
123	39.7	72.8	86	86		39.7	63.9	37.5	52.9	123
135	35.3	63.9	77.2	83.8		35.3	57.3	30.9	46.3	135
147	30.9	57.3	70.5	81.6	81.6	30.9	50.7	26.5	41.9	147
159	26.5	50.7	61.7	75	77.2	26.5	46.3	24.3	37.5	159
171	24.3	46.3	57.3	68.3	70.5	22	39.7	19.8	33.1	171
183	19.8	41.9	50.7	59.5	61.7	19.8	35.3	17.6	30.9	183
195						17.6	33.1	15.4	26.5	195
207								13.2	24.3	207
219								11	22	219

All information given are for reference only.

07-2011

Crawler Cranes

Demag CC 1800



330 t



196.9 ft



98.4 ft



98.4-216.5 ft



198,400 lbs



0-176,400 lbs



23'8"



360°

75

75%

SWSL 85°

42.7 ft

ft	98.4				118.1				ft
	0	88.2	132.3	176.4	0	88.2	132.3	176.4	
69	99.2	143.3	143.3						69
75	88.2	138.9	138.9		86	121.3	121.3		75
81	79.4	130.1	136.7	136.7	79.4	119	119		81
87	72.8	119	134.5	134.5	70.5	114.6	116.8		87
93	66.1	108	130.1	130.1	63.9	108	114.6	114.6	93
99	59.5	99.2	121.3	127.9	59.5	99.2	112.4	112.4	99
111	50.7	86	103.6	121.3	50.7	86	103.6	105.8	111
123					44.1	75	90.4	101.4	123
135					37.5	66.1	81.6	94.8	135

ft	137.8				157.5				ft
	0	88.2	132.3	176.4	0	88.2	132.3	176.4	
81	75	103.6	103.6						81
87	68.3	103.6	103.6		66.1	88.2	88.2		87
93	63.9	101.4	101.4		61.7	88.2	88.2		93
99	57.3	97	99.2	99.2	55.1	88.2	88.2		99
111	48.5	83.8	94.8	94.8	48.5	83.8	86		111
123	41.9	72.8	88.2	92.6	41.9	72.8	81.6	81.6	123
135	37.5	63.9	79.4	88.2	35.3	63.9	77.2	79.4	135
147	30.9	57.3	70.5	83.8	30.9	57.3	70.5	77.2	147
159					26.5	50.7	63.9	72.8	159

ft	177.2				196.9		216.5		ft
	0	88.2	132.3	176.4	0	88.2	0	88.2	
93	57.3	75	75						93
99	52.9	75	75		50.7	63.9			99
111	44.1	75	75		44.1	61.7	39.7	50.7	111
123	39.7	70.5	72.8		37.5	57.3	35.3	48.5	123
135	33.1	63.9	70.5	70.5	33.1	52.9	28.7	44.1	135
147	28.7	55.1	68.3	68.3	28.7	48.5	24.3	41.9	147
159	26.5	50.7	61.7	66.1	24.3	44.1	22	37.5	159
171	22	44.1	57.3	63.9	22	37.5	19.8	33.1	171
183	19.8	41.9	50.7	59.5	19.8	33.1	17.6	28.7	183
195					17.6	30.9	15.4	26.5	195
207							13.2	22	207
219							11	19.8	219


216.5 ft

98.4 ft

118.1-216.5 ft

198,400 lbs

0-176,400 lbs

23'8"

360°
75
75%
SWSL 85°
42.7 ft

ft	118.1				137.8				ft
	0	88.2	132.3	176.4	0	88.2	132.3	176.4	
75	83.8	108							75
81	77.2	105.8	105.8		72.8	90.4			81
87	68.3	103.6	103.6		66.1	90.4	90.4		87
93	63.9	101.4	101.4		59.5	88.2	88.2		93
99	57.3	97	99.2		55.1	86	86		99
111	48.5	83.8	92.6		46.3	81.6	81.6		111
123	41.9	75	88.2	88.2	39.7	72.8	79.4	79.4	123
135	37.5	66.1	79.4	83.8	35.3	63.9	75	75	135
147					30.9	57.3	70.5	72.8	147

ft	157.5				177.2				ft
	0	88.2	132.3	176.4	0	88.2	132.3	176.4	
87	63.9	77.2							87
93	57.3	77.2	77.2		55.1	63.9			93
99	52.9	77.2	77.2		50.7	63.9			99
111	46.3	75	75		41.9	61.7			111
123	39.7	70.5	72.8		37.5	61.7	61.7		123
135	33.1	63.9	68.3	68.3	30.9	59.5	59.5		135
147	30.9	57.3	66.1	66.1	26.5	55.1	59.5	59.5	147
159	26.5	50.7	61.7	63.9	24.3	48.5	57.3	57.3	159
171	24.3	46.3	57.3	61.7	22	44.1	55.1	55.1	171
183					19.8	39.7	50.7	52.9	183

ft	196.9		216.5		ft
	0	88.2	0	88.2	
99	48.5	52.9			99
111	41.9	52.9	37.5	41.9	111
123	35.3	50.7	33.1	41.9	123
135	30.9	48.5	26.5	41.9	135
147	26.5	46.3	24.3	39.7	147
159	22	41.9	19.8	35.3	159
171	19.8	39.7	17.6	33.1	171
183	17.6	35.3	15.4	30.9	183
195	15.4	33.1	13.2	28.7	195
207			11	24.3	207
219			11	22	219

All information given are for reference only.

07-2011

All Terrain Cranes

Hydraulic Truck Cranes

Boom Trucks

Carry Decks

Rough Terrain Cranes

Crawler Cranes

Tower Cranes

General Information

Crawler Cranes

Demag CC 1800



330 t



236.2 ft



98.4 ft



118.1-216.5 ft



198,400 lbs



0-132,200 lbs



23'8"



360°

75

75%

SWSL 85°

42.7 ft

ft	0	118.1 88.2	132.3	0	137.8 88.2	132.3	0	157.5 88.2	132.3	ft
75	81.6	90.4								75
81	72.8	90.4		68.3	77.2					81
87	66.1	88.2	88.2	61.7	77.2		61.7	61.7		87
93	61.7	86	86	57.3	77.2	77.2	55.1	61.7		93
99	55.1	83.8	83.8	52.9	75	75	50.7	61.7		99
111	48.5	81.6	81.6	44.1	72.8	72.8	41.9	61.7		111
123	41.9	72.8	77.2	37.5	70.5	70.5	37.5	59.5	59.5	123
135	35.3	63.9	75	33.1	63.9	66.1	33.1	57.3	57.3	135
147				30.9	55.1	63.9	28.7	55.1	57.3	147
159							24.3	50.7	55.1	159
171							22	44.1	52.9	171

ft	0	177.2 88.2	132.3	0	196.9 88.2	0	216.5 88.2	ft
93	52.9	52.9						93
99	48.5	52.9						99
111	39.7	52.9						111
123	35.3	52.9	52.9	33.1	41.9	30.9	37.5	123
135	28.7	52.9	52.9	28.7	41.9	24.3	37.5	135
147	26.5	50.7	50.7	24.3	41.9	22	35.3	147
159	22	48.5	48.5	22	39.7	17.6	33.1	159
171	19.8	44.1	46.3	19.8	37.5	15.4	30.9	171
183	17.6	39.7	46.3	15.4	35.3	13.2	28.7	183
195				15.4	33.1	11	26.5	195
207				13.2	30.9	11	24.3	207
219						8.8	22	219


75
98.4-118.1 ft 98.4 ft 59.1-216.5 ft 198,400 lbs 264,600 lbs 23'8" 360° 75%
SWSL 85°
42.7 ft

ft	98.4									ft
	59.1	78.7	98.4	118.1	137.8	157.5	177.2	196.9*	216.5*	
39	330.7									39
45	330.7									45
51	330.7									51
57	308.6	317.5								57
63	273.4	286.6	282.2							63
69	238.1	251.3	257.9	244.7						69
75		222.7	229.3	229.3	209.4					75
81		198.4	205	207.2	200.6	169.8				81
87		178.6	185.2	187.4	185.2	165.3	138.9			87
93			169.8	169.8	167.6	160.9	134.5	90.4		93
99			154.3	156.5	154.3	154.3	130.1	86	72.8	99
111			119	132.3	132.3	132.3	121.3	75	63.9	111
123				110.2	114.6	114.6	110.2	68.3	57.3	123
135					97	99.2	99.2	59.5	50.7	135
147						88.2	88.2	52.9	44.1	147
159						75	77.2	46.3	39.7	159
171							68.3	41.9	33.1	171
183								37.5	30.9	183
195								33.1	26.5	195
207									22	207

* 132,300 lbs counterweight carrier

ft	118.1									ft
	59.1	78.7	98.4	118.1	137.8	157.5	177.2	196.9*	216.5*	
51	330.7									51
57	317.5	288.8								57
63	286.6	280	249.1							63
69	249.1	257.9	240.3	213.8						69
75		229.3	229.3	209.4	183					75
81		205	211.6	202.8	178.6	152.1				81
87		185.2	191.8	191.8	176.4	149.9	125.7			87
93			176.4	176.4	172	145.5	123.5	86		93
99			156.5	163.1	163.1	143.3	119	81.6	68.3	99
111			123.5	136.7	138.9	134.5	112.4	72.8	61.7	111
123				112.4	116.8	121.3	103.6	63.9	55.1	123
135					99.2	103.6	97	57.3	48.5	135
147					79.4	88.2	90.4	50.7	41.9	147
159						75	79.4	46.3	37.5	159
171							68.3	39.7	33.1	171
183								35.3	28.7	183
195								33.1	26.5	195
207									22	207

* 132,300 lbs counterweight carrier

All information given are for reference only.

07-2011

All Terrain Cranes

Hydraulic Truck Cranes

Boom Trucks

Carry Decks

Rough Terrain Cranes

Crawler Cranes

Tower Cranes

General Information

Crawler Cranes

Demag CC 1800



330 t



75

137.8-157.5 ft

98.4 ft

78.7-216.5 ft

198,400 lbs

264,600 lbs

23'8"

360°

75%

SWSL 85°

42.7 ft

ft	137.8								ft
	78.7	98.4	118.1	137.8	157.5	177.2	196.9*	216.5*	
57	266.8								57
63	260.1	224.9							63
69	249.1	220.5	194						69
75	233.7	216.1	189.6	167.6					75
81	211.6	207.2	187.4	165.3	143.3				81
87	189.6	191.8	180.8	163.1	141.1	121.3			87
93		176.4	176.4	158.7	138.9	119	86		93
99		163.1	163.1	156.5	136.7	116.8	81.6	68.3	99
111		127.9	141.1	138.9	132.3	110.2	72.8	61.7	111
123			116.8	119	121.3	103.6	66.1	55.1	123
135				101.4	105.8	99.2	59.5	48.5	135
147				83.8	90.4	92.6	52.9	44.1	147
159					77.2	81.6	46.3	37.5	159
171						70.5	41.9	33.1	171
183						59.5	37.5	30.9	183
195							33.1	26.5	195
207								22	207

* 132,300 lbs counterweight carrier

ft	157.5								ft
	78.7	98.4	118.1	137.8	157.5	177.2	196.9*	216.5*	
57	238.1								57
63	231.5	198.4							63
69	227.1	196.2	169.8						69
75	218.3	187.4	167.6	143.3					75
81	207.2	178.6	163.1	143.3	123.5				81
87	194	174.2	158.7	141.1	121.3	103.6			87
93		169.8	152.1	136.7	119	103.6	79.4		93
99		163.1	147.7	132.3	116.8	101.4	75	63.9	99
111		134.5	138.9	127.9	112.4	97	70.5	57.3	111
123			119	121.3	108	92.6	63.9	50.7	123
135				103.6	103.6	88.2	57.3	46.3	135
147				86	92.6	83.8	50.7	41.9	147
159					79.4	79.4	44.1	37.5	159
171						70.5	39.7	33.1	171
183						61.7	35.3	28.7	183
195							33.1	26.5	195
207								22	207

* 132,300 lbs counterweight carrier


75
177.2-196.9 ft
98.4 ft
98.4-216.5 ft
198,400 lbs
264,600 lbs
23'8"
360°
75%
SWSL 85°
42.7 ft

ft	98.4	118.1	137.8	177.2 157.5	177.2	196.9*	216.5*	ft
69	165.3							69
75	163.1	141.1						75
81	158.7	138.9	123.5					81
87	154.3	136.7	121.3	108				87
93	152.1	134.5	121.3	105.8	92.6			93
99	147.7	130.1	119	105.8	92.6	75		99
111	134.5	125.7	114.6	101.4	88.2	70.5	57.3	111
123		119	108	97	86	63.9	52.9	123
135			101.4	92.6	83.8	57.3	46.3	135
147			86	88.2	81.6	50.7	41.9	147
159				79.4	77.2	46.3	37.5	159
171					70.5	39.7	33.1	171
183					61.7	35.3	30.9	183
195						33.1	26.5	195
207							24.3	207
219							22	219

* 132,300 lbs counterweight carrier

ft	98.4*	118.1	137.8	196.9 157.5*	177.2*	196.9	216.5**	ft
69	143.3							69
75	138.9	121.3						75
81	136.7	119	103.6					81
87	134.5	116.8	103.6	88.2				87
93	130.1	114.6	101.4	88.2	75			93
99	127.9	112.4	99.2	88.2	75	63.9		99
111	121.3	105.8	94.8	86	75	61.7	50.7	111
123		101.4	92.6	81.6	72.8	57.3	48.5	123
135		97	88.2	79.4	70.5	52.9	44.1	135
147			83.8	77.2	68.3	48.5	41.9	147
159				72.8	66.1	44.1	37.5	159
171					63.9	37.5	33.1	171
183					59.5	33.1	28.7	183
195						30.9	26.5	195
207							22	207
219							19.8	219

* 220,500 lbs counterweight carrier

** 132,300 lbs counterweight carrier

All information given are for reference only.

07-2011

Crawler Cranes

Demag CC 1800



330 t



75

216.5-236.2 ft

98.4 ft

118.1-216.5 ft

198,400 lbs

264,600 lbs

23'8"

360°

75%

SWSL 85°

42.7 ft

ft	216.5					196.9*	216.5*	ft
	118.1	137.8	157.5	177.2	216.5			
75	108							75
81	105.8	90.4						81
87	103.6	90.4	77.2					87
93	101.4	88.2	77.2	63.9				93
99	99.2	86	77.2	63.9	52.9			99
111	92.6	81.6	75	61.7	52.9	41.9		111
123	88.2	79.4	72.8	61.7	50.7	41.9		123
135	83.8	75	68.3	59.5	48.5	41.9		135
147		72.8	66.1	59.5	46.3	39.7		147
159			63.9	57.3	41.9	35.3		159
171			61.7	55.1	39.7	33.1		171
183				52.9	35.3	30.9		183
195					33.1	28.7		195
207						24.3		207
219						22		219

* 132,300 lbs counterweight carrier

ft	236.2					196.9*	216.5*	ft
	118.1	137.8	157.5	177.2	236.2			
75	90.4							75
81	90.4	77.2						81
87	88.2	77.2	61.7					87
93	86	77.2	61.7	52.9				93
99	83.8	75	61.7	52.9				99
111	81.6	72.8	61.7	52.9				111
123	77.2	70.5	59.5	52.9	41.9	37.5		123
135	75	66.1	57.3	52.9	41.9	37.5		135
147		63.9	57.3	50.7	41.9	35.3		147
159			55.1	48.5	39.7	33.1		159
171			52.9	46.3	37.5	30.9		171
183				46.3	35.3	28.7		183
195					33.1	26.5		195
207					30.9	24.3		207
219						22		219

* 132,300 lbs counterweight carrier