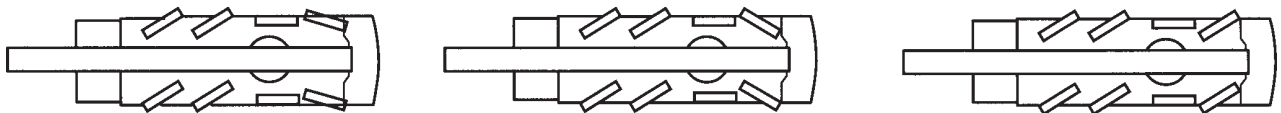


() with independent rear axle steering, 3rd axle raised



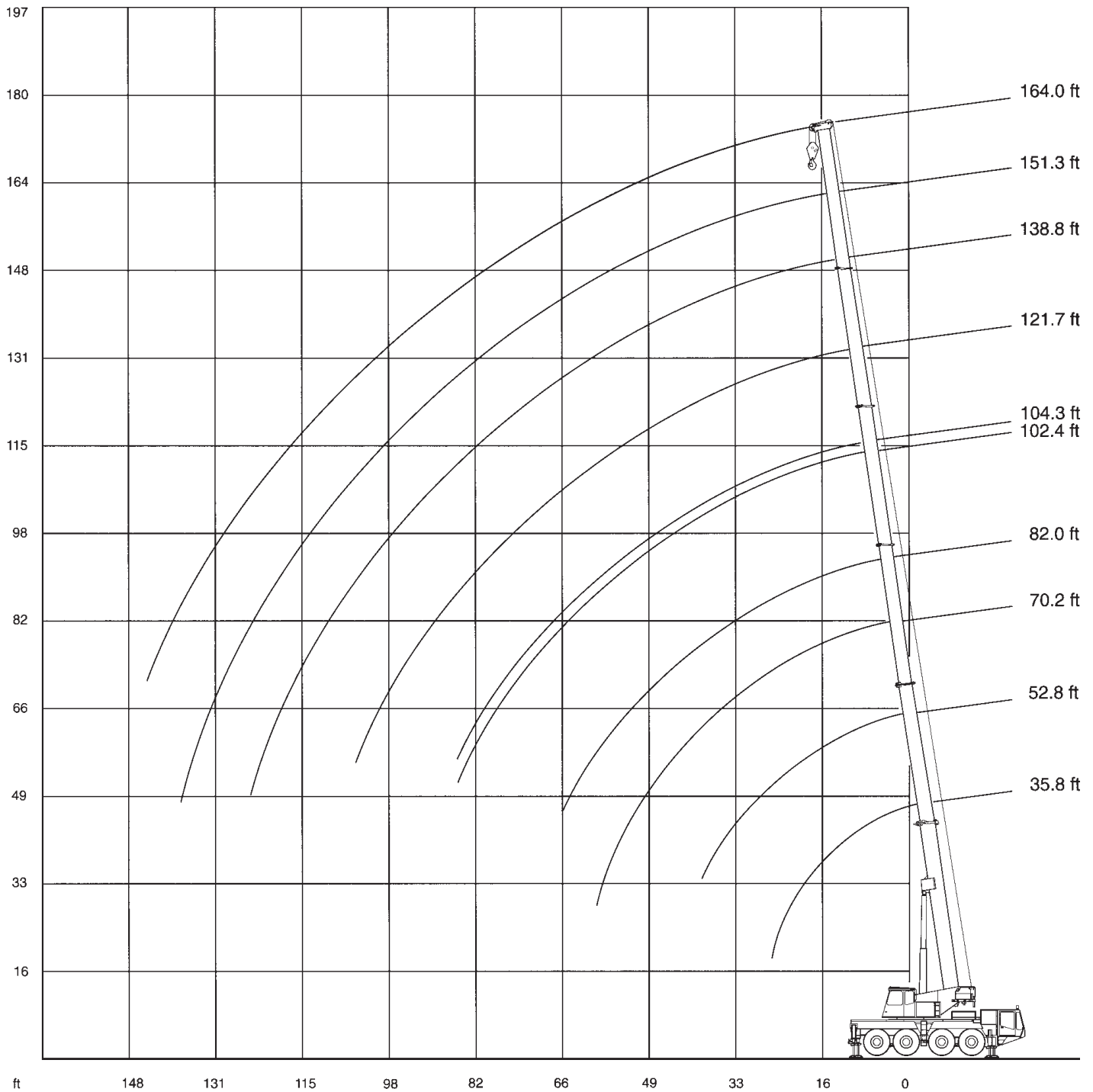
Crane based out of Bensalem branch.
Available in other regions upon special request

All information given are for reference only.

07-2011

100 t

All Terrain Cranes
Demag AC 205




35.8-164 ft

39,700 lbs

25'3"x23'

360°
85
85%

ft	35.8	52.8	70.2	82	102.4	104.3	121.7	138.8	151.3	164	ft
10	200*										10
10	168.5										10
11	160.7	121.2									11
13	145.5	121.2	97.3								13
15	132.4	120.4	91.2	72.7							15
16	126.6	116.9	87.5	72.7	41.2	36.5					16
19	106.9	104.3	78.8	70.6	41.2	35.1	36.5				19
23	85.1	84.5	69.3	63.2	41.2	32.3	35.6	26.6			23
26	70	73.2	63.5	57.5	41.2	30.1	34.2	26.6	19.4		26
29		64.1	58.2	52.2	41.2	28.3	33	26.6	19.4	14.5	29
33		53.1	50.9	46	38.8	25.6	31.2	26.6	19.3	14.5	33
39		40	37.8	37.5	34	22.6	28.1	26.2	18.9	14.5	39
46			28.1	31.6	29.2	20	24.6	23.7	18.2	14.3	46
52			22.5	26.6	25.8	18	22.2	21.1	17.2	13.9	52
59			17.4	21.6	20.7	16.3	19.6	18.5	16.3	13	59
65				18.2	17.5	15.1	18	16.7	14.9	12.2	65
72					14.4	13.9	15.2	15	13.6	11.2	72
79					11.8	12.5	12.7	12.4	12.2	10.1	79
85					10	11.7	10.8	10.4	10.8	9.3	85
92							9.2	8.7	9.2	8.3	92
98							7.8	7.3	7.8	7.7	98
105							6.3	6.1	6.6	6.6	105
111								5.1	5.6	5.6	111
118								4.2	4.6	4.6	118
124								3.2	3.6	3.6	124
131									2.8	2.8	131
138									2.1	2.1	138
144										1.5	144

* over rear

All information given are for reference only.

All Terrain Cranes

Hydraulic Truck Cranes

Boom Trucks

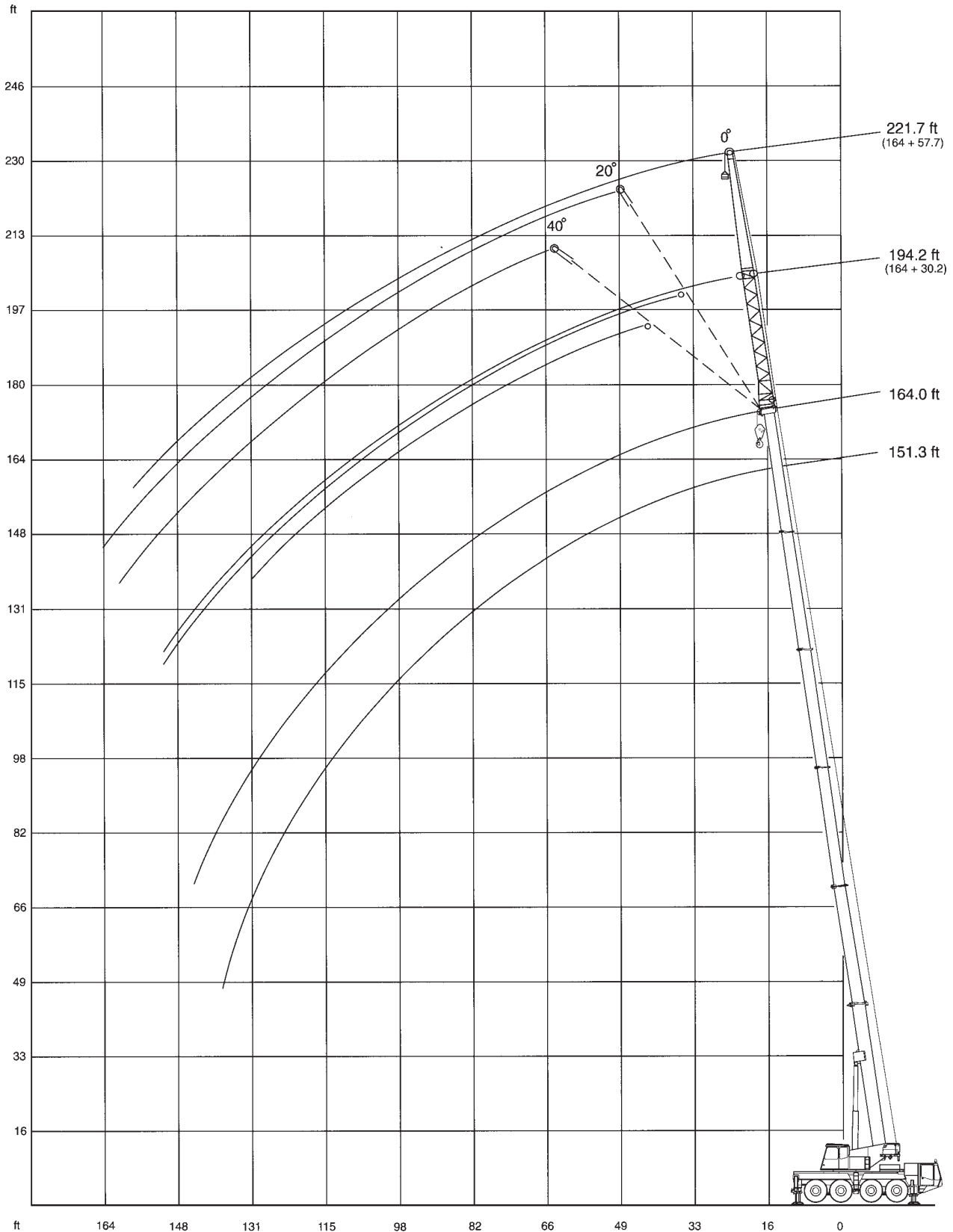
Carry Decks

Rough Terrain Cranes

Crawler Cranes

Tower Cranes

General Information





151.3-164 ft



30.2 ft



39,700 lbs



25'3" x 23'



360°

85

85%

ft	0°	151.3 20°	40°	0°	164 20°	40°	ft
33	9.2						33
39	9.2			6.8			39
46	9.2	8.1		6.8	6.8		46
52	9.2	8.1	7.2	6.8	6.8	6.4	52
59	9	7.7	7	6.8	6.6	6.1	59
65	8.8	7.5	6.8	6.6	6.2	5.7	65
72	8.1	7.2	6.6	6.1	5.7	5.5	72
79	7.6	6.8	6.3	5.7	5.4	5	79
85	7.2	6.6	6.1	5.3	5	4.8	85
92	7	6.1	5.7	5	4.8	4.6	92
98	6.6	5.5	5.5	4.8	4.6	4.4	98
105	6.1	5.2	5.2	4.6	4.4	4.1	105
111	5.7	5	4.8	4.4	4.2	3.9	111
118	5	4.8	4.6	4.1	3.9	3.5	118
124	4.2	4.6	4.4	3.9	3.5	3.5	124
131	3.3	3.9	4.1	3.3	3.5	3.3	131
138	2.6	3		2.6	2.8		138
144	2.2	2.4		2	2.4		144
151	1.7	1.9		1.5	1.7		151

All information given are for reference only.

All Terrain Cranes

Demag AC 205



100 t



151.3-164 ft



57.7 ft



39,700 lbs



25'3" x 23'



360°

85

85%

ft	151.3			164			ft
	0°	20°	40°	0°	20°	40°	
39	3.5						39
46	3.5			2.4			46
52	3.5			2.4			52
59	3.5	3.3		2.4			59
65	3.5	3.3		2.4	2.4		65
72	3.3	3.3		2.4	2.4		72
79	3.2	3.3	2.8	2.4	2.4	2.4	79
85	3	3.3	2.6	2.4	2.4	2.4	85
92	3	3	2.6	2.4	2.4	2.4	92
98	3	3	2.6	2.2	2.4	2.4	98
105	2.8	2.8	2.6	2.2	2.4	2.4	105
111	2.8	2.8	2.6	2	2.2	2.4	111
118	2.6	2.8	2.4	1.9	2.2	2.2	118
124	2.6	2.6	2.4	1.9	2	2.2	124
131	2.6	2.6	2.4	1.9	1.9	1.9	131
138	2.4	2.6	2.4	1.7	1.9	1.9	138
144	2.4	2.4	2.4	1.7	1.9	1.9	144
151	2.1	2.4	2.4	1.7	1.7	1.7	151
157	1.7	2.2	2.4	1.5	1.7	1.7	157
164		1.7			1.5		164