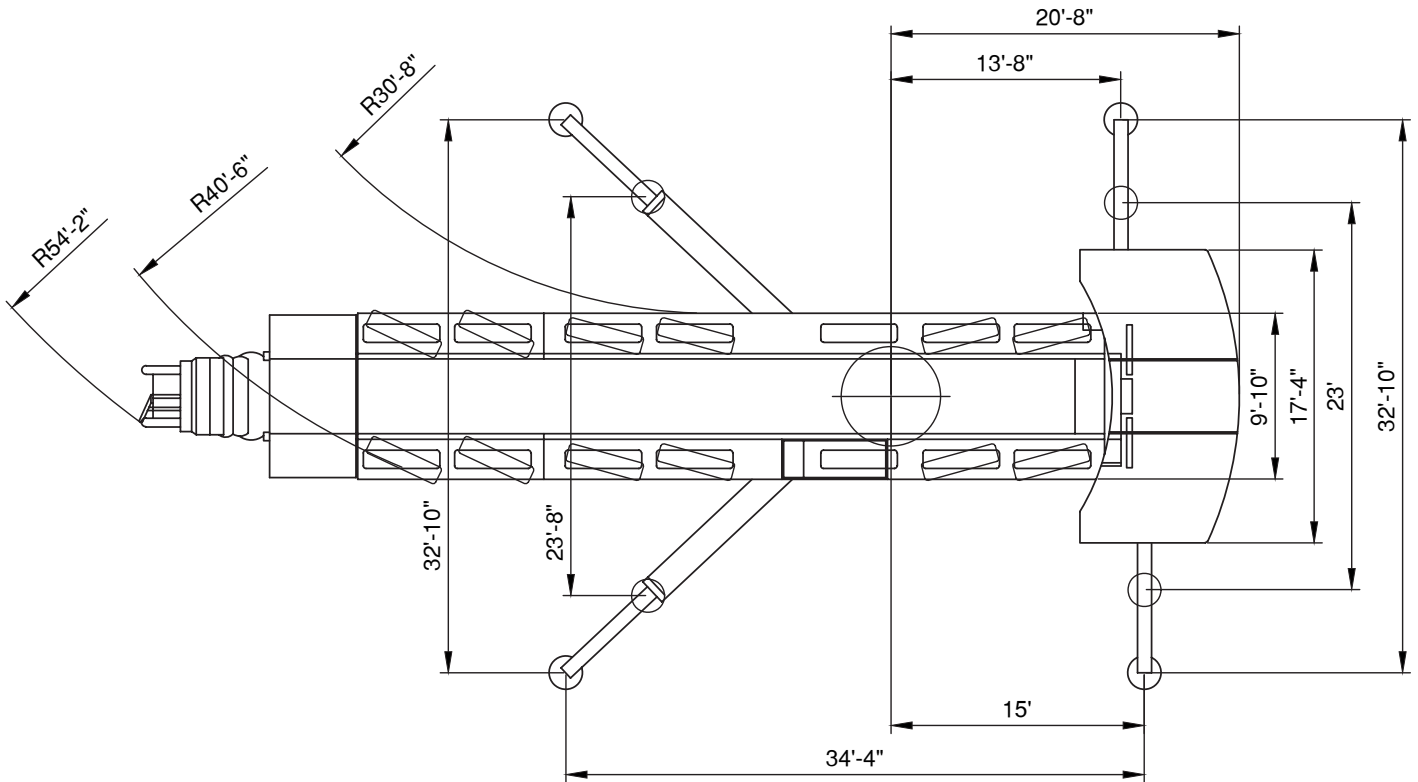
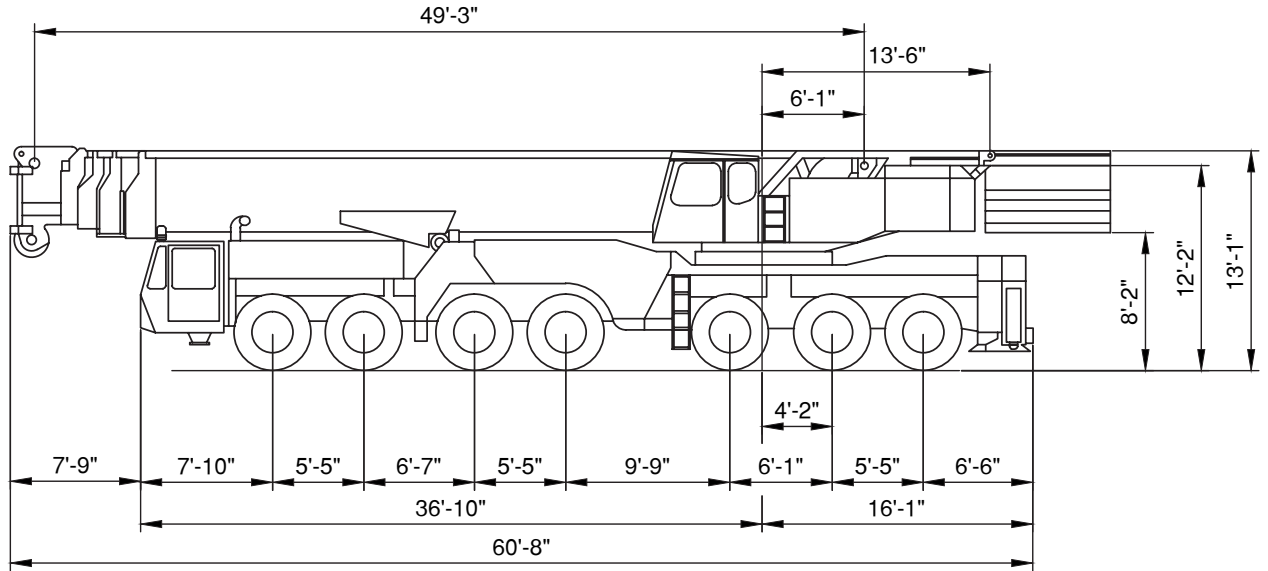


All information given are for reference only.

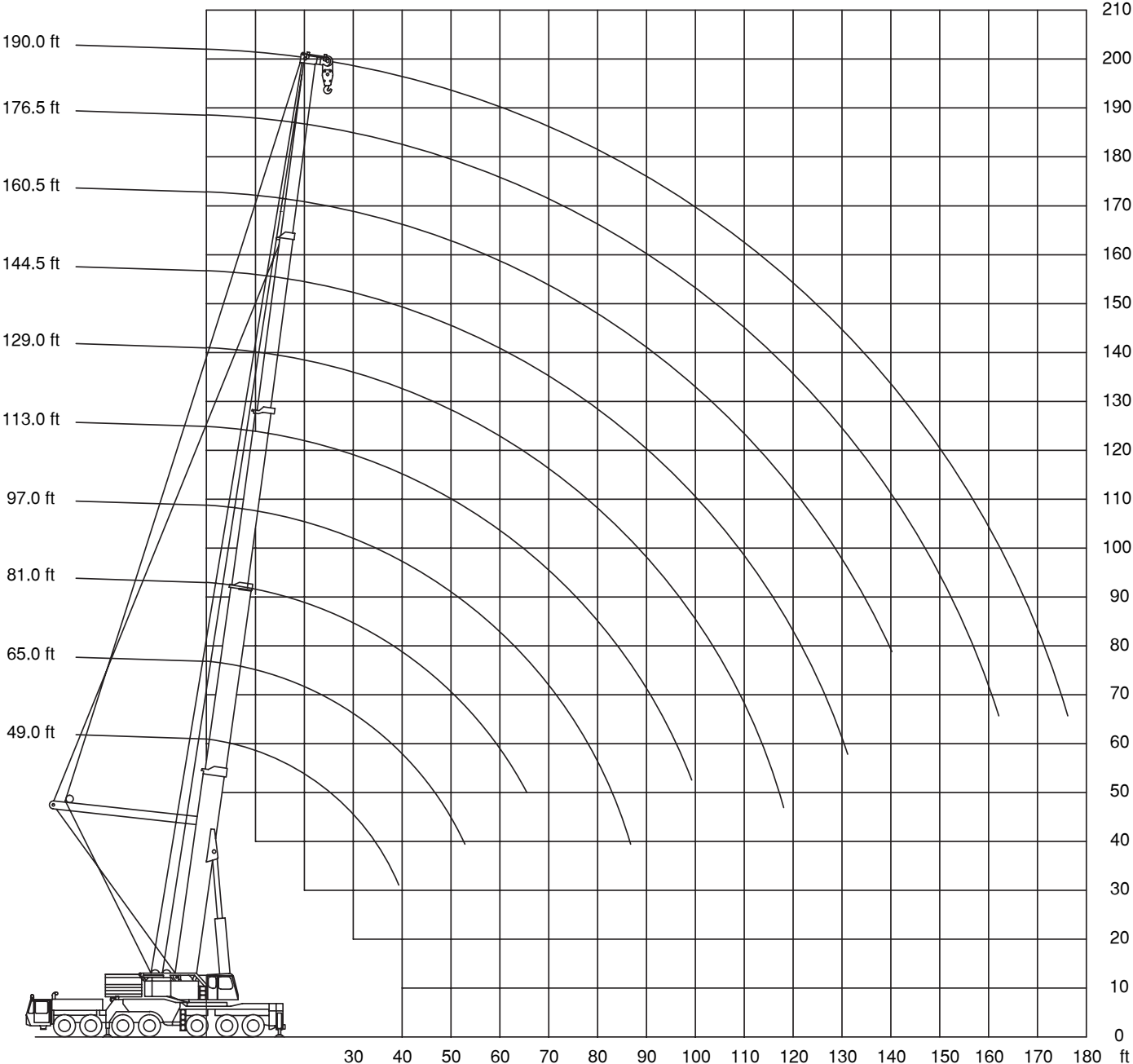


Crane based out of Bensalem branch.
Available in other regions upon special request

500 t

All Terrain Cranes

Demag AC 1200




49-190 ft

269,000 lbs

34'4" x 32'10"

360°
85
85%

All information given are for reference only.

ft	49	49	65	81	97	113	129	144.5	160.5	176.5	190	ft
10	1000 ²⁾											10
10	869 ^{**1)}	600 ^{**}										10
11	788 ^{**1)}	574 ^{**}	569 ^{**}									11
13	668 ^{**1)}	523 ^{**}	521 ^{**}									13
15	587 ^{**1)}	484 ^{**}	480 ^{**}									15
16	553 ^{**1)}	466 ^{**}	463 [*]	401 [*]	343 [*]							16
19	470 ^{*1)}	418 [*]	416 [*]	368 [*]	329 [*]	255						19
23	365 [*]	365 [*]	363 [*]	325 [*]	306	242	209					23
26	335 [*]	335 [*]	333 [*]	297	284	230	201	167				26
29	308	308	306	282	267	218	189.5	159.5	135			29
33	276	276	274	254	241	204	175.5	149	128.5	102		33
39	240	240	240	226	215	184	155.5	135	120.5	98	84	39
46			208	194.5	187	162.5	134	121	10.9	92.5	79	46
52			179.5	172.5	167	146.5	121	111	99.5	86	75	52
59				150	145.5	132	107	101	89	80.5	70.5	59
65				130.5	129.5	122	97.5	93	82	75	65	65
72					115	110.5	88	94	76	69.5	61	72
79					101.5	101	81	76.5	70	64	57.1	79
85					84.5	95	74	70.5	66	60	53.9	85
92						84.5	67	63.5	61.5	55.9	49.7	92
98						77.5	61	58.9	56.5	52.7	46.9	98
105							55.1	54	52.2	49.3	43.6	105
111							51	49.98	48.8	46.5	41.2	111
118							45.5	45.4	45.4	43	38.8	118
124								42.8	42.8	40.8	36.4	124
131								39.7	39.7	38.6	34.4	131
138									37.4	36.3	32.1	138
144										34.2	30.9	144
151										32.1	29	151
157										30.5	27.6	157
164											6.4	164

1) with additional outrigger and double hook block

2) static test load only

* with heavy-lift attachment

** with heavy-lift attachment and double hook block

All Terrain Cranes

Demag AC 1200



500 t



49-190 ft



211,500 lbs



34'4" x 32'10"



360°

85

85%

ft	49	65	81	97	113	129	144.5	160.5	176.5	190	ft
10	589**										10
11	563**	559**									11
13	516**	514**									13
15	474**	472**									15
16	458*	456*	401*	343*							16
19	411*	409*	368*	329*	255						19
23	361*	358*	325*	306	242	209					23
26	328*	326*	297	284	230	201	167				26
29	304	300	282	267	218	189.5	159.5	135			29
33	272	270	254	241	204	175.5	149	128.5	102		33
39	238	233	226	215	184	155.5	135	120.5	98	84	39
46		198	194.5	187	162.5	134	121	109	92.5	79	46
52		172.5	172.5	167	146.5	121	111	99.5	86	75	52
59			144.5	145.5	132	107	101	89	80.5	70.5	59
65			124	126.5	122	97.5	93	82	75	65	65
72				107	110.5	88	84	76	69.5	61	72
79				93	96.5	81	76.5	70	64	57.1	79
85				82	86	74	70.5	66	60	53.9	85
92					75.5	67	63.5	61.5	55.9	49.7	92
98					68.5	61	58.9	56.5	52.7	46.9	98
105						55.1	54	52.2	49.3	43.6	105
111						51	49.9	48.8	46.5	41.2	111
118						45.5	45.4	45.4	43	38.8	118
124							42.8	42.8	40.8	36.4	124
131							39.7	39.7	38.6	34.4	131
138								37.4	36.3	32.1	138
144									34.2	30.9	144
151									32.1	29	151
157									30.5	27.6	157
164										26.4	164

* with heavy-lift attachment

** with heavy-lift attachment and double hook block


113-190 ft

269,000 lbs

34'4" x 32'10"

360°
85
85%

ft	113	129	144.5	160.5	176.5	190	ft
23	286*	231*					23
26	282*	223*	173				26
29	271*	215	169	142.5			29
33	257	204	165	138.5	119		33
39	232	191.5	155.5	132.5	119	83.5	39
46	200	177	147.5	126.5	114.5	83.5	46
52	178	166	140.5	121.5	110.5	81.5	52
59	156.5	154	132	115.5	105.5	80	59
65	138.5	143	126	110.5	101.5	79	65
72	122.5	127	118	105.5	97	78	72
79	108.5	114	111	100	92	77	79
85	97.5	104	103.5	96	88	77	85
92	84.5	91	91	91	84.5	76	92
98	69	82	83	85	80.5	75	98
105		74.5	74.5	76	77	72.5	105
111		64.5	67.5	70	72	69.5	111
118		47	62	63.5	65.5	66	118
124			55.6	58.7	60.5	61	124
131			43.2	53.3	55.7	55.9	131
138				48.8	50.8	51.2	138
144					47.3	47.6	144
151					43.3	43.6	151
157					37.9	40.7	157
164					28	37.2	164
170						32.6	170
177						24	177

* with heavy-lift attachment

All information given are for reference only.

All Terrain Cranes

Hydraulic Truck Cranes

Boom Trucks

Carry Decks

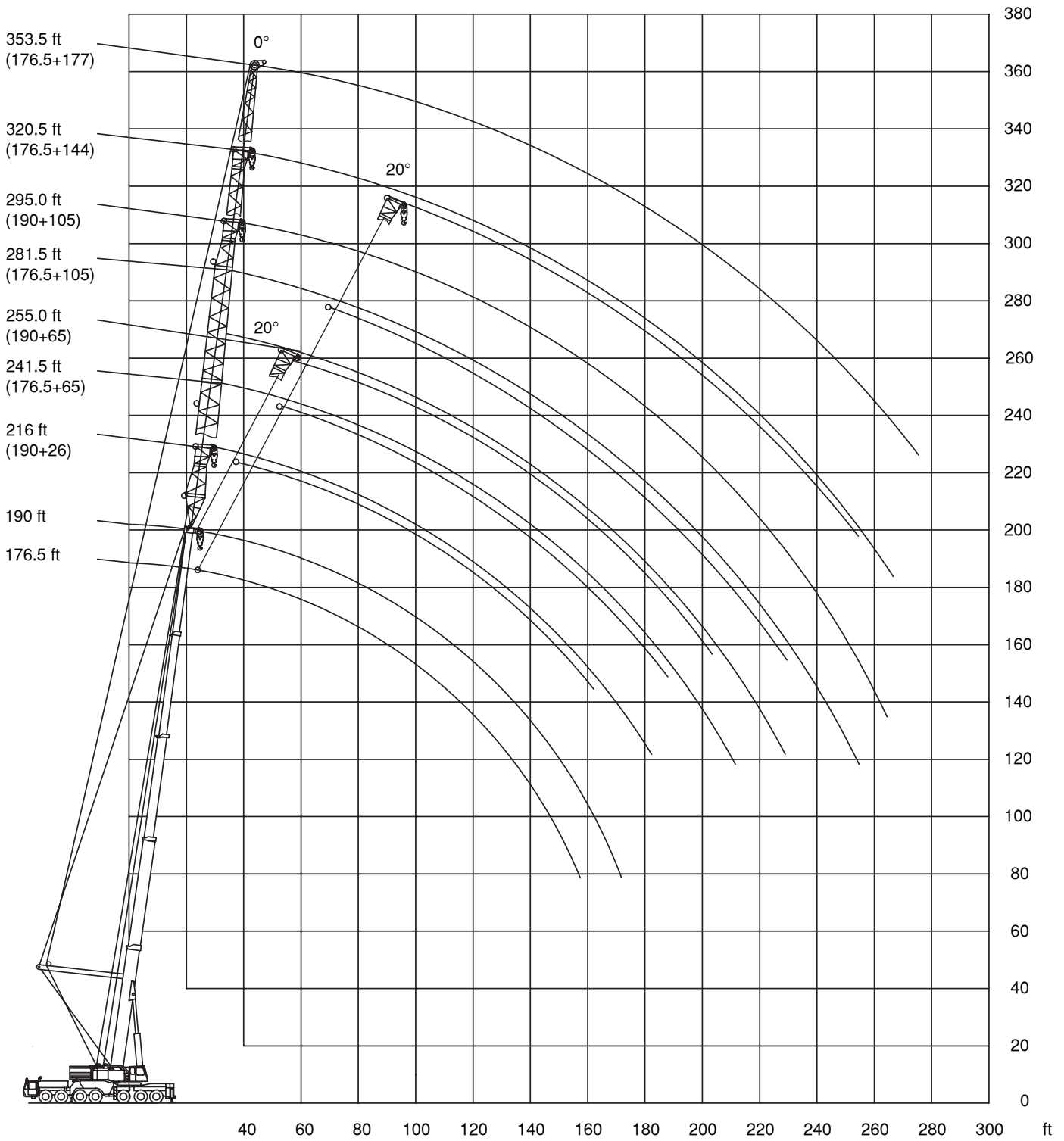
Rough Terrain Cranes

Crawler Cranes

Tower Cranes

General Information

500 t




176.5 ft

65-177 ft

269,000 lbs

34'4" x 32'10"

360°
85
85%

ft	65		105		144		177	ft
	0°	20°	0°	20°	0°	20°	0°	
52	38.8							52
59	38.3		30.8					59
65	37.9		30		21.4			65
72	37.4	41	29.1		20.9			72
79	37	39.8	28.1		20.7		12.7	79
85	36.6	38.8	27.5		20.3		12.7	85
92	35.9	37.6	26.8	25.5	19.8		12.7	92
98	35.3	36.8	26	24.9	19.4		12.5	98
105	34.8	36.1	25.7	24.2	19.1		12.5	105
111	34.4	35.3	24.9	23.8	18.9		12.3	111
118	33.9	34.4	24.2	23.1	18.5	15.4	12.3	118
124	33.5	33.7	23.8	22.5	18.1	15.2	12.1	124
131	33	33	23.3	22	17.6	15.2	12.1	131
138	32.3	32.6	22.9	21.5	17.4	15.1	12.1	138
144	31.7	32	22.5	21.1	17.2	14.7	12.1	144
151	31.3	31.5	22	20.7	16.7	14.1	12.1	151
157	30.8	31.1	21.6	20.3	16.3	13.7	11.7	157
164	30.2	30.6	21.1	19.8	15.8	13.2	11.2	164
177	29.3	29.7	20.2	19.1	15	12.1	10.5	177
190	27.5	28.9	19.6	18.5	14.3	11.4	9.9	190
203	23.7		18.9	18	13.6	10.6	9.2	203
216	17.4		18.5	17.6	12.8	9.9	8.4	216
229			17.8	17.2	12.1	9.2	7.9	229
243			14.4		11.2	8.8	7.2	243
256			8.7		10.7	8.3	6.6	256
269					10.3		6.1	269
282							5.5	282

All information given are for reference only.

All Terrain Cranes

Hydraulic Truck Cranes

Boom Trucks

Carry Decks

Rough Terrain Cranes

Crawler Cranes

Tower Cranes

General Information

All Terrain Cranes

Demag AC 1200



500 t



190 ft



26-105 ft



269,000 lbs



34'4"x32'10"



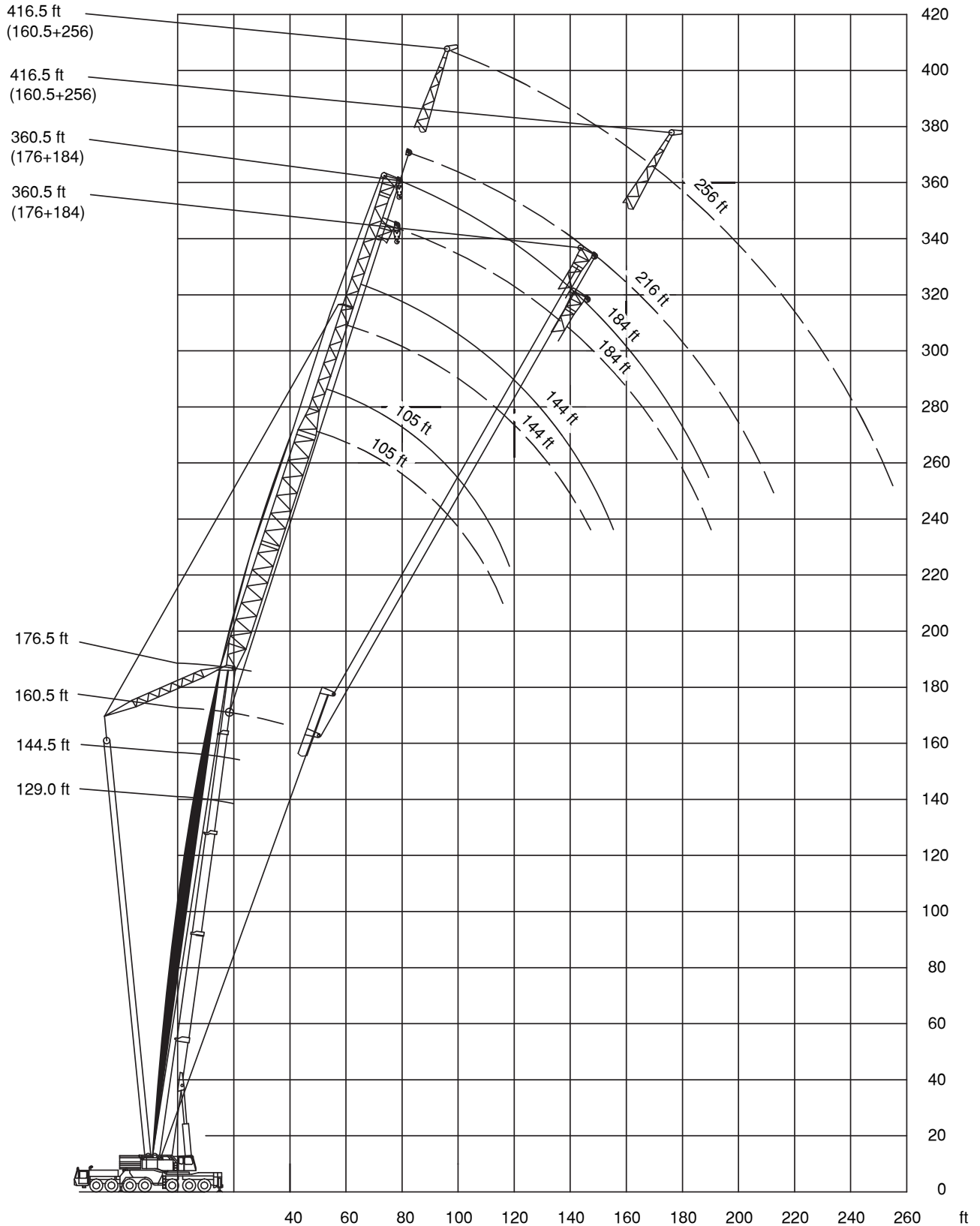
360°

85

85%

ft	26		65		105	ft
	0°	20°	0°	20°	0°	
46	55.1					46
52	54.5	57.6	35.9			52
59	54	56.6	35.2		22.4	59
65	53.4	55.8	34.4		22.4	65
72	53.1	54.9	33.5	35.2	22.4	72
79	51.9	53.9	33	34.3	22	79
85	50.9	52.7	32.4	33.5	22	85
92	50	52	31.5	32.8	21.8	92
98	49.2	50.9	31.1	32.2	21.6	98
105	48.5	50	30.6	31.3	21.3	105
111	47.8	49.2	30	30.6	21.1	111
118	47.1	48.2	29.5	30.2	20.7	118
124	46.7	47.4	29.1	29.6	20.3	124
131	46.3	46.9	28.6	29.1	20	131
138	45.1	46.2	28.2	28.4	19.6	138
144	44.3	45	28	28	19.4	144
151	41.8	42.5	27.5	27.5	18.9	151
157	38.8	39.6	27.3	27.3	18.7	157
164	35.2	36.1	26.8	26.8	18.3	164
177	29.8		26.2	26.2	17.8	177
190	24.1		24	24.9	17.2	190
203			20.4	21.7	16.7	203
216			17.3		16.1	216
229			12.5		15.6	229
243					14.5	243
256					11.6	256
269					6.4	269

All information given are for reference only.



07-2011

All Terrain Cranes

Demag AC 1200



500 t



81-97 ft



65-216 ft



211,500 lbs



34'4" x 32'10"



360°

75

75%

82°

ft	81					97				ft
	65	105	144	184	216	105	144	184	216	
42	177									42
46	177	119								46
52	158	118				101				52
59	136.5	115.5	72.5			101				59
65	120.5	112.5	70.5			101	63			65
72	106	106	68	43.2		100	62.5			72
79		98.5	66	42.5	30.5	95	61.5	37.8		79
85		92.5	65	41.9	29.3	89.5	61	37	28.2	85
92		84.5	63.5	41.4	28.2	83.5	60	36.3	27	92
98		77.5	61.5	41	27.3	77.5	59.9	35.7	26.2	98
105		64.5	59.9	40.3	26	70.5	59	35.2	25.1	105
111			58.5	39.7	25		58	34.8	24.3	111
118			57.3	39.2	24		57.1	34.3	23.1	118
124			54.7	38.6	23.2		56.1	33.9	22.3	124
131			52.9	37.7	22.2		52.5	33.7	21.4	131
138			47.8	37	21.3		49	33.5	20.4	138
144			40.9	36.4	20.5		45.2	33.3	19.6	144
151				35.2	19.8			33	18.9	151
157				34.8	19.2			32.8	18.1	157
164				34.3	18.5			32.6	16.9	164
177				31.1	17.2			32.4	16.1	177
190					16.5				15.6	190
203					15.6				15.4	203


113-129 ft

105-256 ft

211,500 lbs

34'4" x 32'10"

360°
75
75%
82°

ft	105	144	113 184	216	256	105	144	129 184	216	256	ft
59	74.5					64					59
65	71.5	48.5				62.5					65
72	69.5	48.2				60.5	45.6				72
79	67	47.3	30.3			59.2	45.3				79
85	66	46.7	29.3	24		57.8	44.7	29.3			85
92	64	45.8	28.2	22.6	17.6	56.4	44	29	23.1		92
98	62.5	45.2	27.6	22	17.4	55.2	43.2	28.8	22.3		98
105	61.5	44.5	26.8	21.3	17.1	53.7	42.3	28.4	21.6	15.4	105
111	60.5	44.1	26	20.7	16.9	52.5	41.3	28.2	20.9	15.4	111
118		43.4	25.3	20.2	16.7		39.9	27.7	20.2	15.2	118
124		43	24.7	19.8	16.5		38.7	27.5	19.6	15.2	124
131		42.3	24.2	19.4	16.3		36.6	27.1	19.1	15.2	131
138		41.8	23.5	18.9	16.3		34.3	26.8	18.7	15.2	138
144		41.4	23.1	18.5	16.1		31.8	26.2	18.3	15.2	144
151			22.4	18	16		29	25.7	18	15.2	151
157			22	17.8	15.8			25.3	17.6	15	157
164			21.6	17.4	15.8			24.9	17.4	14.9	164
177			20.7	16.7	15.6			23.6	16.7	14.9	177
190				16.3	15.2				16.3	14.9	190
203				15.8	14.9				15.8	14.9	203
216				15.4	14.9				15.4	14.7	216
229					14.7					14.7	229
243					14.5					14.5	243
256										14.5	256

All information given are for reference only.

All Terrain Cranes

Hydraulic Truck Cranes

Boom Trucks

Carry Decks

Rough Terrain Cranes

Crawler Cranes

Tower Cranes

General Information

All Terrain Cranes

Demag AC 1200



500 t



144.5-176.5 ft



105-256 ft



211,500 lbs



34'4"x32'10"



360°

75

75%

82°

ft	144.5					160.5					176.5			ft
	105	144	184	216	256	105	144	184	216	256	105	144	184	
65	43					37.5								65
72	42.3	32.8				36.6					27.7			72
79	41.6	32.6				36.3	21.8				27.5	16.5		79
85	40.8	32.4	22			35.9	21.8				27.5	16.5		85
92	39.8	32.1	21.8			35.2	21.8	15.2			27.5	16.5	11.9	92
98	39.2	31.9	21.6	17.4		31.4	21.8	15	8.8		27.5	16.5	11.9	98
105	38.8	31.7	21.3	17.4	8.8	33.7	21.8	14.9	8.8		27.5	16.5	11.9	105
111	38.3	31.5	21.1	17.4	8.8	33.1	21.8	14.9	8.8	4.4	27.3	16.5	11.9	111
118	37.9	31.3	20.9	17.1	8.8	32.2	21.6	14.9	8.8	4.4	27.1	16.5	11.9	118
124		31.3	20.7	17.1	8.8		21.6	14.7	8.8	4.4		16.5	11.9	124
131		31	20.5	16.9	8.8		21.6	14.7	8.8	4.4		16.5	11.9	131
138		31	20.2	16.9	8.8		21.6	14.7	8.8	4.4		16.5	11.8	138
144		30.8	20	16.7	8.8		21.6	14.7	8.8	4.4		16.5	11.6	144
151		30.8	19.8	16.7	8.8		21.3	14.7	8.8	4.4		16.5	11.4	151
157			19.6	16.5	8.8			14.7	8.8	4.4		16.5	11.2	157
164			19.4	16.3	8.8			14.5	8.8	4.4			10.5	164
177			18.9	16	8.8			14.5	8.8	4.4			10.3	177
190			18.5	16	8.8			14.1	8.8	4.4			9.4	190
203				15.8	8.8				8.8	4.4				203
216				15.6	8.8				8.8	4.4				216
229					8.8					4.4				229
243					8.8					4.4				243
256					8.8					4.4				256