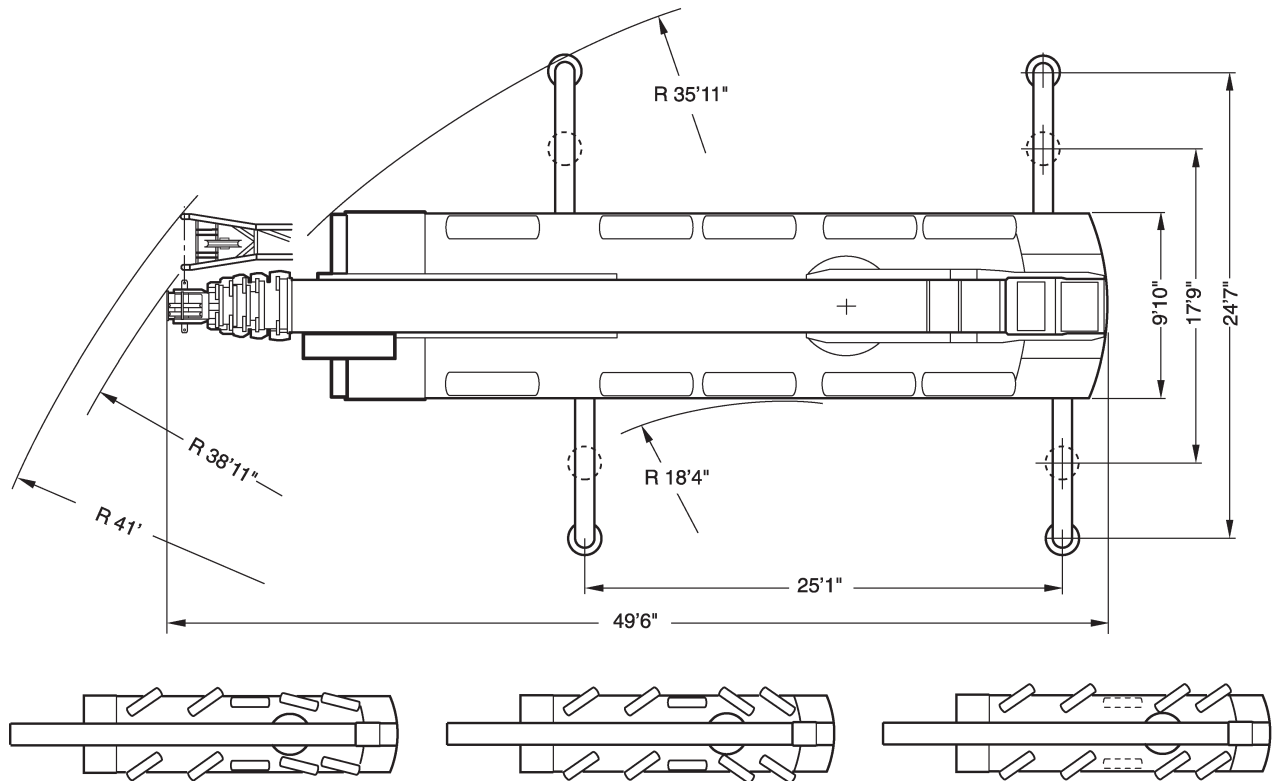
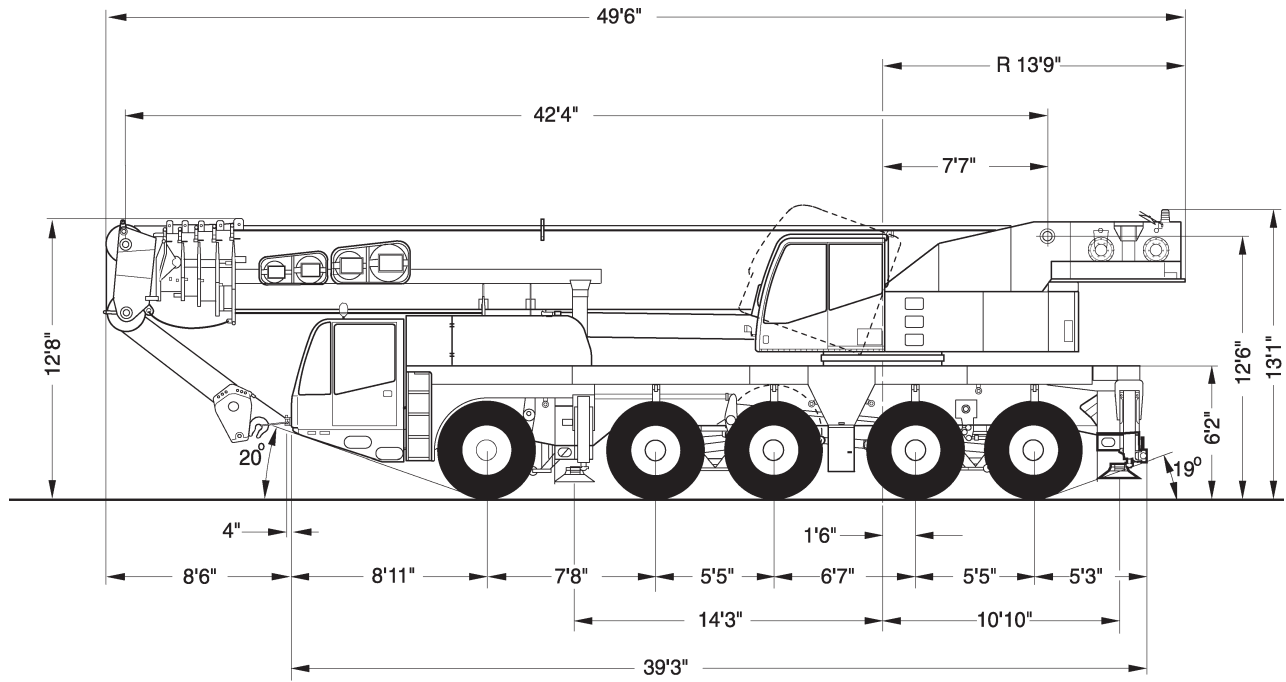
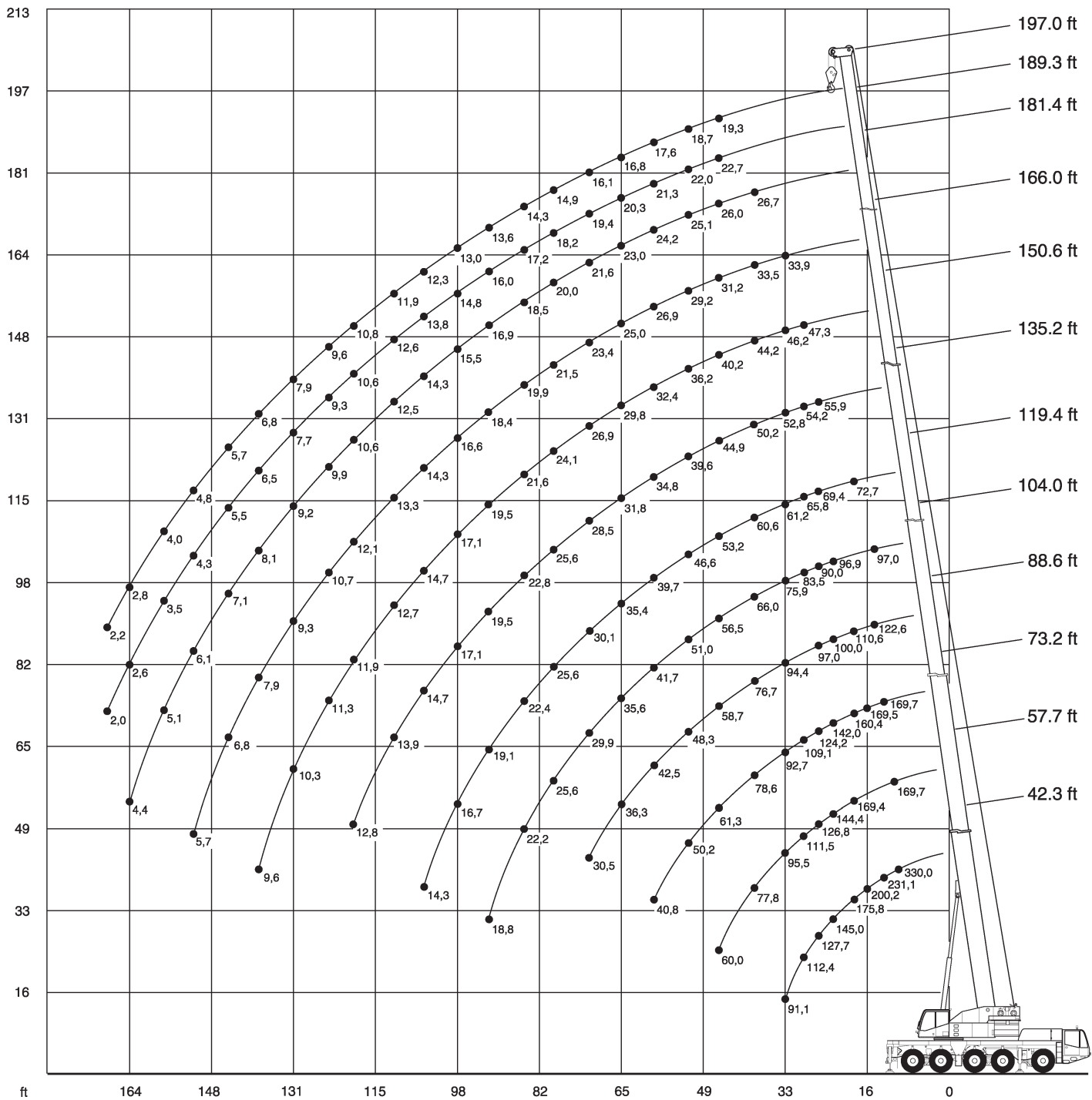


All information given are for reference only.



Crane based out of Boston branch.
Available in other regions upon special request

165 t




42.3-197 ft

83,800 lbs

25'1" x 24'7"

360°
85
85%

All information given are for reference only.

ft	42.3	57.7	73.2	88.6	104.3	119.4	135.2	150.6	166	181	189	197	ft
10	330*												10
10	300*												10
10	268.8												10
11	255.5	169.7											11
13	231.1	169.7	169.7										13
15	209.6	169.7	169.7	122.6									15
16	200.2	169.7	169.5	118.1	97								16
19	175.8	169.4	160.4	110.6	97	72.7							19
23	145	144.4	142	100	96.9	72.7							23
26	127.7	126.8	124.2	97	90	69.4	55.9						26
29	112.4	111.5	109.1	97	83.5	65.8	54.2	47.3					29
33	91.1	95.5	92.7	94.4	75.9	61.2	52.8	46.2	33.9				33
39		77.8	78.6	76.7	66	60.6	50.2	44.2	33.5	26.7			39
46		60	61.3	58.7	56.5	53.2	44.9	40.2	31.2	26	22.7	19.3	46
52			50.2	48.3	51	46.6	39.6	36.2	29.2	25.1	22	18.7	52
59			40.8	42.5	41.7	39.7	34.8	32.4	26.9	24.2	21.3	17.6	59
65				36.3	35.6	35.4	31.8	29.8	25	23	20.3	16.8	65
72				30.5	29.9	30.1	28.5	26.9	23.4	21.6	19.4	16.1	72
79					25.6	25.6	25.6	24.1	21.5	20	18.2	14.9	79
85					22.2	22.4	22.8	21.6	19.9	18.5	17.2	14.3	85
92					18.8	19.1	19.5	19.5	18.4	16.9	16	13.6	92
98						16.7	17.1	17.1	16.6	15.5	14.8	13	98
105						14.3	14.7	14.7	14.3	14.3	13.8	12.3	105
111							13.9	12.7	13.3	12.5	12.6	11.9	111
118							12.8	11.9	12.1	10.6	10.6	10.8	118
124								11.3	10.7	9.9	9.3	9.6	124
131								10.3	9.3	9.2	7.7	7.9	131
138								9.6	7.9	8.1	6.5	6.8	138
144									6.8	7.1	5.5	5.7	144
151									5.7	6.1	4.3	4.8	151
157										5.1	3.5	4	157
164										4.4	2.6	2.8	164
170											2	2.2	170

* over rear

All Terrain Cranes

Hydraulic Truck Cranes

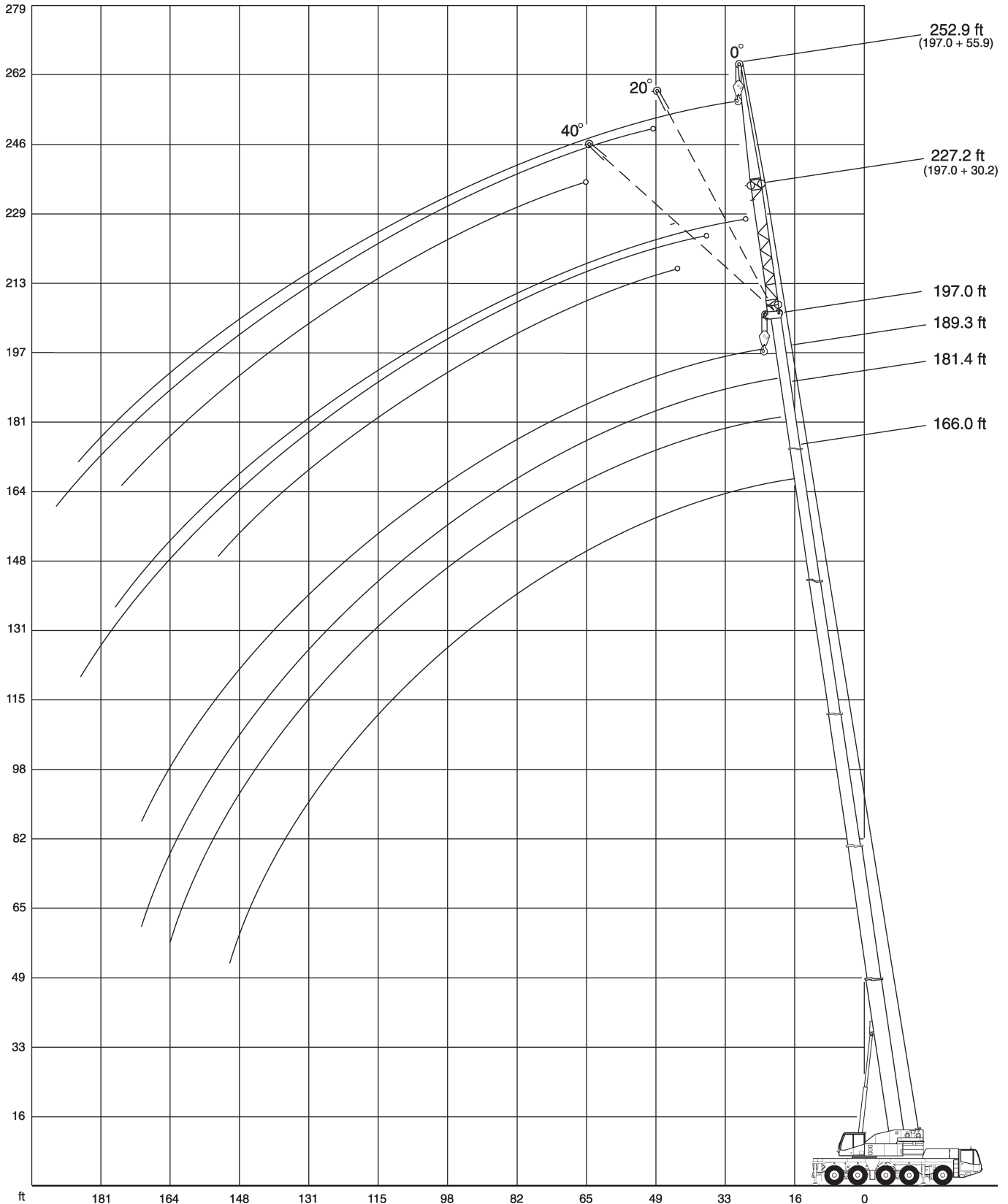
Boom Trucks

Carry Decks

Rough Terrain Cranes

Tower Cranes

General Information




166-197 ft

30.2 ft

83,800 lbs

25'1"x24'7"

360°
85
85%

All information given are for reference only.

ft	166			181.8			189.3			197			ft
	0°	20°	40°	0°	20°	40°	0°	20°	40°	0°	20°	40°	
46	19.8			16									46
52	18.8			15.2			12.5			11.2			52
59	17.4	13	11.4	14.5			12.3			10.8			59
65	16.6	13	11.4	13.7	11.6	10.8	12.1			10.6			65
72	15.4	12.7	11.2	12.8	11.6	10.8	11.9	10.3	10.1	10.3	9.4	9.7	72
79	14.5	12.5	10.7	12.1	11.2	10.5	11.4	10.3	10.1	10.1	9.4	9.6	79
85	13.9	12.1	10.5	11.7	10.6	10.3	10.8	9.9	9.9	9.9	9.2	9.2	85
92	12.9	11.8	10.3	11.2	10.3	9.9	10.3	9.6	9.4	9.4	8.8	9	92
98	12.3	11.4	10.1	10.6	9.9	9.7	9.9	9.2	9.2	9.2	8.4	8.4	98
105	11.6	10.8	9.9	10.1	9.4	9.4	9.4	8.8	9	9	8.1	8.1	105
111	11.2	10.6	9.7	9.7	9.2	9	9	8.4	8.4	8.4	7.7	7.7	111
118	10.3	10.1	9.4	9.2	8.8	8.8	8.8	7.9	7.9	7.9	7.4	7.4	118
124	9.7	9.7	9	8.8	8.4	8.4	8.2	7.7	7.7	7.7	7.1	7.1	124
131	8.4	9.2	8.8	8.1	7.9	7.9	7.7	7.2	7.2	7.2	6.8	6.8	131
138	7	7.6	8.1	7.2	7.4	7.7	7.2	7	6.8	6.8	6.6	6.6	138
144	6.2	6.6		6.2	6.8	7.2	6.2	6.6	6.6	6.4	6.1	6.4	144
151	5	5.5		5	5.7		5	5.7	6.3	5.2	5.7	5.7	151
157	4.2	4.6		4.2	4.9		4.2	4.9		4.4	5.1		157
164	3	3.5		3.3	3.9		3.3	3.9		3.3	4.1		164
170	2.4	2.9		2.7	3.1		2.7	3.1		2.7	3.1		170
177	1.7			2	2.2		2	2.4		2	2.4		177
184								1.7			1.7		184

All Terrain Cranes

Hydraulic Truck Cranes

Boom Trucks

Carry Decks

Rough Terrain Cranes

Crawler Cranes

Tower Cranes

General Information

All Terrain Cranes

Demag AC 120



165 t



166-197 ft



55.9 ft



83,800 lbs



25'1" x 24'7"



360°

85

85%

ft	166			181.8			189.3			197			ft
	0°	20°	40°	0°	20°	40°	0°	20°	40°	0°	20°	40°	
52	9.2			8.1									52
59	8.8			7.9			7			6.6			59
65	8.4	6.6		7.5			7			6.4			65
72	8.1	6.6		7.2	5.7		6.8			6.3			72
79	7.9	6.3	5.5	7	5.7		6.6	5.5		6.1	4.6		79
85	7.5	6.1	5.5	6.8	5.5	5.2	6.6	5.3		6.1	4.6		85
92	7.2	5.7	5.5	6.6	5.5	5.2	6.3	5.2	5	5.7	4.6	4.8	92
98	6.8	5.5	5.5	6.4	5.3	5.2	6.1	5	5	5.5	4.6	4.8	98
105	6.6	5.2	5.2	6.1	5	5	5.7	4.8	5	5.2	4.6	4.8	105
111	6.4	5.2	5.2	5.7	5	5	5.5	4.8	4.8	5	4.6	4.6	111
118	6.1	5	5	5.7	4.8	4.8	5.5	4.6	4.8	5	4.6	4.6	118
124	5.7	5	5	5.5	4.8	4.8	5.3	4.6	4.6	4.8	4.4	4.6	124
131	5.5	4.8	4.8	5.2	4.6	4.8	5	4.6	4.6	4.6	4.4	4.6	131
138	5.2	4.8	4.8	5	4.6	4.6	4.8	4.4	4.6	4.4	4.4	4.4	138
144	5	4.6	4.6	4.8	4.4	4.6	4.6	4.4	4.4	4.4	4.2	4.4	144
151	4.8	4.6	4.6	4.6	4.4	4.4	4.4	4.1	4.4	4.1	4.1	4.1	151
157	4.6	4.4	4.4	4.4	4.2	4.4	4.4	4.1	4.2	3.9	3.9	4.1	157
164	4.4	4.4	4.4	4.1	4.1	4.4	4.1	4.1	4.1	3.9	3.9	4.1	164
170	3.4	4.4		3.3	4.1	4.2	3.3	3.9	4.1	3.3	3.5	3.9	170
177	2.6	3.5		2.6	3.5		2.6	3.5	3.9	2.6	3.5	3.9	177
184	2.1	2.6		2.1	2.8		1.9	2.8		2.1	2.8		184
190		2.2			2.2			2.2			2.2		190