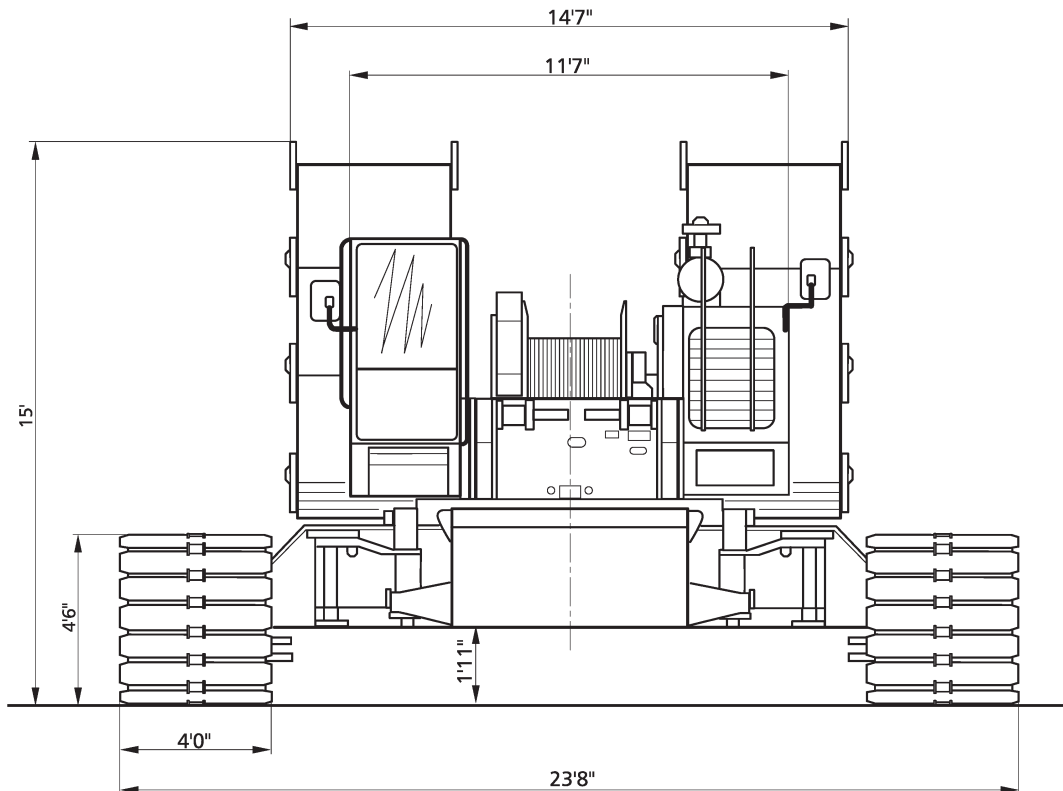
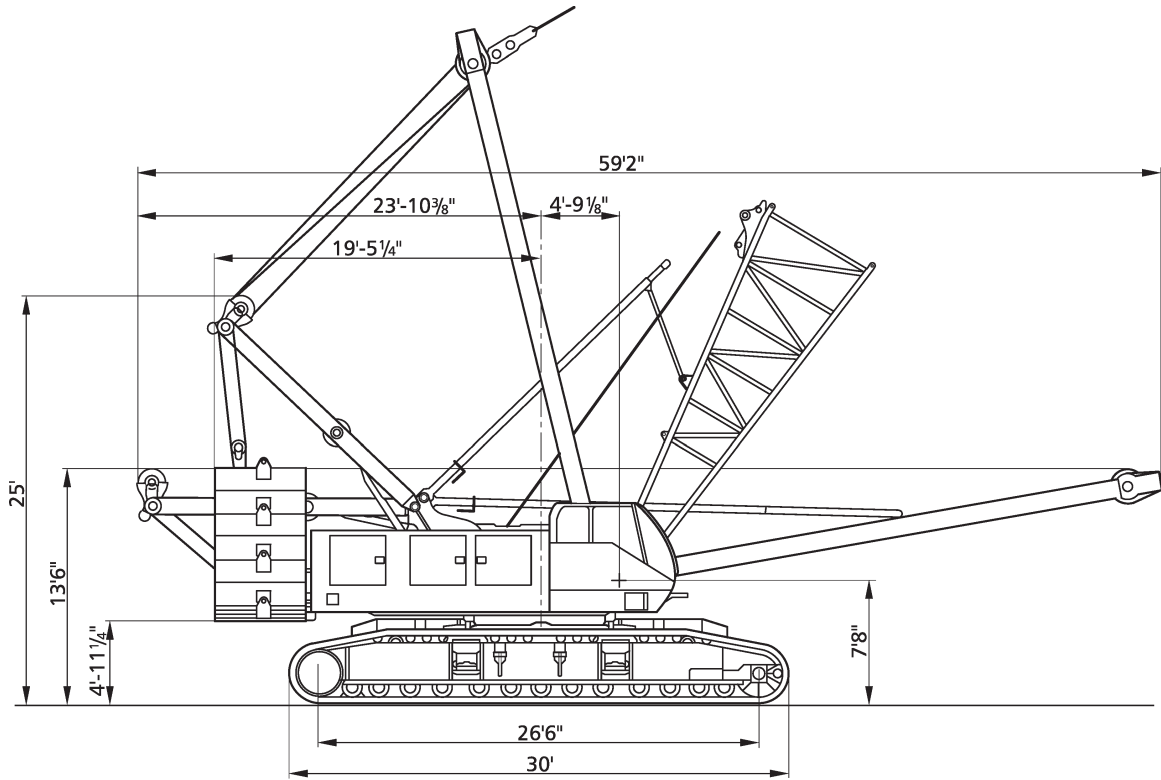
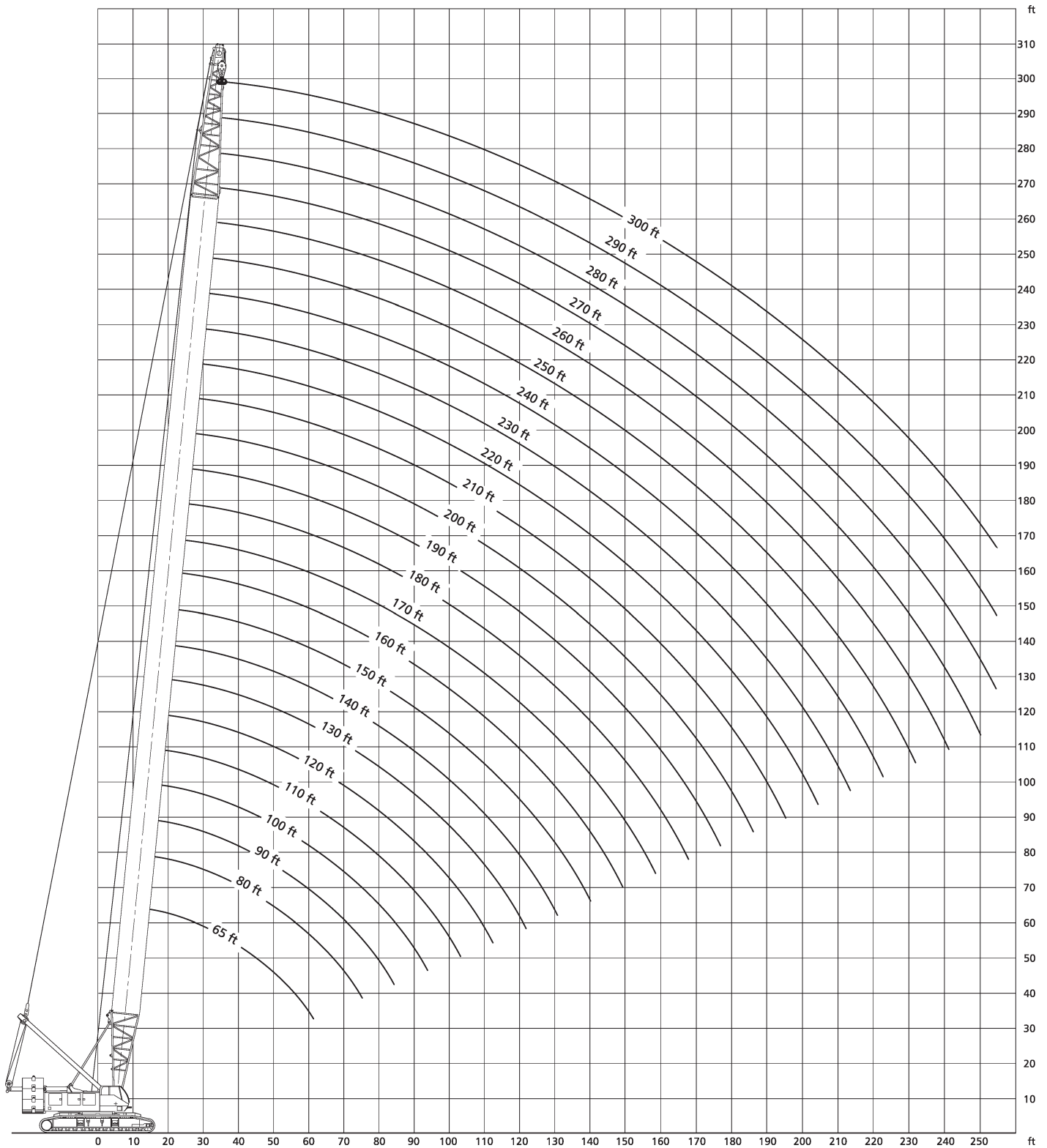


All information given are for reference only.



07-2011




65-180 ft

195,000 lbs

19'8"

360°
75
75%
Offset tip

ft	65	80	90	100	110	120	130	140	150	160	170	180	ft
16	550												16
20	438.43	438.04	437.78										20
25	350.74	350.42	350.2	349.99	349.77	349.56	321.04						25
30	292.25	291.95	291.75	291.56	291.37	291.18	287.4	281.42	275.62	268.19	249.69		30
35	232.57	232.83	232.57	232.18	231.84	231.45	231.43	231.04	230.61	227.39	223.06	212.5	35
40	191.98	192.2	191.94	191.53	191.17	190.78	190.76	190.37	189.91	189.49	189.05	188.84	40
50	141.34	141.52	141.23	140.8	140.42	140.01	140.01	139.59	139.11	138.67	138.21	138.01	50
60	111.04	111.22	110.93	110.5	110.12	109.71	109.74	109.32	108.84	108.38	107.93	107.76	60
70		90.94	90.64	90.19	89.8	89.38	89.41	88.97	88.46	88	87.53	87.35	70
80		76.54	76.27	75.85	75.49	75.08	75.14	74.72	74.23	73.78	73.32	73.17	80
90			65.39	64.98	64.61	64.2	64.25	63.82	63.32	62.87	62.4	62.25	90
100				56.51	56.14	55.73	55.79	55.36	54.85	54.39	53.91	53.77	100
110					49.37	48.96	49.02	48.59	48.08	47.61	47.14	46.99	110
120						43.43	43.49	43.06	42.54	42.07	41.59	41.44	120
130							38.98	38.6	38.12	37.68	37.24	37.13	130
140								34.66	34.2	33.76	33.31	33.2	140
150									30.82	30.39	29.94	29.84	150
160										27.47	27.03	26.91	160
170											24.46	24.37	170
180												21.83	180

with 64,000 lbs carbody counterweight

All information given are for reference only.

Crawler Cranes

American HC 275



275 t



190-300 ft



195,000 lbs



19'8"



360°

75

75%

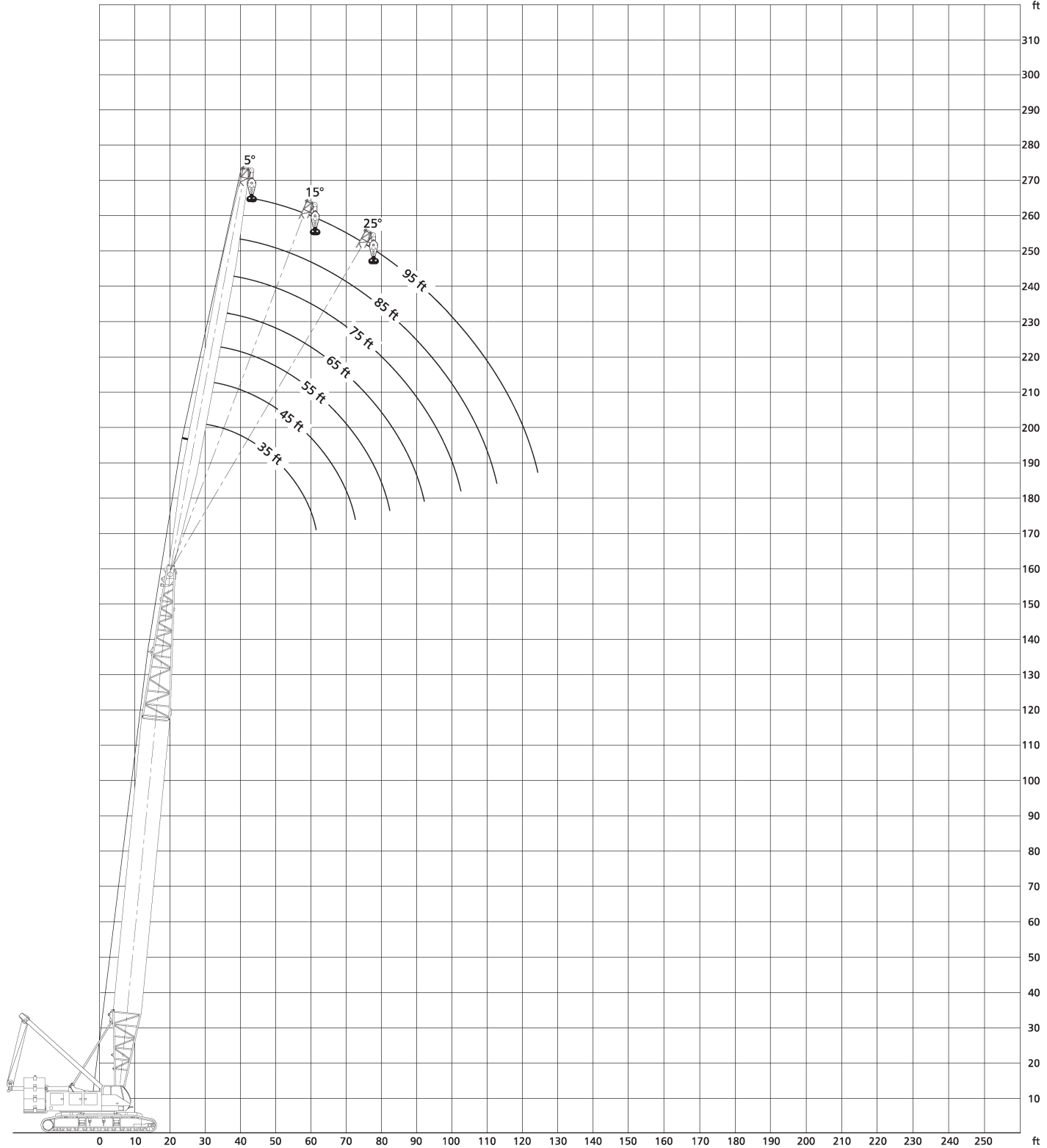
Offset tip

ft	190	200	210	220	230	240	250	260	270	280	290	300	ft
35	197.99	193.97											35
40	186.32	183.03	174.64	156.33	132.51	119.34							40
50	137.58	137.1	136.63	136.18	132.51	119.34	117.27	107.13	98.02	84.27	75.93	74.73	50
60	107.31	106.83	106.37	105.89	105.63	105.18	104.71	104.25	97.71	83.54	75.26	73.91	60
70	86.89	86.38	85.91	85.41	85.15	84.68	84.18	83.7	83.22	82.11	73.93	72.39	70
80	72.72	72.23	71.76	71.29	71.05	70.59	70.1	69.63	69.15	68.85	68.39	67.92	80
90	61.8	61.29	60.81	60.33	60.08	59.62	59.12	58.64	58.16	57.86	57.39	56.9	90
100	53.3	52.79	52.31	51.82	51.57	51.1	50.59	50.11	49.62	49.31	48.84	48.33	100
110	46.51	46	45.51	45.02	44.77	44.29	43.77	43.28	42.79	42.48	42	41.49	110
120	40.96	40.44	40.36	39.89	39.67	39.21	38.72	38.24	37.77	37.49	37.04	36.54	120
130	36.67	36.18	35.71	35.24	35.02	34.56	34.06	33.59	33.11	32.83	32.37	31.87	130
140	32.76	32.25	31.78	31.31	31.09	30.62	30.13	29.65	29.17	28.9	28.42	27.92	140
150	29.39	28.89	28.41	27.94	27.72	27.26	26.75	26.27	25.79	25.51	25.04	24.54	150
160	26.47	25.96	25.5	25.01	24.8	24.34	23.83	23.35	22.86	22.58	22.12	21.61	160
170	23.92	23.41	22.94	22.47	22.25	21.78	21.27	20.79	20.3	20.03	19.55	19.04	170
180	21.67	21.16	20.69	20.21	20	19.52	19.01	18.53	18.05	17.77	17.29	16.78	180
190	18.9	19.16	18.69	18.21	18	17.52	17.02	16.53	16.04	15.76	15.29	14.78	190
200		16.12	16.91	16.42	16.2	15.73	15.22	14.74	14.24	13.97	13.49	12.98	200
210			13.59	14.81	14.6	14.13	13.61	13.12	12.63	12.35	11.88	11.36	210
220				11.23	13.15	12.68	12.16	11.67	11.18	10.9	10.41	9.9	220
230					9.44	10.86	10.83	10.34	9.85	9.58	9.09	8.57	230
240						7.38	8.56						240
250							5.36						250

with 64,000 lbs carbody counterweight

All information given are for reference only.

07-2011



General Information
Tower Cranes
Crawler Cranes
Rough Terrain Cranes
Carry Decks
Boom Trucks
Hydraulic Truck Cranes
All Terrain Cranes

Crawler Cranes

American HC 275



275 t



240-270 ft



35 ft



195,000 lbs



19'8"



360°

75

75%

ft	240			250			260			270			ft
	5°	15°	25°	5°	15°	25°	5°	15°	25°	5°	15°	25°	
50	60			60			60			60			50
60	60	60	59.41	60	60	59.37	60	60		60	57.38		60
70	60	60	59.41	60	60	59.37	60	60	55.29	60	54.86	49.42	70
80	60	60	59.41	60	60	59.37	60	59.24	53.86	57.19	52.36	47.74	80
90	59.14	59.15	58.43	58.59	58.6	58.61	58.07	56.62	52.05	54.31	50.16	46.12	90
100	50.65	50.65	50.66	50.11	50.11	50.12	49.58	49.58	49.59	49.05	47.88	44.48	100
110	43.87	43.87	43.88	43.32	43.32	43.33	42.78	42.79	42.8	42.25	42.25	42.26	110
120	38.91	38.91	38.92	38.37	38.38	38.38	37.87	37.87	37.88	37.35	37.36	37.36	120
130	34.28	34.28	34.29	33.75	33.75	33.75	33.23	33.23	33.24	32.71	32.72	32.72	130
140	30.36	30.37	30.37	29.83	29.83	29.83	29.31	29.31	29.32	28.79	28.8	28.8	140
150	27.02	27.02	27.03	26.47	26.47	26.48	25.95	25.96	25.96	25.43	25.43	25.43	150
160	24.11	24.12	24.12	23.56	23.57	23.57	23.05	23.05	23.05	22.52	22.52	22.53	160
170	21.57	21.57	21.58	21.02	21.02	21.03	20.5	20.5	20.51	19.97	19.98	19.98	170
180	19.33	19.33	19.34	18.78	18.78	18.79	18.26	18.26	18.27	17.73	17.73	17.74	180
190	17.34	17.34	17.35	16.79	16.79	16.8	16.27	16.27	16.27	15.74	15.74	15.75	190
200	15.56	15.56	15.57	15.01	15.01	15.02	14.49	14.49	14.49	13.96	13.96	13.96	200
210	13.96	13.97	13.97	13.41	13.41	13.42	12.88	12.88	12.89	12.35	12.35	12.35	210
220	12.52	12.52	12.53	11.97	11.97	11.98	11.43	11.43	11.44	10.9	10.9	10.91	220
230	11.21	11.22	11.22	10.65	10.66	10.66	10.12	10.12	10.13	9.59	9.59	9.6	230
240	10.02	10.02	10.03	9.45	9.46	9.47	8.93	8.93	8.94	8.39	8.39	8.4	240
250				8.37	8.37	8.38	7.84	7.84	7.85	7.3	7.3	7.31	250
260							6.83	6.84	6.85	6.29	6.29	6.3	260
270										5.26	5.37	5.38	270

with 64,000 lbs carbody counterweight


240-280 ft

45 ft

195,000 lbs

19'8"

360°
75
75%

ft	240			250			260			270			280			ft
	5°	15°	25°	5°	15°	25°	5°	15°	25°	5°	15°	25°	5°	15°	25°	
60	60	60		60	60		60	59.18		60			50.62			60
70	60	60	46.35	60	60	46.31	60	57.22	46.26	57.65	50.91	44.68	47.47	42.11	35.71	70
80	60	60	46.35	60	60	46.31	60	55.01	46.26	54.57	48.88	43.53	44.59	40.19	34.6	80
90	59.34	59.35	45.45	58.8	58.81	46.09	58.28	52.96	46.26	51.71	46.87	42.16	42.06	36.82	33.56	90
100	50.86	50.86	42.99	50.31	50.31	43.69	49.78	49.78	44.17	49.08	44.87	40.77	38.23	35.27	32.41	100
110	44.08	44.08	40.94	43.53	43.53	41.63	42.99	42.99	42.14	42.46	42.46	38.43	36.2	33.71	31.24	110
120	39.13	39.14	39.14	38.61	38.61	38.62	38.09	38.1	38.1	37.58	37.58	37.03	34.35	32.15	29.94	120
130	34.52	34.52	34.52	33.98	33.98	33.99	33.46	33.47	33.47	32.94	32.94	32.95	32.59	30.72	28.76	130
140	30.6	30.6	30.61	30.06	30.06	30.07	29.54	29.55	29.55	29.02	29.02	29.03	28.67	28.68	27.58	140
150	27.24	27.24	27.25	26.7	26.71	26.71	26.18	26.18	26.19	25.66	25.66	25.67	25.3	25.31	25.31	150
160	24.35	24.35	24.35	23.8	23.8	23.81	23.27	23.27	23.28	22.74	22.75	22.75	22.4	22.4	22.41	160
170	21.8	21.8	21.81	21.25	21.26	21.26	20.72	20.73	20.73	20.2	20.2	20.21	19.85	19.85	19.86	170
180	19.56	19.56	19.57	19.01	19.01	19.02	18.49	18.49	18.5	17.95	17.95	17.96	17.6	17.61	17.61	180
190	17.57	17.57	17.58	17.02	17.02	17.03	16.5	16.5	16.51	15.96	15.96	15.97	15.62	15.62	15.63	190
200	15.8	15.8	15.81	15.24	15.24	15.25	14.72	14.72	14.73	14.18	14.18	14.19	13.84	13.84	13.85	200
210	14.19	14.19	14.2	13.64	13.64	13.65	13.12	13.12	13.13	12.57	12.58	12.59	12.23	12.24	12.24	210
220	12.76	12.76	12.77	12.19	12.19	12.2	11.67	11.67	11.68	11.13	11.13	11.14	10.78	10.79	10.79	220
230	11.44	11.45	11.46	10.89	10.89	10.9	10.35	10.36	10.36	9.82	9.82	9.83	9.47	9.47	9.48	230
240	10.25	10.26	10.27	9.69	9.69	9.7	9.16	9.16	9.17	8.62	8.63	8.63	8.27	8.27	8.28	240
250				8.6	8.6	8.61	8.06	8.06	8.07	7.52	7.52	7.53	7.17	7.18	7.19	250
260							7.06	7.07	7.08	6.52	6.52	6.53	6.17	6.18	6.18	260
270										5.59	5.6	5.61	5.24	5.25	5.26	270
280													4.06	4.36	4.4	280

with 64,000 lbs carbody counterweight

All information given are for reference only.

Crawler Cranes

American HC 275



275 t



240-280 ft



55 ft



195,000 lbs



19'8"



360°

75

75%

ft	240			250			260			270			280			ft
	5°	15°	25°	5°	15°	25°	5°	15°	25°	5°	15°	25°	5°	15°	25°	
60	60			60			60			58.16			48.35			60
70	60	60	38.55	60	59.63		60	53.18		54.86	47.45		45.38	37.58		70
80	60	56.67	38.55	60	57.29	38.53	58.46	51.53	38.51	52	45.64	38.49	42.62	36.27	31.89	80
90	59.58	52.8	38.55	59.03	53.64	38.53	55.58	49.57	38.51	49.22	44	37.67	40.17	34.69	31.03	90
100	51.09	49.27	38.55	50.54	50.27	38.53	50.01	47.68	38.51	46.73	42.19	36.69	36.65	33.26	30.03	100
110	44.31	44.31	38.01	43.76	43.76	38.53	43.22	43.22	38.51	42.69	40.39	35.77	34.75	31.86	29.01	110
120	39.4	39.4	36	38.86	38.87	36.6	38.35	38.35	37.18	37.83	37.78	34.65	32.91	30.44	27.96	120
130	34.77	34.77	34.31	34.23	34.24	34.24	33.72	33.72	33.73	33.19	33.2	33.2	31.22	29.15	26.98	130
140	30.85	30.85	30.86	30.32	30.32	30.33	29.8	29.8	29.81	29.27	29.28	29.28	28.92	27.86	25.92	140
150	27.5	27.51	27.51	26.96	26.96	26.97	26.44	26.44	26.45	25.91	25.92	25.93	25.56	25.56	24.86	150
160	24.6	24.6	24.61	24.05	24.05	24.06	23.53	23.54	23.54	23.01	23.01	23.02	22.65	22.65	22.66	160
170	22.06	22.07	22.07	21.51	21.52	21.53	20.99	20.99	21	20.46	20.46	20.47	20.1	20.11	20.11	170
180	19.82	19.82	19.83	19.27	19.27	19.28	18.74	18.75	18.75	18.21	18.22	18.23	17.86	17.86	17.87	180
190	17.83	17.83	17.84	17.28	17.28	17.29	16.75	16.75	16.76	16.22	16.22	16.23	15.86	15.87	15.87	190
200	16.05	16.05	16.06	15.5	15.5	15.51	14.97	14.97	14.98	14.44	14.44	14.45	14.09	14.09	14.1	200
210	14.46	14.46	14.47	13.9	13.9	13.91	13.36	13.37	13.38	12.83	12.84	12.85	12.48	12.49	12.5	210
220	13.01	13.02	13.02	12.46	12.46	12.47	11.93	11.93	11.94	11.38	11.39	11.4	11.03	11.04	11.05	220
230	11.7	11.7	11.71	11.14	11.15	11.16	10.61	10.61	10.62	10.08	10.08	10.09	9.71	9.72	9.73	230
240	10.51	10.51	10.52	9.95	9.95	9.96	9.41	9.42	9.43	8.88	8.88	8.89	8.52	8.52	8.53	240
250				8.86	8.86	8.87	8.32	8.32	8.33	7.78	7.79	7.8	7.42	7.42	7.43	250
260							7.32	7.33	7.34	6.77	6.78	6.79	6.41	6.42	6.43	260
270										5.85	5.86	5.87	5.49	5.5	5.51	270
280													4.48	4.64	4.65	280

with 64,000 lbs carbody counterweight


240-280 ft

65 ft

195,000 lbs

19'8"

360°
75
75%

ft	240			250			260			270			280			ft
	5°	15°	25°	5°	15°	25°	5°	15°	25°	5°	15°	25°	5°	15°	25°	
60	52.15			52.18			51.92			51.35			46.04			60
70	51.04	45.69		51.09	45.56		50.83	45.21		50.37	44.31		43.27			70
80	49.92	44.91	32.64	49.94	44.91	32.62	49.74	44.54	32.6	49.43	42.85	32.57	40.73	34.03		80
90	48.84	44.22	32.64	48.86	44.21	32.62	48.81	43.95	32.6	47.16	41.21	32.57	36.99	32.71	28.64	90
100	47.67	41.54	32.64	47.98	39.45	32.62	47.78	43.14	32.6	44.58	38.37	32.57	35.07	31.43	27.81	100
110	44.46	38.77	31.55	43.91	38.88	31.92	43.37	38.72	32.42	42.33	36.97	32.57	33.24	30.13	26.94	110
120	39.57	38.15	29.99	39.04	38.28	30.37	38.52	38.25	30.85	38.01	35.59	31.22	31.57	28.82	26.09	120
130	34.94	34.95	28.46	34.41	34.41	28.96	33.89	33.9	29.42	33.38	33.38	29.8	29.89	27.51	25.13	130
140	31.04	31.04	27.29	30.49	30.49	27.68	29.97	29.98	28.12	29.45	29.45	28.51	28.48	26.31	24.3	140
150	27.68	27.68	26.11	27.13	27.13	26.52	26.61	26.62	26.63	26.09	26.09	26.1	25.73	25.24	23.37	150
160	24.77	24.77	24.78	24.23	24.24	24.25	23.71	23.71	23.72	23.18	23.18	23.19	22.81	22.82	22.43	160
170	22.23	22.24	22.25	21.69	21.69	21.7	21.16	21.16	21.17	20.63	20.64	20.65	20.28	20.28	20.29	170
180	19.99	19.99	20	19.44	19.45	19.45	18.92	18.93	18.94	18.39	18.39	18.4	18.03	18.03	18.04	180
190	18.01	18.01	18.02	17.46	17.46	17.47	16.93	16.93	16.94	16.39	16.4	16.4	16.03	16.04	16.05	190
200	16.23	16.23	16.24	15.68	15.68	15.69	15.15	15.15	15.16	14.62	14.62	14.63	14.25	14.25	14.26	200
210	14.63	14.63	14.64	14.07	14.08	14.09	13.54	13.55	13.56	13.01	13.02	13.03	12.66	12.66	12.67	210
220	13.19	13.19	13.2	12.63	12.63	12.64	12.09	12.1	12.11	11.56	11.57	11.58	11.2	11.21	11.22	220
230	11.87	11.88	11.89	11.32	11.32	11.33	10.79	10.79	10.8	10.25	10.26	10.27	9.89	9.9	9.91	230
240	10.68	10.68	10.7	10.12	10.13	10.14	9.59	9.59	9.6	9.06	9.06	9.07	8.69	8.7	8.71	240
250				9.03	9.04	9.05	8.49	8.5	8.51	7.96	7.96	7.98	7.6	7.6	7.61	250
260							7.49	7.5	7.51	6.94	6.95	6.96	6.59	6.6	6.61	260
270										6.02	6.03	6.04	5.67	5.67	5.68	270
280													4.74	4.81	4.82	280

with 64,000 lbs carbody counterweight

All information given are for reference only.

Crawler Cranes

American HC 275



275 t



240-270 ft



75 ft



195,000 lbs



19'8"



360°

75

75%

ft	240			250			260			270			ft
	5°	15°	25°	5°	15°	25°	5°	15°	25°	5°	15°	25°	
60	36.69			36.57			40.88						60
70	35.47	31.73		35.66	31.77		35.56			35.6			70
80	34.6	31.11	28.27	34.77	31.24		34.83	31.12		34.75	31.08		80
90	33.79	30.52	27.82	33.95	30.66	27.91	33.98	30.58	27.88	34	30.6	27.75	90
100	33.04	29.89	27.22	33.18	30.03	27.22	33.26	30.02	27.41	33.23	30.12	27.39	100
110	32.17	29.3	26.59	32.41	29.52	26.68	32.49	29.49	26.76	32.6	29.51	26.94	110
120	31.52	28.66	25.51	31.76	28.75	25.82	31.86	29.02	26.22	31.97	29.11	26.41	120
130	30.87	27.9	24.27	30.99	28.11	24.66	31.22	28.26	24.95	31.19	28.47	25.34	130
140	30.23	27.26	23.14	30.35	27.46	23.51	30.13	27.74	23.91	29.6	27.83	24.2	140
150	27.83	26.73	22.12	27.28	26.93	22.52	26.77	26.77	22.87	26.24	26.25	23.18	150
160	24.92	24.93	21.28	24.39	24.39	21.59	23.86	23.86	21.93	23.33	23.34	22.33	160
170	22.39	22.39	20.42	21.84	21.84	20.83	21.31	21.32	21.15	20.79	20.79	20.8	170
180	20.14	20.15	19.74	19.59	19.6	19.61	19.08	19.08	19.09	18.55	18.55	18.56	180
190	18.16	18.16	18.17	17.61	17.61	17.62	17.08	17.09	17.1	16.55	16.56	16.57	190
200	16.38	16.38	16.39	15.83	15.83	15.84	15.3	15.3	15.31	14.77	14.77	14.78	200
210	14.78	14.79	14.8	14.22	14.23	14.24	13.69	13.7	13.71	13.17	13.17	13.18	210
220	13.34	13.34	13.35	12.78	12.79	12.8	12.25	12.26	12.27	11.72	11.73	11.74	220
230	12.03	12.03	12.05	11.48	11.48	11.49	10.94	10.95	10.96	10.4	10.41	10.42	230
240	10.83	10.84	10.85	10.28	10.28	10.3	9.75	9.75	9.76	9.2	9.21	9.22	240
250				9.18	9.19	9.2	8.65	8.66	8.67	8.11	8.11	8.12	250
260							7.65	7.65	7.66	7.1	7.11	7.12	260
270										6.18	6.18	6.2	270

with 64,000 lbs carbody counterweight


240-270 ft

85 ft

195,000 lbs

19'8"

360°
75
75%

ft	240			250			260			270			ft
	5°	15°	25°	5°	15°	25°	5°	15°	25°	5°	15°	25°	
56													56
60	29.57			29.61									60
70	28.76			28.87			28.86			28.89			70
80	27.87	24.67		28.01	24.86		28.16	24.88		28.1	24.78		80
90	27.09	23.93	21.17	27.27	24.06	21.25	27.4	24.2	21.32	27.4	24.23	21.34	90
100	26.38	23.19	20.69	26.54	23.36	20.71	26.61	23.44	20.79	26.69	23.62	20.85	100
110	25.69	22.57	20.16	25.88	22.64	20.3	25.96	22.8	20.37	26.05	22.91	20.43	110
120	24.85	21.9	19.73	25.13	22.03	19.78	25.32	22.19	19.86	25.5	22.35	20.01	120
130	24.01	21.3	19.29	24.31	21.52	19.38	24.49	21.59	19.52	24.78	21.75	19.58	130
140	23.3	20.78	18.88	23.5	20.93	19.01	23.77	21.08	19.09	24.06	21.23	19.15	140
150	22.6	20.27	18.58	22.86	20.42	18.63	23.06	20.57	18.76	23.33	20.72	18.81	150
160	21.94	19.84	18.2	22.16	20	18.33	22.41	20.15	18.38	22.72	20.29	18.51	160
170	21.34	19.36	17.82	21.56	19.5	18.03	21.5	19.72	18.08	20.98	19.88	18.21	170
180	20.32	19	17.12	19.79	19.16	17.41	19.26	19.26	17.7	18.73	18.74	17.92	180
190	18.34	18.34	16.53	17.79	17.8	16.82	17.26	17.27	17.08	16.74	16.74	16.75	190
200	16.56	16.56	15.97	16.01	16.01	16.02	15.49	15.49	15.51	14.95	14.96	14.97	200
210	14.96	14.97	14.98	14.41	14.42	14.43	13.89	13.89	13.9	13.36	13.36	13.37	210
220	13.51	13.52	13.53	12.96	12.97	12.98	12.43	12.44	12.45	11.9	11.91	11.92	220
230	12.21	12.21	12.22	11.65	11.66	11.67	11.12	11.13	11.14	10.59	10.6	10.61	230
240	11.02	11.02	11.04	10.46	10.46	10.47	9.92	9.93	9.94	9.39	9.4	9.41	240
250				9.37	9.38	9.39	8.84	8.84	8.85	8.29	8.3	8.31	250
260							7.83	7.84	7.85	7.29	7.29	7.31	260
270										6.36	6.37	6.38	270

with 64,000 lbs carbody counterweight

All information given are for reference only.

Crawler Cranes

American HC 275



275 t



240-270 ft



95 ft



195,000 lbs



19'8"



360°

75

75%

ft	240			250			260			270			ft
	5°	15°	25°	5°	15°	25°	5°	15°	25°	5°	15°	25°	
61	24.72												61
70	23.92			24.1			24.1			24.19			70
80	23.2	19.79		23.36	19.87		23.43	19.96		23.49			80
90	22.44	19.15		22.65	19.22		22.67	19.3		22.78	19.37		90
100	21.54	18.48	16.26	21.74	18.63	16.29	21.96	18.68	16.36	22.12	18.82	16.4	100
110	20.73	17.88	15.83	20.96	18.01	15.86	21.11	18.14	15.97	21.26	18.2	16.02	110
120	19.96	17.33	15.45	20.19	17.48	15.48	20.34	17.6	15.59	20.57	17.73	15.63	120
130	19.25	16.88	15.06	19.42	17	15.1	19.65	17.07	15.21	19.89	17.2	15.25	130
140	18.6	16.36	14.69	18.81	16.54	14.79	18.97	16.62	14.83	19.19	16.74	14.93	140
150	17.99	15.91	14.38	18.19	16.09	14.48	18.41	16.2	14.57	18.62	16.29	14.61	150
160	17.37	15.54	14.12	17.59	15.65	14.16	17.8	15.75	14.25	18	15.91	14.31	160
170	16.85	15.16	13.81	17.07	15.27	13.9	17.26	15.37	13.96	17.47	15.54	14.06	170
180	16.4	14.79	13.54	16.58	14.89	13.62	16.81	15.05	13.71	16.99	15.16	13.8	180
190	15.91	14.42	13.33	16.14	14.58	13.42	16.36	14.69	13.5	16.54	14.85	13.58	190
200	15.46	14.11	13.12	15.69	14.26	13.2	15.6	14.38	13.23	15.07	14.54	13.32	200
210	15.07	13.86	12.92	14.53	13.94	13	14	14	13.03	13.47	13.47	13.11	210
220	13.63	13.54	12.71	13.08	13.09	12.79	12.55	12.56	12.57	12.02	12.03	12.04	220
230	12.32	12.33	12.34	11.77	11.78	11.79	11.24	11.25	11.26	10.71	10.72	10.73	230
240	11.13	11.13	11.15	10.57	10.58	10.59	10.04	10.05	10.06	9.51	9.52	9.53	240
250				9.48	9.48	9.5	8.94	8.95	8.96	8.41	8.42	8.43	250
260							7.95	7.95	7.97	7.4	7.41	7.42	260
270										6.48	6.48	6.5	270

with 64,000 lbs carbody counterweight