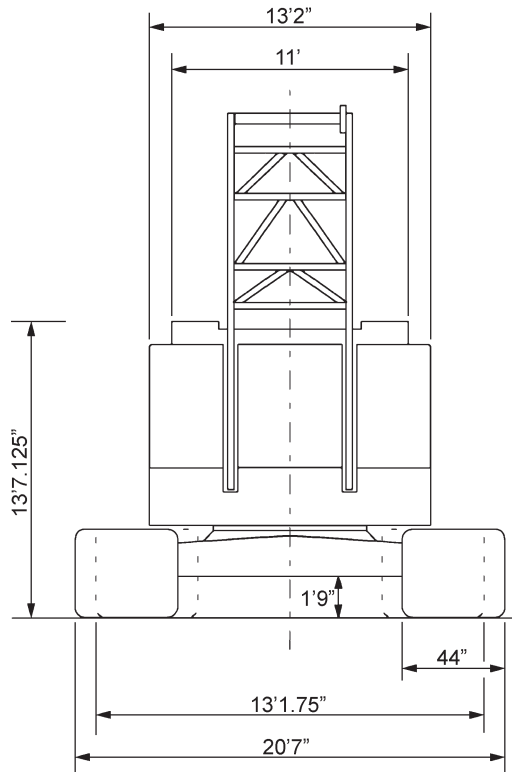
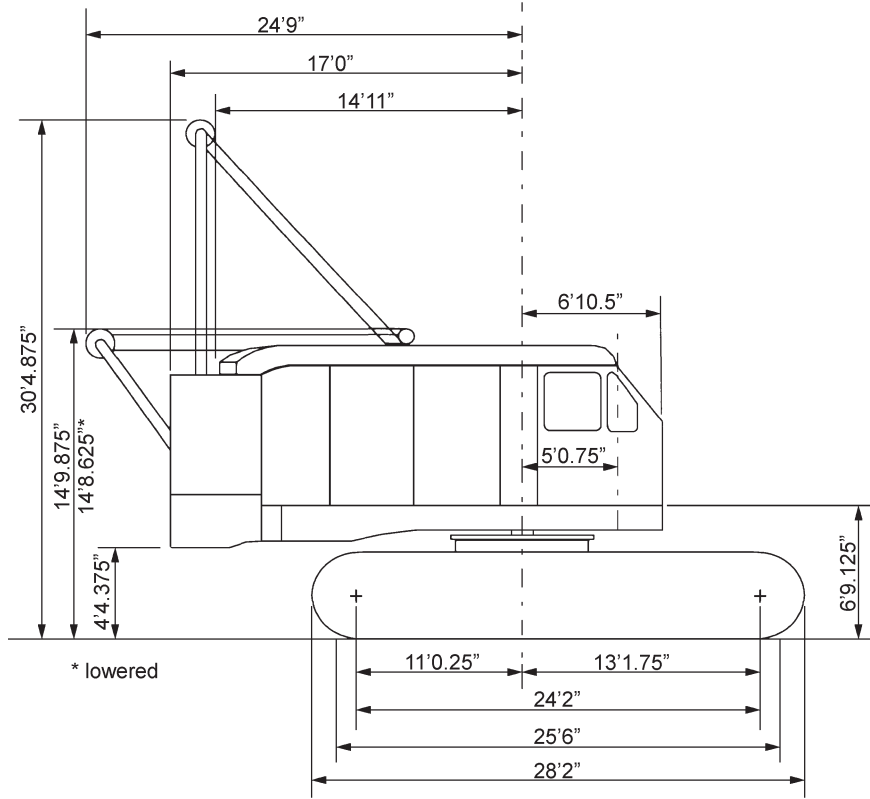
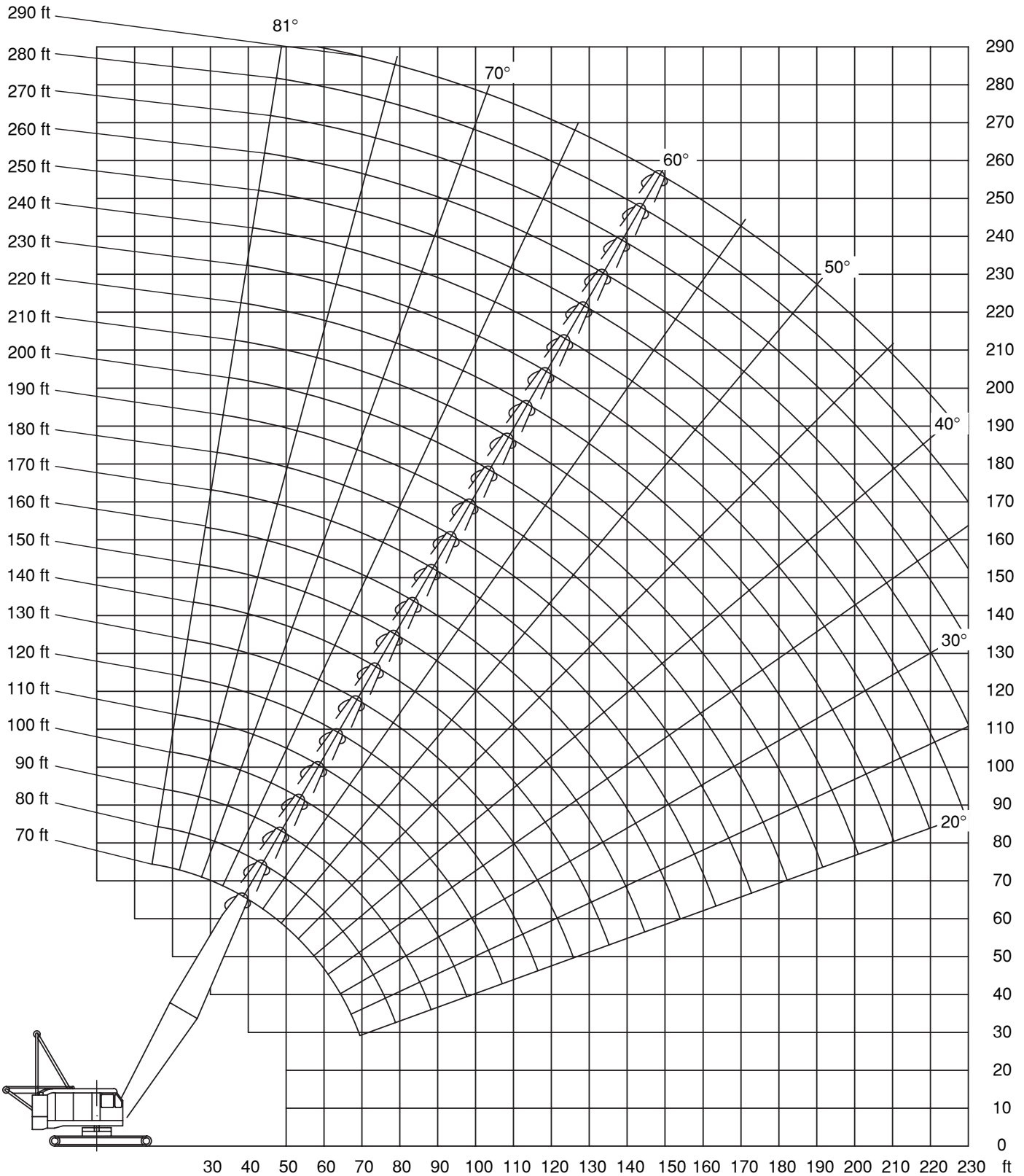


All information given are for reference only.



**225 t**




**70-160 ft**

**140,000 lbs**

**16'11"**

**360°**
**75**
**75%**

ft	70	80	90	100	110	120	130	140	150	160	ft
16	450										16
20	349.14	349.06	348.94								20
25	239.58	239.43	239.26	239.03	238.79	238.6	233.39	206.68			25
30	181.41	181.22	181	180.74	180.47	180.24	179.93	179.64	179.32	164.67	30
35	145.41	145.21	144.99	144.72	144.43	144.19	143.88	143.56	143.23	142.9	35
40	120.97	120.77	120.54	120.27	119.98	119.75	119.44	119.12	118.78	118.45	40
50	89.63	89.41	89.16	88.86	88.54	88.28	87.94	87.59	87.22	86.86	50
60	70.6	70.4	70.17	69.88	69.58	69.33	68.99	68.66	68.3	67.94	60
70	57.68	57.48	57.24	56.94	56.64	56.39	56.03	55.69	55.32	54.96	70
80		48.16	47.93	47.63	47.32	47.07	46.71	46.36	45.98	45.61	80
90			40.9	40.73	40.46	40.24	39.91	39.59	39.23	38.88	90
100				35.19	34.93	34.72	34.4	34.07	33.71	33.36	100
110					30.48	30.29	29.97	29.64	29.28	28.92	110
120						26.63	26.32	26	25.64	25.29	120
130							23.26	22.95	22.6	22.24	130
140								20.35	20.01	19.66	140
150									17.79	17.44	150
160										15.52	160

All information given are for reference only.

**225 t****Crawler Cranes**

American 9310 A

**170-260 ft****140,000 lbs****16'11"****360°****75****75%**

ft	170	180	190	200	210	220	230	240	250	260	ft
30	147.55	134.5									30
35	142.61	134.5	120.61	110.09	100.37	92.13					35
40	118.16	117.82	117.48	110.09	100.37	92.13	84.66	76.14	70.24	64.6	40
50	86.55	86.17	85.8	85.42	85.05	84.71	84.32	76.14	70.07	64.44	50
60	67.63	67.26	66.9	66.52	66.15	65.82	65.44	65.07	64.69	63.56	60
70	54.64	54.26	53.88	53.49	53.11	52.76	52.37	51.99	51.59	51.2	70
80	45.28	44.9	44.51	44.11	43.72	43.36	42.96	42.58	42.18	41.78	80
90	38.57	38.21	37.84	37.46	37.09	36.75	36.38	36	35.62	35.23	90
100	33.05	32.68	32.31	31.94	31.56	31.21	30.83	30.45	30.07	29.68	100
110	28.61	28.24	27.88	27.49	27.11	26.77	26.38	26	25.61	25.22	110
120	24.98	24.6	24.23	23.84	23.47	23.12	22.73	22.34	21.95	21.55	120
130	21.94	21.56	21.19	20.8	20.42	20.07	19.68	19.29	18.89	18.49	130
140	19.35	18.98	18.6	18.22	17.83	17.49	17.09	16.7	16.3	15.91	140
150	17.14	16.76	16.39	16	15.61	15.27	14.87	14.48	14.08	13.68	150
160	15.21	14.84	14.47	14.07	13.69	13.34	12.94	12.55	12.15	11.75	160
170	13.52	13.15	12.78	12.39	12	11.65	11.25	10.86	10.46	10.06	170
180		11.66	11.29	10.9	10.51	10.16	9.77	9.37	8.97	8.57	180
190			9.97	9.57	9.19	8.84	8.44	8.05	7.64	7.24	190
200				8.39	8.01	7.65	7.26	6.86	6.45	6.05	200
210					6.95	6.59	6.19	5.79	5.38	4.98	210
220						5.64	5.23	4.83	4.42	4.01	220
230							4.36	3.96	3.55		230