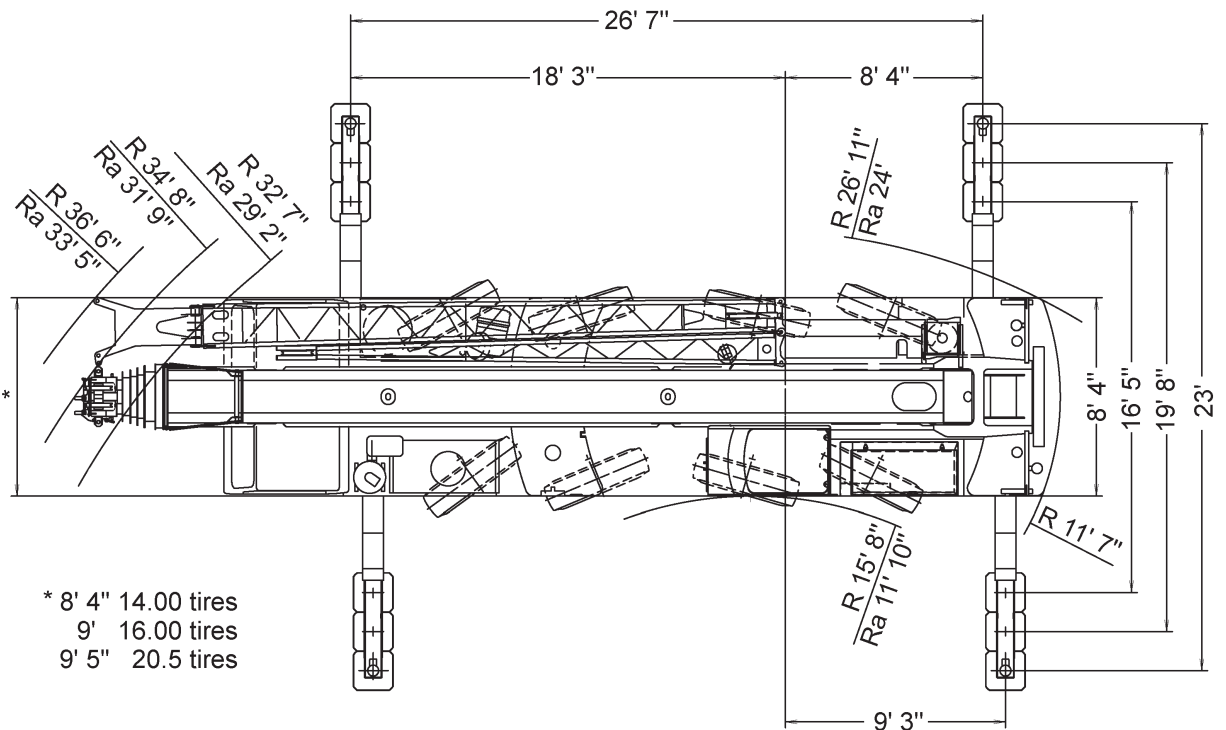
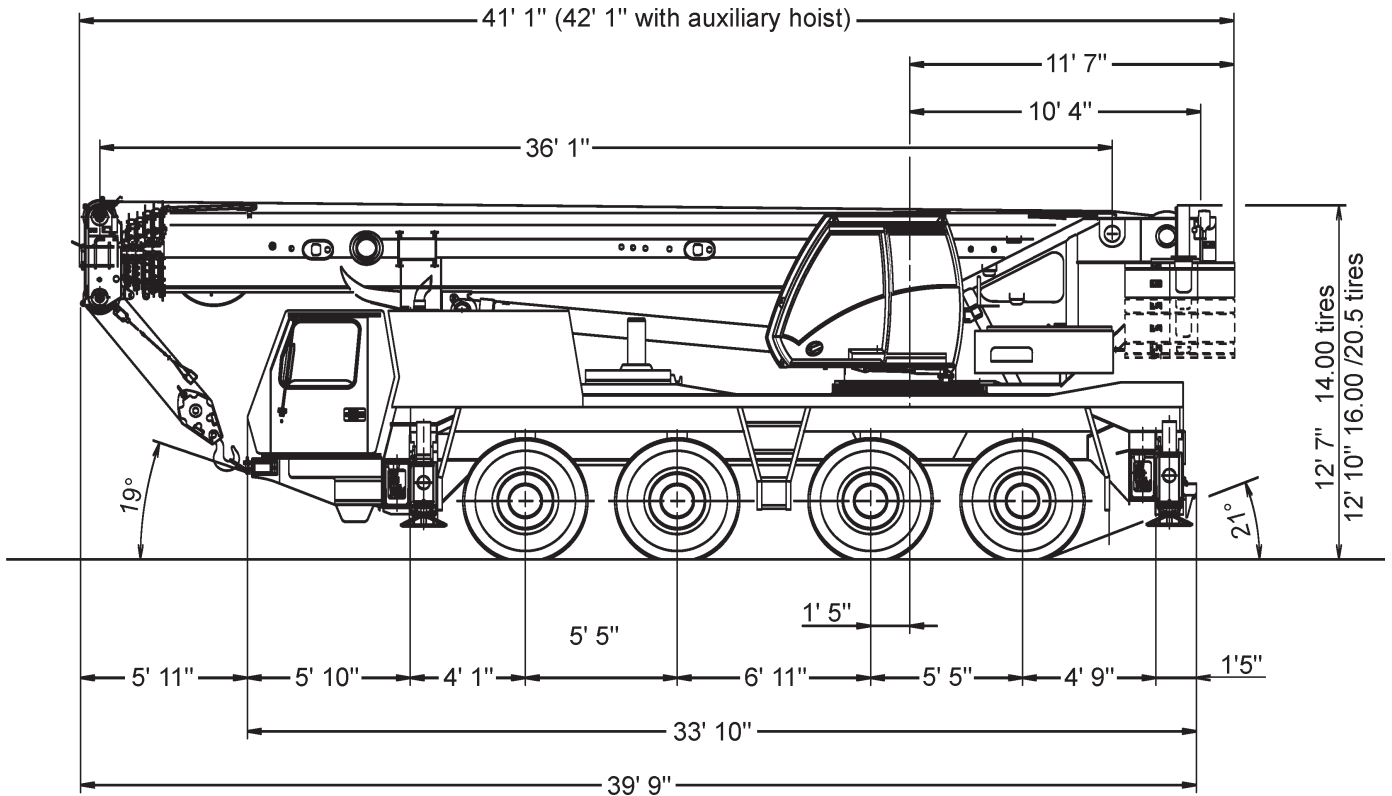
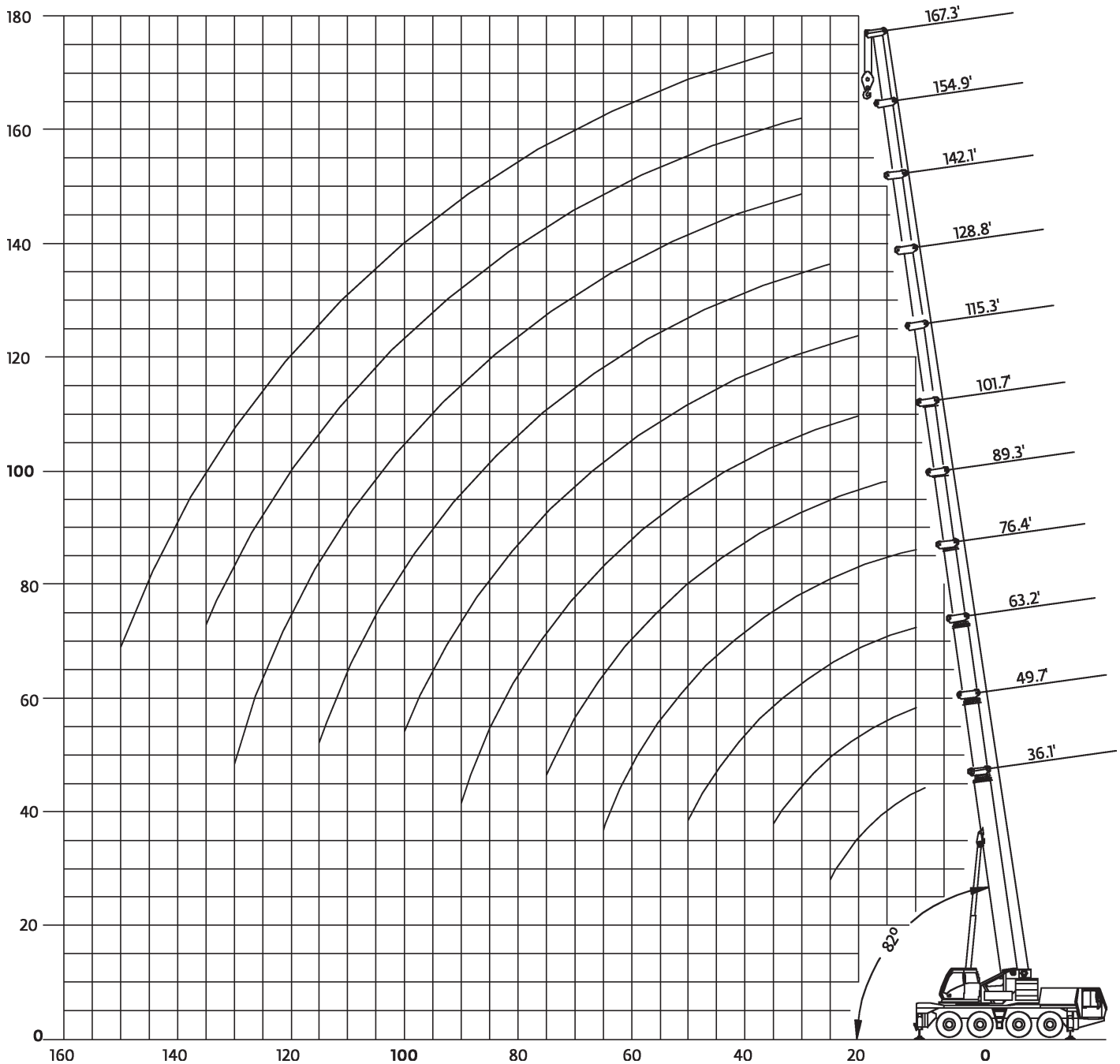


All information given are for reference only.



* 8' 4" 14.00 tires
9' 16.00 tires
9' 5" 20.5 tires

07-2012




36.1-167.3 ft

42,500 lbs

26'7"x23'

360°
85
85%

All information given are for reference only.

ft	36.1	49.7	63.2	76.4	89.3	101.7	115.3	128.8	142.1	154.9	167.3	ft
8	200*											8
10	154	132	123	109								10
15	114	109	102	95	80							15
20	92	90	87	81	76	61	45					20
25	71	73	73	67	66	58	45	33.8				25
30		59	56	56	52	51	41.8	33.8	25.4	19.6		30
35		47	48	45	45	42.2	37.8	33	25.4	19.6	15.8	35
40			38.8	38	38	35.6	33.4	30.4	25.4	19.6	15.8	40
45			32.4	32.6	32.6	30.4	28.6	27.6	25.4	19.6	15.8	45
50			27.4	28.8	28.4	26.4	25.2	23.8	23.6	19.6	15.8	50
55				24.8	24.4	23	23.6	20.8	20.6	19.4	15.8	55
60				21.6	21.4	20.4	20.8	18.2	18.2	18.2	15.8	60
65				19.2	18.8	19	18.6	16.6	16	16.2	15.6	65
70					16.6	17.4	16.6	15.6	14.6	14.4	14.8	70
75					14.6	15.6	14.6	14.8	13.6	13.4	13.2	75
80						14	13	13.4	12.8	12.4	11.8	80
85						12.4	11.6	12	12	11.4	10.8	85
90						9.4	10.4	10.8	10.8	10.6	9.6	90
95							9.2	9.8	9.8	9.6	8.8	95
100							8.4	9	8.8	8.6	7.8	100
105								8.4	8	7.8	7	105
110								7.8	7.4	7	6.4	110
115								4.2	6.8	6.2	5.6	115
120									6	5.6	5	120
125									3.4	5	4.4	125
130									2.8	4.4	3.8	130
135										4	3.4	135
140											2.8	140
145											2.4	145
150											2	150

* 0° over rear with special equipment

Loads above 130,000 lb require additional equipment

100 t**All Terrain Cranes**

Grove GMK 4100 B

**36.1-167.3 ft****37,000 lbs****26'7" x 23'****360°****85****85%**

ft	36.1	49.7	63.2	76.4	89.3	101.7	115.3	128.8	142.1	154.9	167.3	ft
10	154	132	123	109								10
15	114	109	102	95	80							15
20	92	90	87	81	76	61	45					20
25	71	72	68	65	62	58	45	33.8				25
30		57	54	52	51	48	41.8	33.8	25.4	19.6		30
35		44	45	42.6	42.4	39.6	37.2	33	25.4	19.6	15.8	35
40			36.4	36	35.6	33.2	31.2	30	25.4	19.6	15.8	40
45			30.2	31.6	30.6	28.4	27	25.6	25.2	19.6	15.8	45
50			25.6	26.8	26.4	24.4	25	22	21.8	19.6	15.8	50
55				23.2	22.8	21.4	21.8	19.2	19	19.2	15.8	55
60				20.2	19.8	20.2	19.4	17.6	16.6	16.8	15.8	60
65				17.8	17.4	18.2	17.2	16.6	15.6	15.4	15.2	65
70					15.2	16.2	15.2	15.4	14.6	14.4	13.4	70
75					13.4	14.4	13.4	13.8	13.6	13	12	75
80						12.8	12	12.4	12.2	11.8	10.8	80
85						11.4	10.6	11	11	10.6	9.6	85
90						8.6	9.4	10.2	10	9.6	8.6	90
95							8.4	9.4	9	8.6	7.8	95
100							7.4	8.6	8.2	7.8	7	100
105								7.8	7.4	7	6.2	105
110								7.2	6.6	6.2	5.6	110
115								3.4	6	5.6	4.8	115
120									5.4	4.8	4.2	120
125									2.6	4.4	3.6	125
130									2.2	3.8	3.2	130
135										3.4	2.6	135
140											2.2	140
145											1.8	145

Loads above 130,000 lb require additional equipment


36.1-167.3 ft

20,500 lbs

26'7"x23'

360°
85
85%

ft	36.1	49.7	63.2	76.4	89.3	101.7	115.3	128.8	142.1	154.9	167.3	ft
10	154	132	123	109								10
15	114	109	102	95	80							15
20	85	80	74	67	65	61	45					20
25	60	58	56	53	52	48	44	33.8				25
30		45	43.6	43.2	40.8	37.6	35	33.4	25.4	19.6		30
35		34.6	36.6	35.2	33.2	30.8	30.8	27.4	25.4	19.6	15.8	35
40			29.6	29.4	27.6	27.2	25.8	23.6	22.4	19.6	15.8	40
45			24.4	24.8	23.4	23.8	22	21.8	20.4	19	15.8	45
50			20.6	20.8	20.2	20.6	19	18.8	18.6	17.6	15.8	50
55				17.8	17.4	18	16.4	16.8	16.4	15.4	14.2	55
60				15.8	14.8	15.8	14.4	15.2	14.4	13.4	12.4	60
65				14	12.8	13.6	13.2	13.6	12.8	11.8	10.8	65
70					11	12	12.2	12	11.2	10.4	9.4	70
75					9.6	10.4	11	10.8	10	9.2	8.2	75
80						9.6	9.8	9.6	9	8.2	7.2	80
85						8.8	8.6	8.4	8	7.2	6.2	85
90						5.2	7.6	7.4	7	6.4	5.4	90
95							6.8	6.6	6.2	5.6	4.6	95
100							4.6	5.8	5.4	4.8	4	100
105								5.2	4.6	4.2	3.4	105
110								4.4	4	3.6	2.8	110
115									3.4	3	2.2	115
120									3	2.4	1.8	120
125										2		125

Loads above 130,000 lb require additional equipment

All information given are for reference only.

All Terrain Cranes

Hydraulic Truck Cranes

Boom Trucks

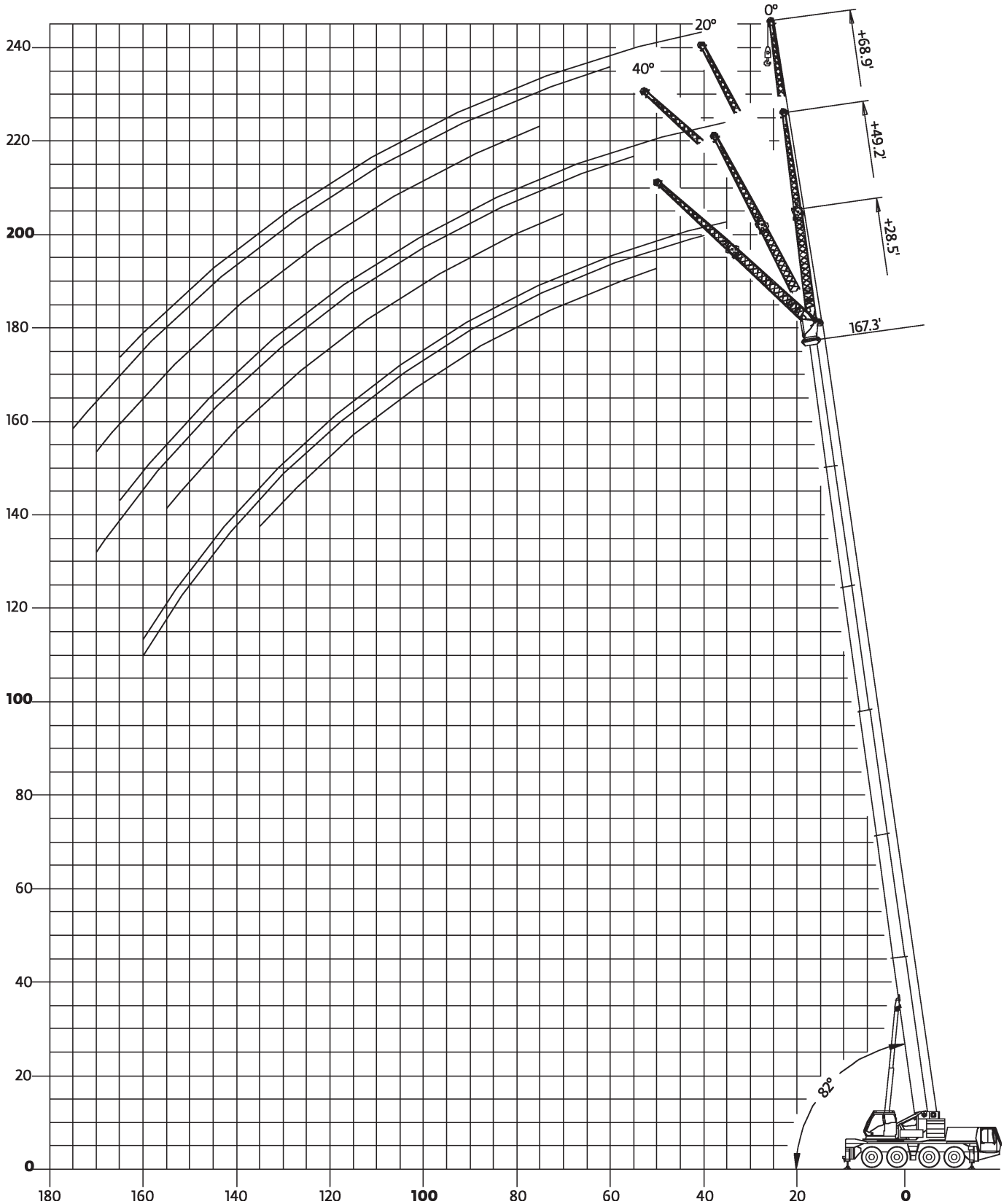
Carry Decks

Rough Terrain Cranes

Crawler Cranes

Tower Cranes

General Information




167.3 ft

28.5/49.2/68.9 ft

42,500 lbs

26'7"x23'

360°
85
85%
Hydraulic luffing

ft	28.5			49.2			68.9			ft
	0°	0°-20°	20°-40°	0°	0°-20°	20°-40°	0°	0°-20°	20°-40°	
35	8.6			5						35
40	8.6	8.6		5			4.2			40
45	8.6	8.6		5			4.2			45
50	8.6	8.6	7.4	5			4.2			50
55	8.6	8.4	7.4	5	5		4.2			55
60	8.6	8.4	7.2	5	4.8		4.2	4.2		60
65	8.6	8.2	7.2	5	4.6		4.2	4.2		65
70	8.6	8	7	5	4.6	3.8	4.2	4.2		70
75	8.6	7.8	7	5	4.4	3.8	4.2	4.2	3.6	75
80	8.6	7.8	7	5	4.4	3.6	4.2	4.2	3.6	80
85	8.6	7.6	6.8	5	4.2	3.6	4.2	4.2	3.6	85
90	8.6	7.4	6.8	5	4.2	3.6	4.2	4	3.6	90
95	8.4	7.4	6.8	5	4	3.6	4.2	4	3.4	95
100	7.6	7.2	6.8	5	4	3.4	4.2	4	3.4	100
105	6.8	6.8	6.8	4.8	3.8	3.4	4.2	3.8	3.4	105
110	6	6	6.6	4.6	3.8	3.4	4.2	3.8	3.4	110
115	5.4	5.4	5.8	4.6	3.8	3.4	4.2	3.8	3.4	115
120	4.8	4.8	5.2	4.4	3.6	3.4	4.2	3.6	3.4	120
125	4.4	4.4	4.6	4.4	3.6	3.4	4.2	3.6	3.4	125
130	3.8	3.8	4.2	4.2	3.6	3.4	4.2	3.6	3.4	130
135	3.4	3.4	3.6	3.8	3.6	3.4	3.8	3.6	3.2	135
140	2.8	2.8		3.4	3.4	3.4	3.2	3.2	3.2	140
145	2.4	2.4		3	3	3.4	3	3	3.2	145
150	2	2		2.6	2.6	3.2	2.6	2.6	3	150
155	1.6	1.6		2.2	2.2	2.8	2.2	2.2	2.6	155
160	1.4	1.4		1.8	1.8		1.8	1.8	2.4	160
165				1.6	1.6		1.6	1.6	2	165
170									1.6	170

All information given are for reference only.

All Terrain Cranes

Hydraulic Truck Cranes

Boom Trucks

Carry Decks

Rough Terrain Cranes

Crawler Cranes

Tower Cranes

General Information

100 t**All Terrain Cranes**

Grove GMK 4100 B

**167.3 ft****28.5/49.2/68.9 ft****37,000 lbs****26'7"x23'****360°****85****85%****Hydraulic luffing**

ft	28.5			49.2			68.9			ft
	0°	0°-20°	20°-40°	0°	0°-20°	20°-40°	0°	0°-20°	20°-40°	
35	8.6			5						35
40	8.6	8.6		5			4.2			40
45	8.6	8.6		5			4.2			45
50	8.6	8.6	7.4	5			4.2			50
55	8.6	8.4	7.4	5	5		4.2			55
60	8.6	8.4	7.2	5	4.8		4.2	4.2		60
65	8.6	8.2	7.2	5	4.6		4.2	4.2		65
70	8.6	8	7	5	4.6	3.8	4.2	4.2		70
75	8.6	7.8	7	5	4.4	3.8	4.2	4.2	3.6	75
80	8.6	7.8	7	5	4.4	3.6	4.2	4.2	3.6	80
85	8.6	7.6	6.8	5	4.2	3.6	4.2	4.2	3.6	85
90	8.2	7.4	6.8	5	4.2	3.6	4.2	4	3.6	90
95	7.4	7.4	6.8	5	4	3.6	4.2	4	3.4	95
100	6.6	6.6	6.8	5	4	3.4	4.2	4	3.4	100
105	6	6	6.4	4.8	3.8	3.4	4.2	3.8	3.4	105
110	5.2	5.2	5.8	4.6	3.8	3.4	4.2	3.8	3.4	110
115	4.6	4.6	5	4.6	3.8	3.4	4.2	3.8	3.4	115
120	4.2	4.2	4.6	4.4	3.6	3.4	4.2	3.6	3.4	120
125	3.6	3.6	4	4	3.6	3.4	4	3.6	3.4	125
130	3.2	3.2	3.4	3.6	3.6	3.4	3.4	3.4	3.4	130
135	2.6	2.6	3	3.2	3.2	3.4	3	3	3.2	135
140	2.2	2.2		2.8	2.8	3.4	2.6	2.6	3.2	140
145	1.8	1.8		2.4	2.4	3	2.2	2.2	2.8	145
150	1.4	1.4		2	2	2.6	2	2	2.4	150
155				1.6	1.6	2.2	1.6	1.6	2.2	155
160				1.4	1.4		1.4	1.4	1.8	160
165									1.4	165


167.3 ft

28.5/49.2/68.9 ft

42,500 lbs

26'7"x23'

360°
85
85%

All information given are for reference only.

ft	28.5			49.2			68.9			ft
	0°	20°	40°	0°	20°	40°	0°	20°	40°	
35	8.6			5						35
40	8.6	8.6		5			4.2			40
45	8.6	8.6		5			4.2			45
50	8.6	8.6	7.4	5			4.2			50
55	8.6	8.4	7.4	5	5		4.2			55
60	8.6	8.4	7.2	5	4.8		4.2	4.2		60
65	8.6	8.2	7.2	5	4.6		4.2	4.2		65
70	8.6	8	7	5	4.6	3.8	4.2	4.2		70
75	8.6	7.8	7	5	4.4	3.8	4.2	4.2	3.6	75
80	8.6	7.8	7	5	4.4	3.6	4.2	4.2	3.6	80
85	8.6	7.6	6.8	5	4.2	3.6	4.2	4.2	3.6	85
90	8.6	7.4	6.8	5	4.2	3.6	4.2	4	3.6	90
95	8.4	7.4	6.8	5	4	3.6	4.2	4	3.4	95
100	7.6	7.2	6.8	5	4	3.4	4.2	4	3.4	100
105	6.8	7.2	6.8	4.8	3.8	3.4	4.2	3.8	3.4	105
110	6	6.6	6.8	4.6	3.8	3.4	4.2	3.8	3.4	110
115	5.4	5.8	6.2	4.6	3.8	3.4	4.2	3.8	3.4	115
120	4.8	5.2	5.4	4.4	3.6	3.4	4.2	3.6	3.4	120
125	4.4	4.6	4.8	4.4	3.6	3.4	4.2	3.6	3.4	125
130	3.8	4.2	4.4	4.2	3.6	3.4	4.2	3.6	3.4	130
135	3.4	3.6	3.8	3.8	3.6	3.4	3.8	3.6	3.2	135
140	2.8	3.2		3.4	3.4	3.4	3.2	3.4	3.2	140
145	2.4	2.6		3	3.4	3.4	3	3.4	3.2	145
150	2	2.2		2.6	3.2	3.4	2.6	3	3.2	150
155	1.6	1.8		2.2	2.8	3	2.2	2.6	3	155
160	1.4	1.4		1.8	2.4		1.8	2.4	2.6	160
165				1.6	2		1.6	2	2.2	165
170					1.6			1.6	1.8	170
175								1.4		175

All Terrain Cranes

Hydraulic Truck Cranes

Boom Trucks

Carry Decks

Rough Terrain Cranes

Crawler Cranes

Tower Cranes

General Information

100 t**All Terrain Cranes**

Grove GMK 4100 B

**167.3 ft****28.5/49.2/68.9 ft****37,000 lbs****26'7"x23'****360°****85****85%**

ft	28.5			49.2			68.9			ft
	0°	20°	40°	0°	20°	40°	0°	20°	40°	
35	8.6			5						35
40	8.6	8.6		5			4.2			40
45	8.6	8.6		5			4.2			45
50	8.6	8.6	7.4	5			4.2			50
55	8.6	8.4	7.4	5	5.0		4.2			55
60	8.6	8.4	7.2	5	4.8		4.2	4.2		60
65	8.6	8.2	7.2	5	4.6		4.2	4.2		65
70	8.6	8.0	7.0	5	4.6	3.8	4.2	4.2		70
75	8.6	7.8	7.0	5	4.4	3.8	4.2	4.2	3.6	75
80	8.6	7.8	7.0	5	4.4	3.6	4.2	4.2	3.6	80
85	8.6	7.6	6.8	5	4.2	3.6	4.2	4.2	3.6	85
90	8.2	7.4	6.8	5	4.2	3.6	4.2	4.0	3.6	90
95	7.4	7.4	6.8	5	4.0	3.6	4.2	4.0	3.4	95
100	6.6	7.2	6.8	5	4.0	3.4	4.2	4.0	3.4	100
105	6	6.4	6.8	4.8	3.8	3.4	4.2	3.8	3.4	105
110	5.2	5.8	6.0	4.6	3.8	3.4	4.2	3.8	3.4	110
115	4.6	5.0	5.4	4.6	3.8	3.4	4.2	3.8	3.4	115
120	4.2	4.6	4.8	4.4	3.6	3.4	4.2	3.6	3.4	120
125	3.6	4.0	4.2	4	3.6	3.4	4	3.6	3.4	125
130	3.2	3.4	3.6	3.6	3.6	3.4	3.4	3.6	3.4	130
135	2.6	3.0	3.2	3.2	3.6	3.4	3	3.6	3.2	135
140	2.2	2.6		2.8	3.4	3.4	2.6	3.2	3.2	140
145	1.8	2.0		2.4	3.0	3.2	2.2	2.8	3.2	145
150	1.4	1.6		2	2.6	2.8	2	2.4	2.8	150
155		1.4		1.6	2.2	2.4	1.6	2.2	2.4	155
160				1.4	1.8		1.4	1.8	2.0	160
165					1.4			1.4	1.8	165
170									1.4	170